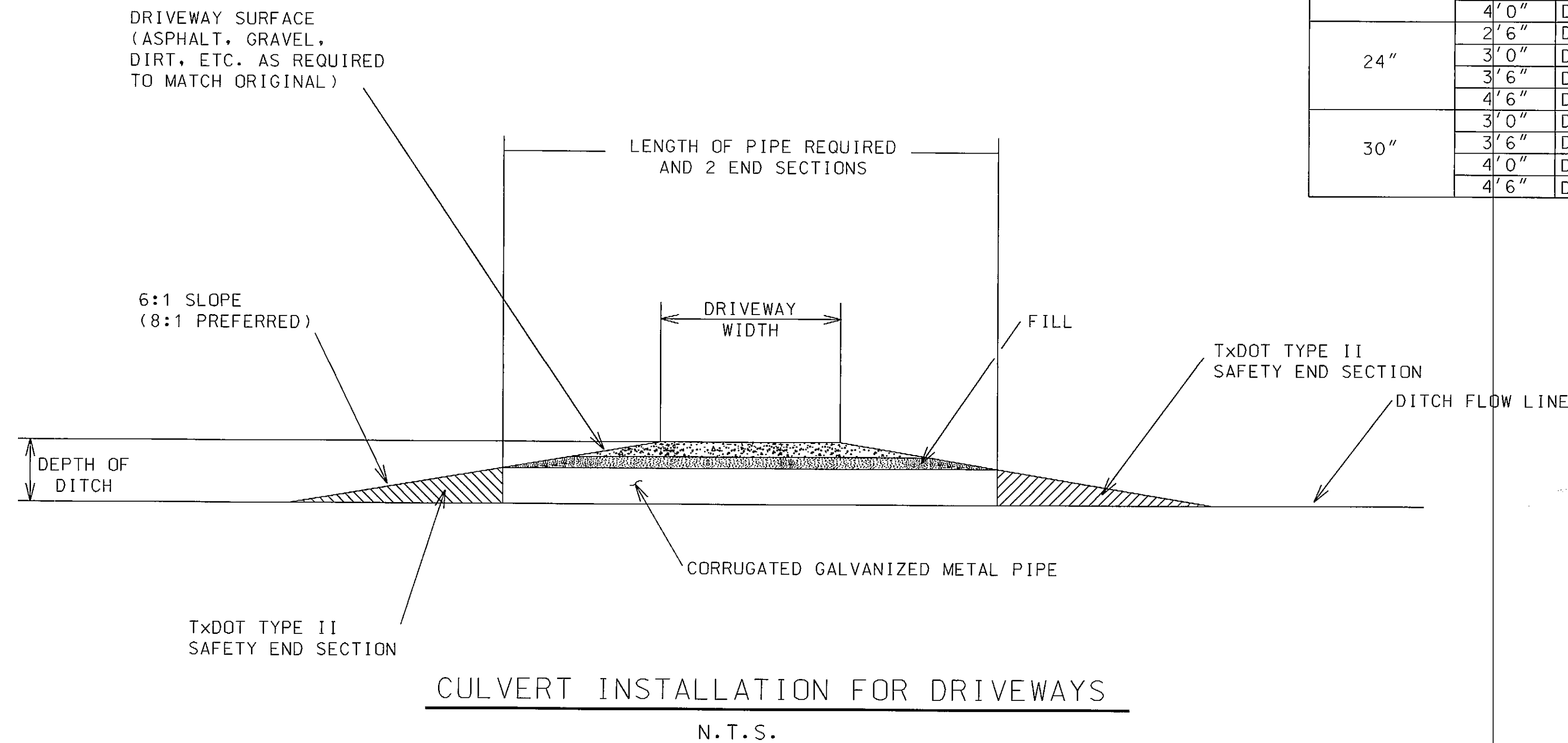
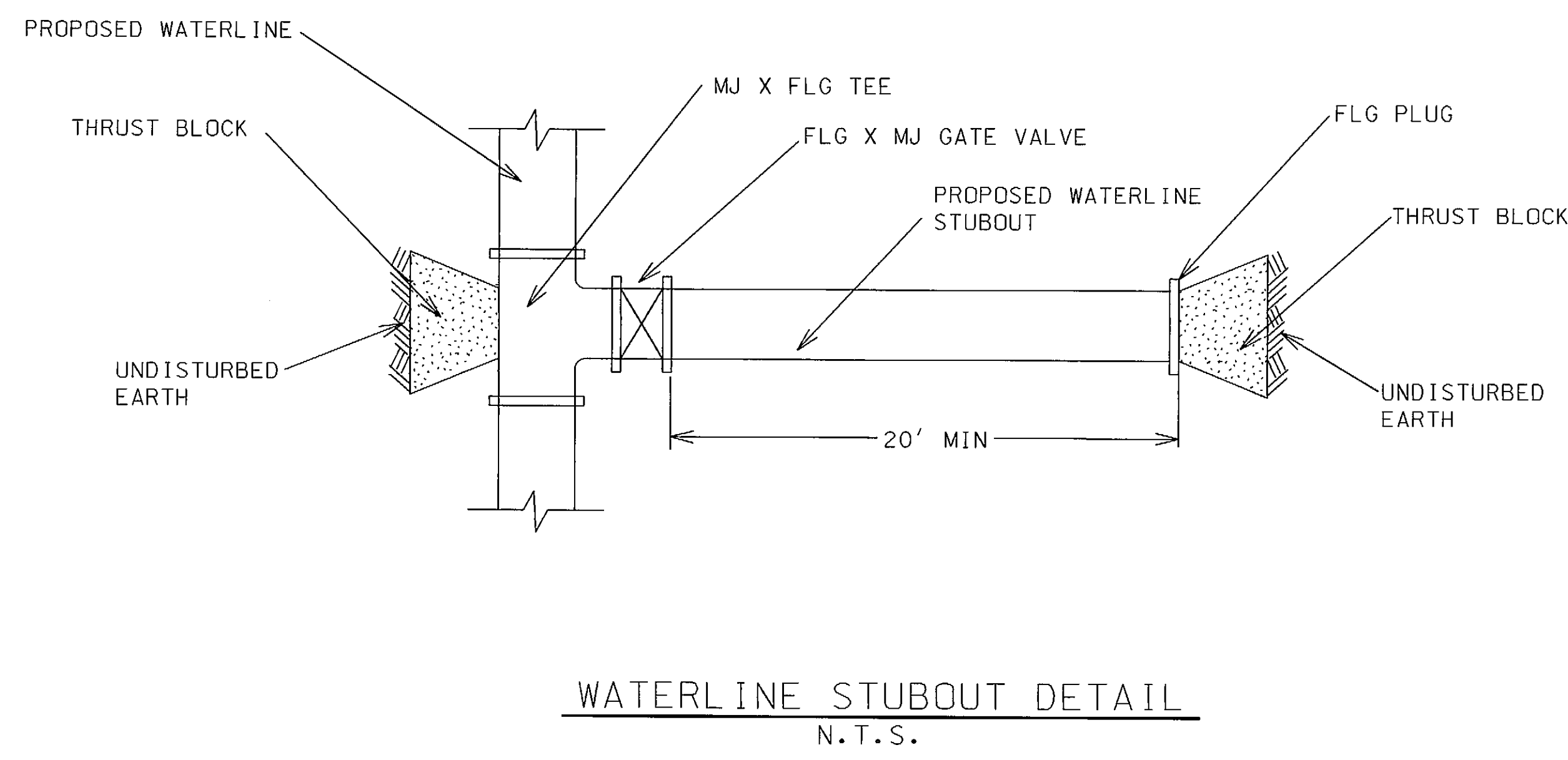


DIA. OF PIPE	DEPTH OF DITCH	MINIMUM REQUIRED PIPE LENGTH
18"	2'0"	DRIVEWAY WIDTH + 6'
	2'6"	DRIVEWAY WIDTH + 12'
	3'0"	DRIVEWAY WIDTH + 18'
	3'6"	DRIVEWAY WIDTH + 24'
24"	2'6"	DRIVEWAY WIDTH + 6'
	3'0"	DRIVEWAY WIDTH + 12'
	3'6"	DRIVEWAY WIDTH + 18'
	4'0"	DRIVEWAY WIDTH + 24'
30"	3'0"	DRIVEWAY WIDTH + 6'
	3'6"	DRIVEWAY WIDTH + 12'
	4'0"	DRIVEWAY WIDTH + 18'
	4'6"	DRIVEWAY WIDTH + 24'



**RECORD DRAWING**  
 VERIFIED BY *V. Orange Lima*  
 DATE 11-27-01

STATE OF TEXAS  
 REGISTERED PROFESSIONAL ENGINEER  
 TED B. SUGG  
 82775  
*Ted Sugg*  
 2-18-99



NOTE:  
 A MINIMUM OF 20 LF OF PROPOSED WATERLINE MUST BE INSTALLED BEYOND THE VALVE ON A PROPOSED WATERLINE STUBOUT. A PLUG AND CONCRETE THRUST BLOCKING MUST BE INSTALLED AT THE END OF THE 20 LF OF PIPE.

**CITY OF ROCKWALL**  
 "THE NEW HORIZON"

IH-30 AND F.M. 549  
 WATER LINE IMPROVEMENT

STANDARD WATER DETAILS

**Turner Collie & Braden Inc.**  
 ENGINEERS • PLANNERS • PROJECT MANAGERS

Unit	A103	Scale	N.T.S.	Date	FEBRUARY, 1999
Designed	TCB	Checked	DWN	Job No.	15-98925-200
Drawn	JLC	Approved	RCR	SHEET 31 OF 33	

P:\ROCKWALL\IH30\DRAWINGS\DETAIL-STUBOUT