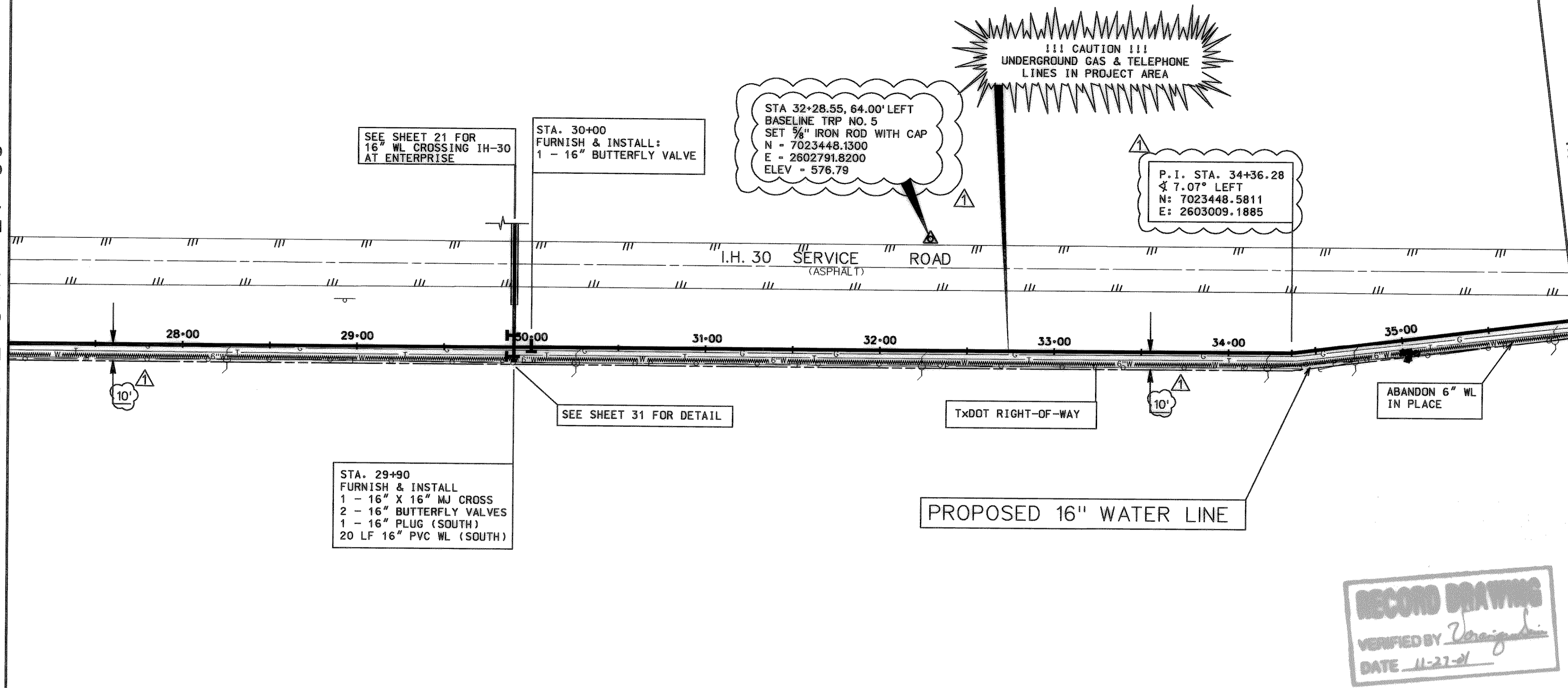


MATCH LINE STA. 27+00

MATCH LINE STA. 36+00



SEE SHEET 21 FOR 16" WL CROSSING IH-30 AT ENTERPRISE

STA. 30+00 FURNISH & INSTALL: 1 - 16" BUTTERFLY VALVE

STA 32+28.55, 64.00' LEFT BASELINE TRP NO. 5 SET 3/4" IRON ROD WITH CAP N = 7023448.1300 E = 2602791.8200 ELEV = 576.79

!!! CAUTION !!! UNDERGROUND GAS & TELEPHONE LINES IN PROJECT AREA

P. I. STA. 34+36.28 4 7.07' LEFT N: 7023448.5811 E: 2603009.1885

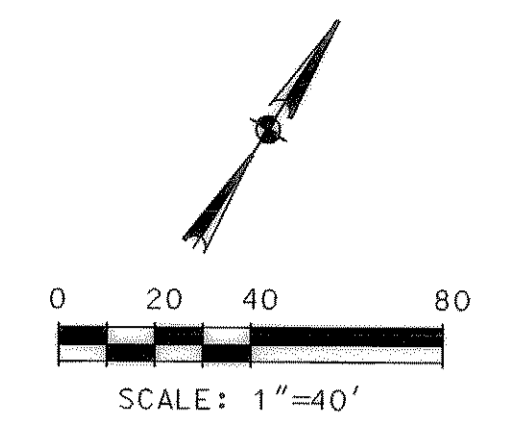
STA. 29+90 FURNISH & INSTALL 1 - 16" X 16" MJ CROSS 2 - 16" BUTTERFLY VALVES 1 - 16" PLUG (SOUTH) 20 LF 16" PVC WL (SOUTH)

SEE SHEET 31 FOR DETAIL

PROPOSED 16" WATER LINE

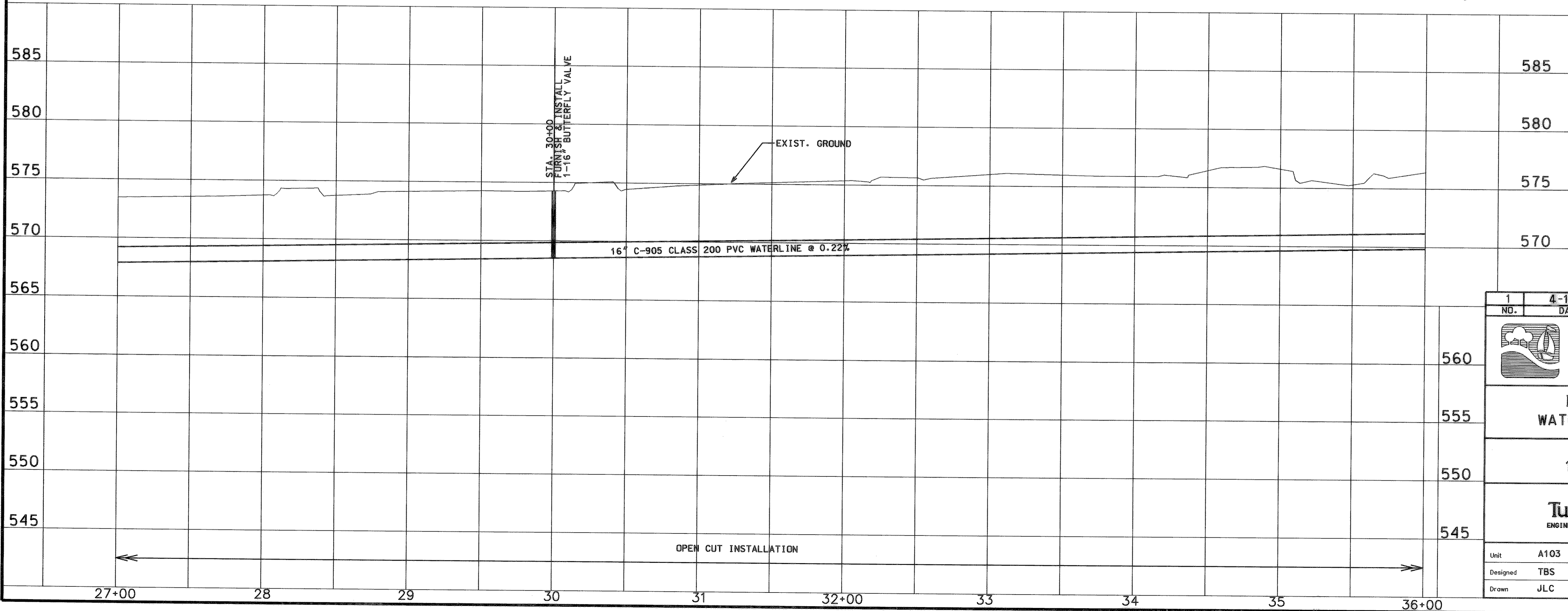
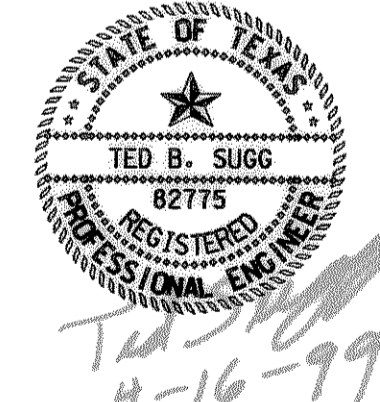
ABANDON 6" WL IN PLACE

RECORD DRAWING
VERIFIED BY [Signature]
DATE 11-27-99



LEGEND	
[Symbol]	POWER POLE
[Symbol]	GUY WIRE
[Symbol]	TELEPHONE BOX
[Symbol]	POST
[Symbol]	SIGN
[Symbol]	IRON ROD
[Symbol]	FIRE HYDRANT
[Symbol]	WATER METER
[Symbol]	MAILBOX
[Symbol]	WATER METER
[Symbol]	IRRIGATION CONTROL VALVE
[Symbol]	GUARD RAIL
[Symbol]	GAS METER
[Symbol]	GROUND LIGHT
[Symbol]	CHAIN LINK FENCE
[Symbol]	WOOD FENCE
[Symbol]	ASH TREE
[Symbol]	OAK TREE
[Symbol]	CEDAR TREE
[Symbol]	BARBED WIRE FENCE
[Symbol]	REFLECTOR
[Symbol]	APPROXIMATE TELEPHONE LINE
[Symbol]	APPROXIMATE GAS LINE
[Symbol]	APPROXIMATE WATER LINE
[Symbol]	OVERHEAD POWER LINE
[Symbol]	PINE TREE
[Symbol]	PECAN TREE

UNDERGROUND UTILITIES
THE LOCATION OF EXISTING UTILITIES SHOWN ON THESE PLANS ARE APPROXIMATE AND BASED ON DATA FURNISHED BY UTILITY COMPANIES. IT IS THE RESPONSIBILITY OF THE CONTRACTOR TO LOCATE AND VERIFY ON-SITE THE UTILITIES THAT MAY CONFLICT WITH THE CONSTRUCTION.



1	4-16-99	REALIGNMENT	TBS
NO.	DATE	REVISION	APPROV
CITY OF ROCKWALL "THE NEW HORIZON"			
I.H. 30 AND FM 549 WATER LINE IMPROVEMENTS			
UTILITY PLAN AND PROFILE 16" PVC WATER LINE STA. 27+00 TO STA. 36+00			
TurnerCollie & Braden Inc. ENGINEERS • PLANNERS • PROJECT MANAGERS			
Unit	A103	Scale: Horz. 1"=40' Vert. 1"=5'	Date FEBRUARY • 1999
Designed	TBS	Checked DWN	Job No. 15-98925-200
Drawn	JLC	Approved RCR	SHEET 6 OF 33

P:\ROCKWALL\100\DRAWINGS\UP04