

!!! CAUTION: !!!
UNDERGROUND GAS LINES
IN PROJECT AREA

BASELINE CONTROL POINT
N. 7018213.2900
E. 2595587.5700

GREEN CREST
(CONCRETE)

!!! CAUTION: !!!
LONE STAR GAS TEST
STATION IN PROJECT AREA

STA. 0+00
FURNISH & INSTALL:
1-16"x16" TAPPING VALVE & SLEEVE
1-16"-11.25" MJ BEND
CONN. TO EXIST. 16" WL

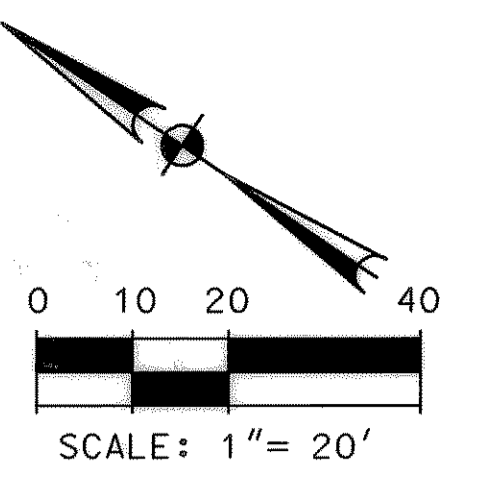
STA. 0+07.40
BEGIN HIGHWAY BORE CROSSING
N. 7018140.7575
E. 2595531.8207

STA 2+64.44, 122.10' LT
BASELINE CONTROL POINT
N. 7018072.6600
E. 2595808.1400

EAST BOUND
LANE I-30
(CONCRETE)

STA. 2+87.25
END HIGHWAY BORE CROSSING
N. 7017963.7294
E. 2595748.5688

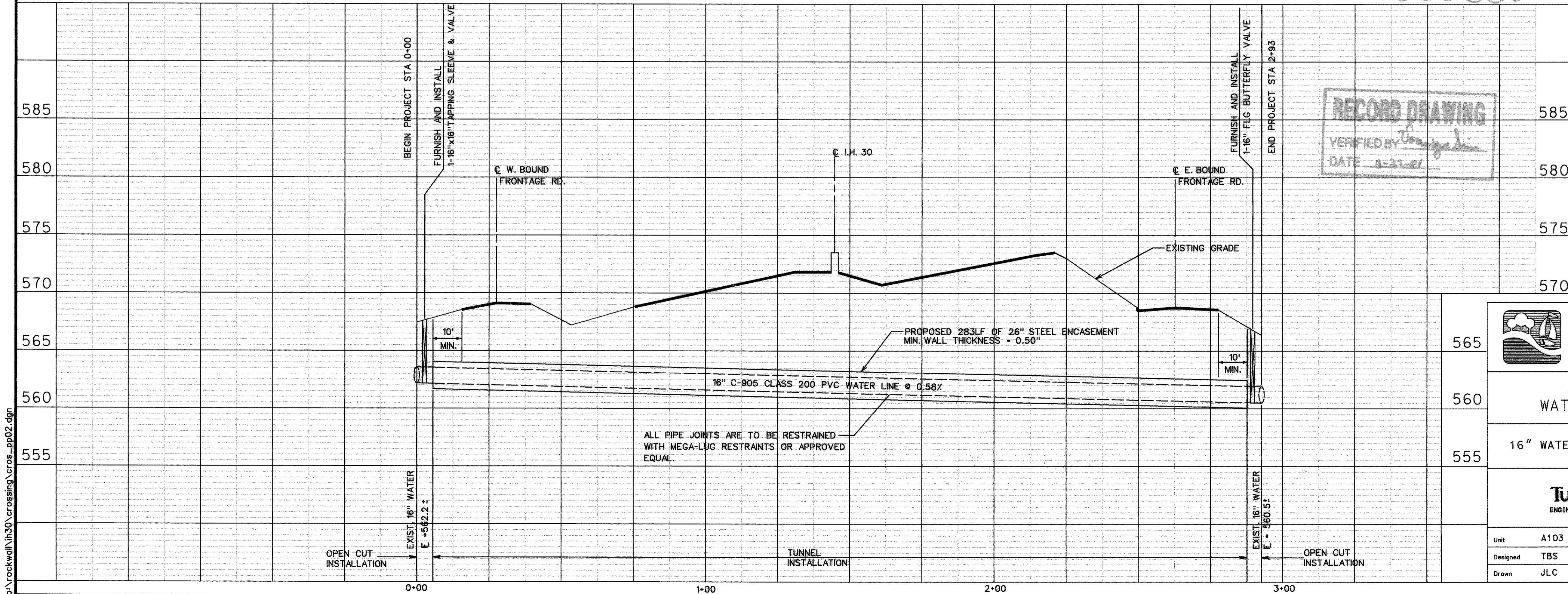
FURNISH & INSTALL:
REMOVE EX. 16" PLUG
FURNISH & INSTALL:
1-16"x16" FLG. TEE
2-16" FLG. BUTTERFLY VALVE
1-16" FLG. PLUG
CONNECT TO EX. 16" WL



LEGEND	
[Symbol]	POWER POLE
[Symbol]	GUY WIRE
[Symbol]	TELEPHONE BOX
[Symbol]	POST
[Symbol]	SIGN
[Symbol]	IRON ROD
[Symbol]	FIRE HYDRANT
[Symbol]	WATER METER
[Symbol]	MAILBOX
[Symbol]	WATER METER
[Symbol]	IRRIGATION CONTROL VALVE
[Symbol]	GUARD RAIL
[Symbol]	GAS METER
[Symbol]	GROUND LIGHT
[Symbol]	CHAIN LINK FENCE
[Symbol]	WOOD FENCE
[Symbol]	ASH TREE
[Symbol]	OAK TREE
[Symbol]	CEDAR TREE
[Symbol]	BARBED WIRE FENCE
[Symbol]	REFLECTOR
[Symbol]	APPROXIMATE TELEPHONE LINE
[Symbol]	APPROXIMATE GAS LINE
[Symbol]	APPROXIMATE WATER LINE
[Symbol]	OVERHEAD POWER LINE
[Symbol]	PINE TREE
[Symbol]	PECAN TREE

PROPOSED 16" WATER LINE

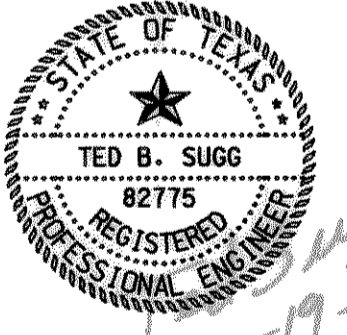
283LF 26" STEEL ENCASUREMENT PIPE



RECORD DRAWING
VERIFIED BY: [Signature]
DATE: 1-27-01

UNDERGROUND UTILITIES

THE LOCATION OF EXISTING UTILITIES SHOWN ON THESE PLANS ARE APPROXIMATE AND BASED ON DATA FURNISHED BY UTILITY COMPANIES. IT IS THE RESPONSIBILITY OF THE CONTRACTOR TO LOCATE AND VERIFY ON-SITE THE UTILITIES THAT MAY CONFLICT WITH THE CONSTRUCTION.



1 10-19-99 ADDED CONTROL POINTS AND COORDINATES TO CROSSING

CITY OF ROCKWALL
"THE NEW HORIZON"

I.H. 30 AND FM 549
WATER LINE IMPROVEMENTS

UTILITY PLAN AND PROFILE
16" WATER LINE CROSSING AT GREEN CREST
AND MIMS ROAD

Turner Collie & Braden Inc.
ENGINEERS • PLANNERS • PROJECT MANAGERS

Unit	A103	Scale:	Horz. 1"=20' Vert. 1"=5'	Date	FEBRUARY, 1999
Designed	TBS	Checked	DWN	Job No.	15-98925-200
Drawn	JLC	Approved	RCR		SHEET 22 OF 33

p:\rockwall\ih30_crossing\cross_pp02.dgn