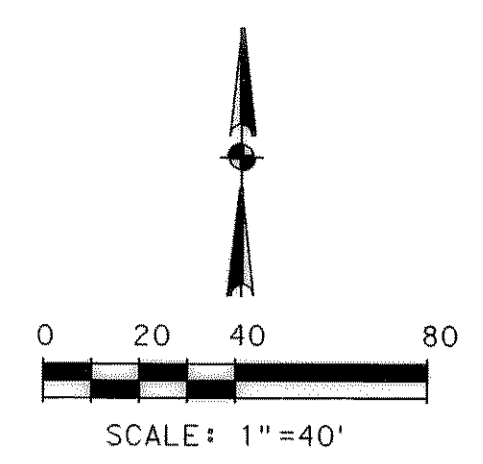
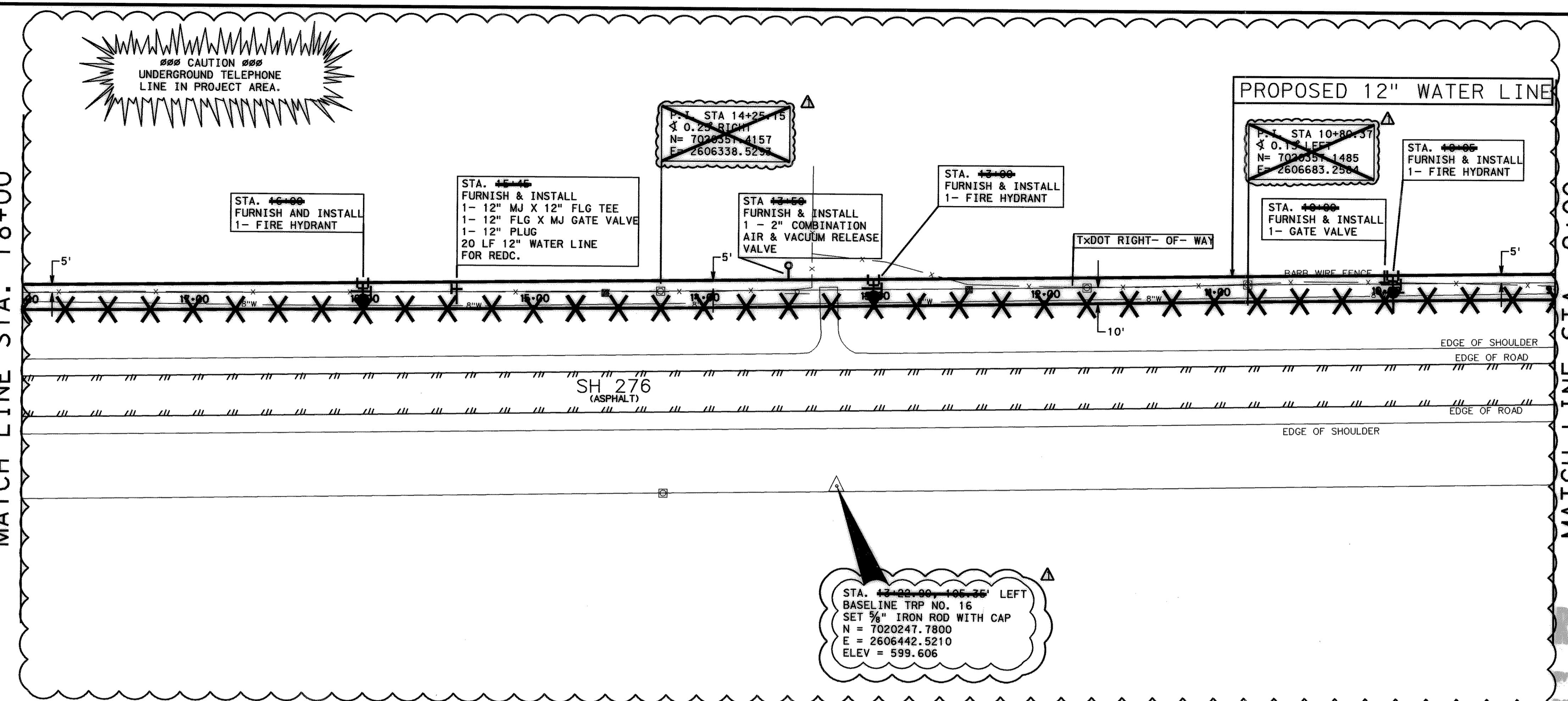


MATCH LINE STA. 18+00

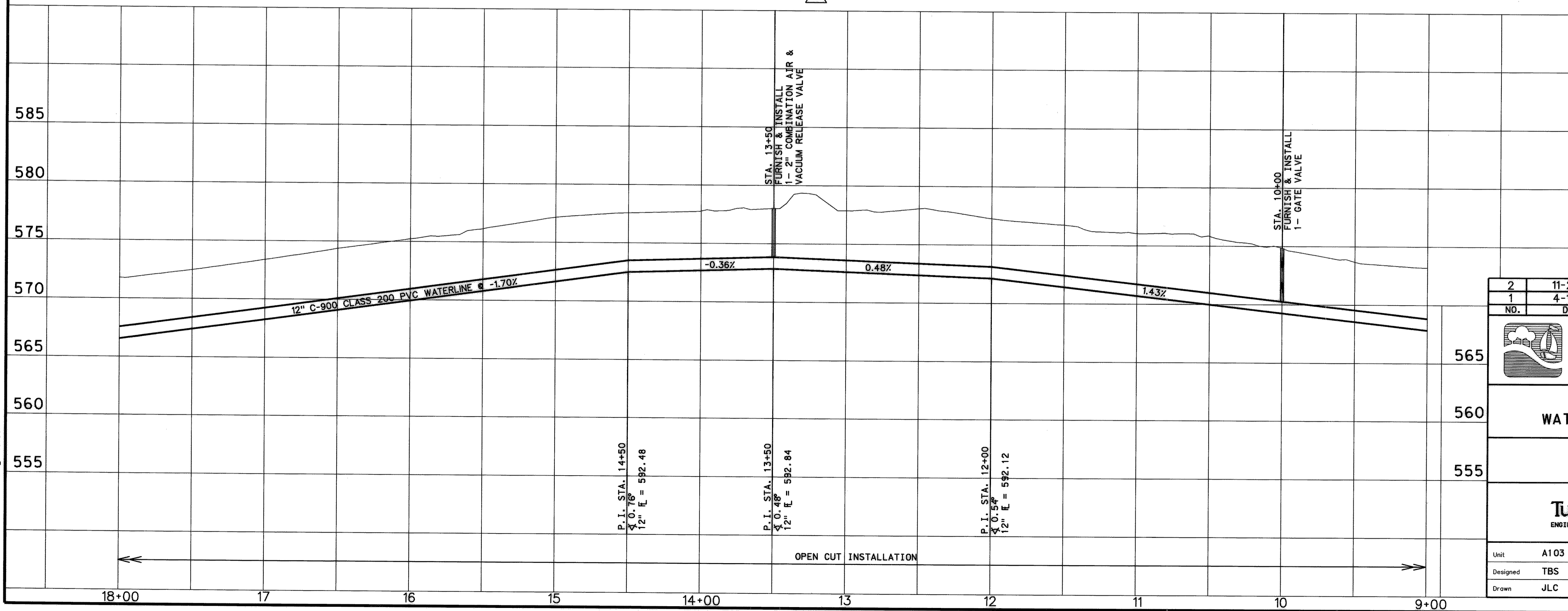
MATCH LINE STA. 9+00



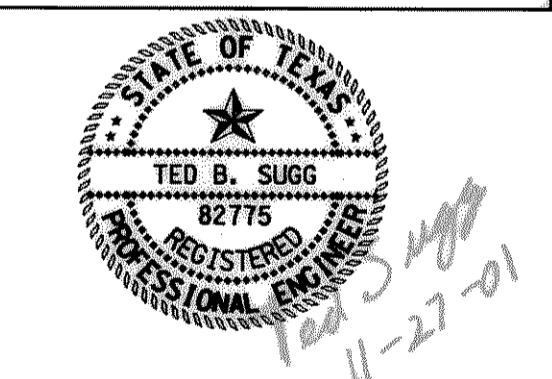
LEGEND	
	POWER POLE
	GUY WIRE
	TELEPHONE BOX
	POST
	SIGN
	IRON ROD
	FIRE HYDRANT
	WATER METER
	MAILBOX
	WATER METER
	IRRIGATION CONTROL VALVE
	GUARD RAIL
	GAS METER
	GROUND LIGHT
	CHAIN LINK FENCE
	WOOD FENCE
	ASH TREE
	OAK TREE
	CEDAR TREE
	BARBED WIRE FENCE
	REFLECTOR
	APPROXIMATE TELEPHONE LINE
	APPROXIMATE GAS LINE
	APPROXIMATE WATER LINE
	OVERHEAD POWER LINE
	PINE TREE
	PECAN TREE

RECORD DRAWING
Design
 DATE 3-6-02

STA. 13+00.00, 105.36' LEFT
 BASELINE TRP NO. 16
 SET 3/4" IRON ROD WITH CAP
 N = 7020247.7800
 E = 2606442.5210
 ELEV = 599.606



UNDERGROUND UTILITIES
 THE LOCATION OF EXISTING UTILITIES SHOWN ON THESE PLANS ARE APPROXIMATE AND BASED ON DATA FURNISHED BY UTILITY COMPANIES. IT IS THE RESPONSIBILITY OF THE CONTRACTOR TO LOCATE AND VERIFY ON-SITE THE UTILITIES THAT MAY CONFLICT WITH THE CONSTRUCTION.



NO.	DATE	REVISION	APPROV
2	11-27-01	RECORD DRAWING	TBS
1	4-16-99	REALIGNMENT	TBS

CITY OF ROCKWALL
 "THE NEW HORIZON"
 S.H. 276
 WATER LINE IMPROVEMENTS
 UTILITY PLAN AND PROFILE
 12" WATER LINE

TurnerCollie & Braden Inc.
 ENGINEERS • PLANNERS • PROJECT MANAGERS

Unit	A103	Scale:	Horz. 1"=40'	Vert. 1"=5'	Date	FEBRUARY, 1999
Designed	TBS	Checked	DWN	Job No.	15-98925-200	
Drawn	JLC	Approved	RCR			SHEET 19 OF 33

P:\ROCKWALL\1130\DRAWINGS\SH276_PP02.DGN