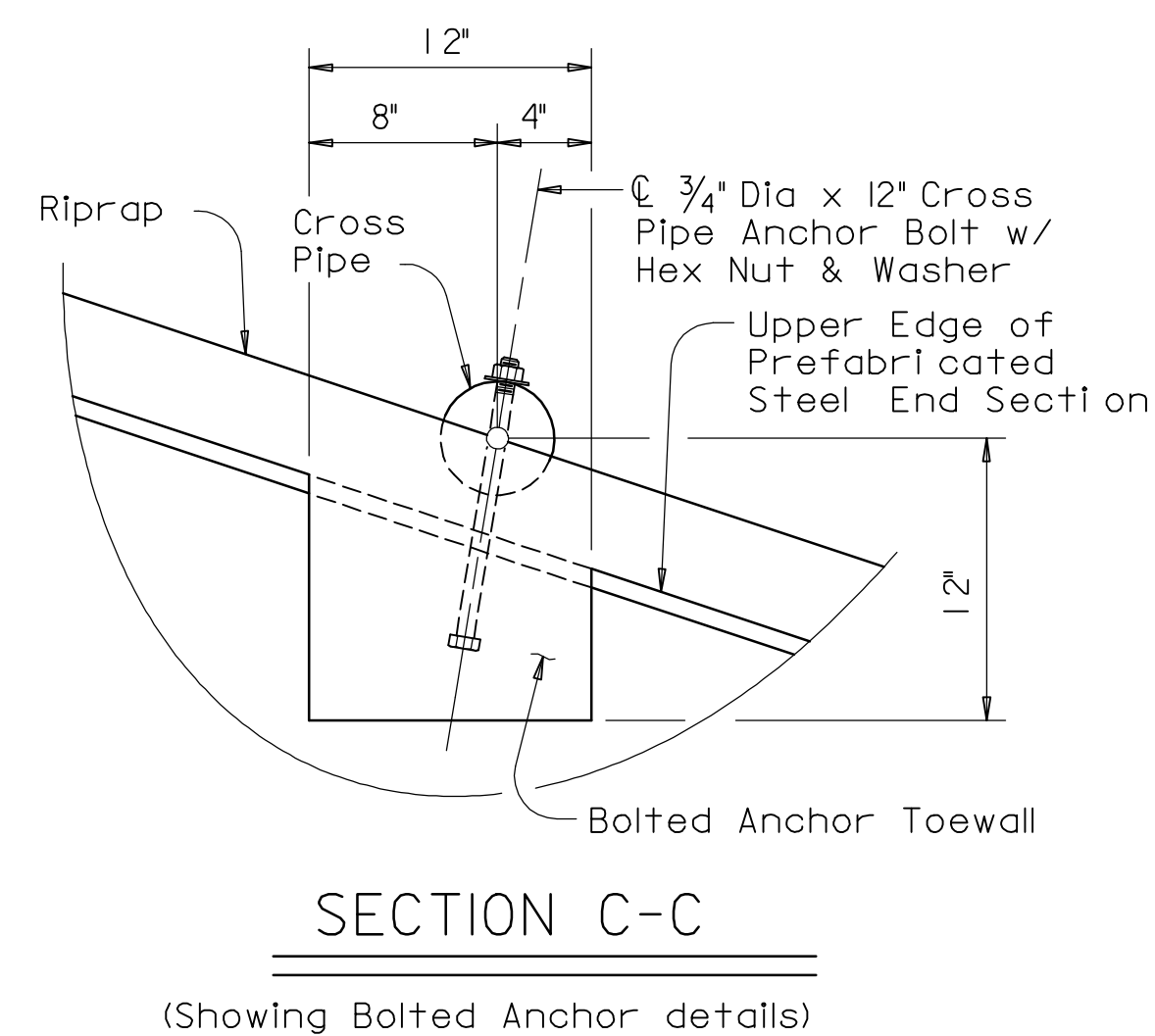
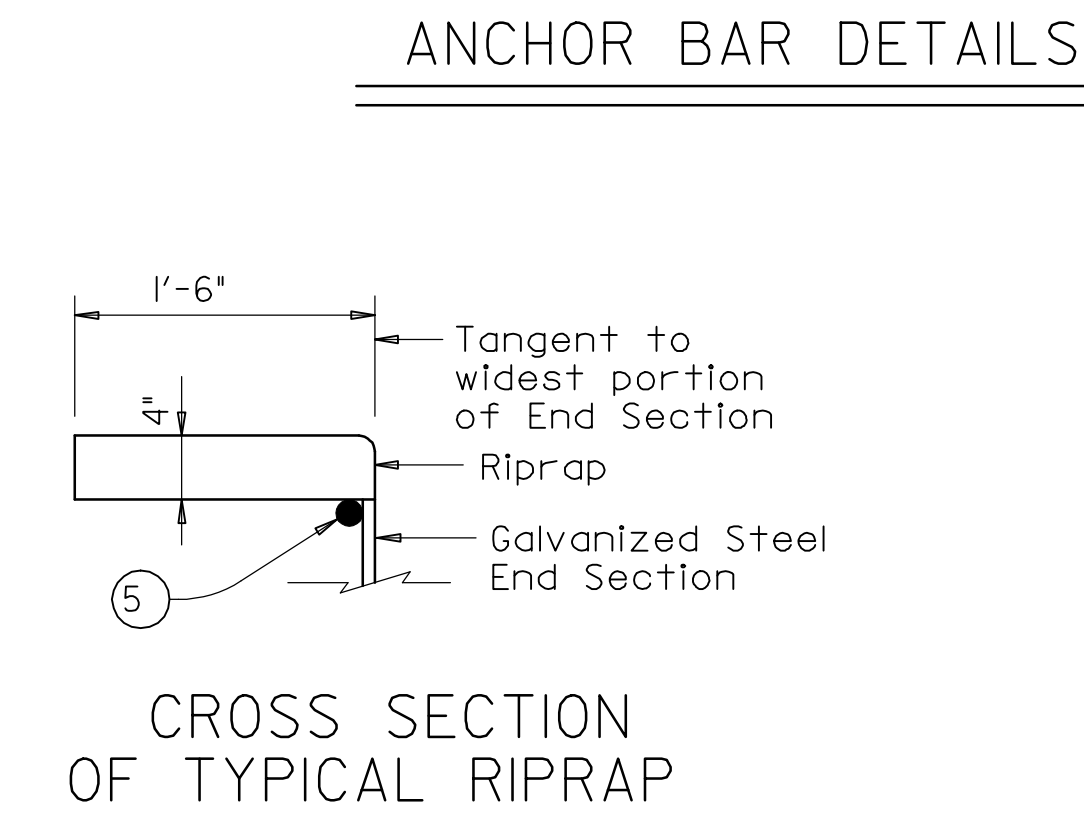
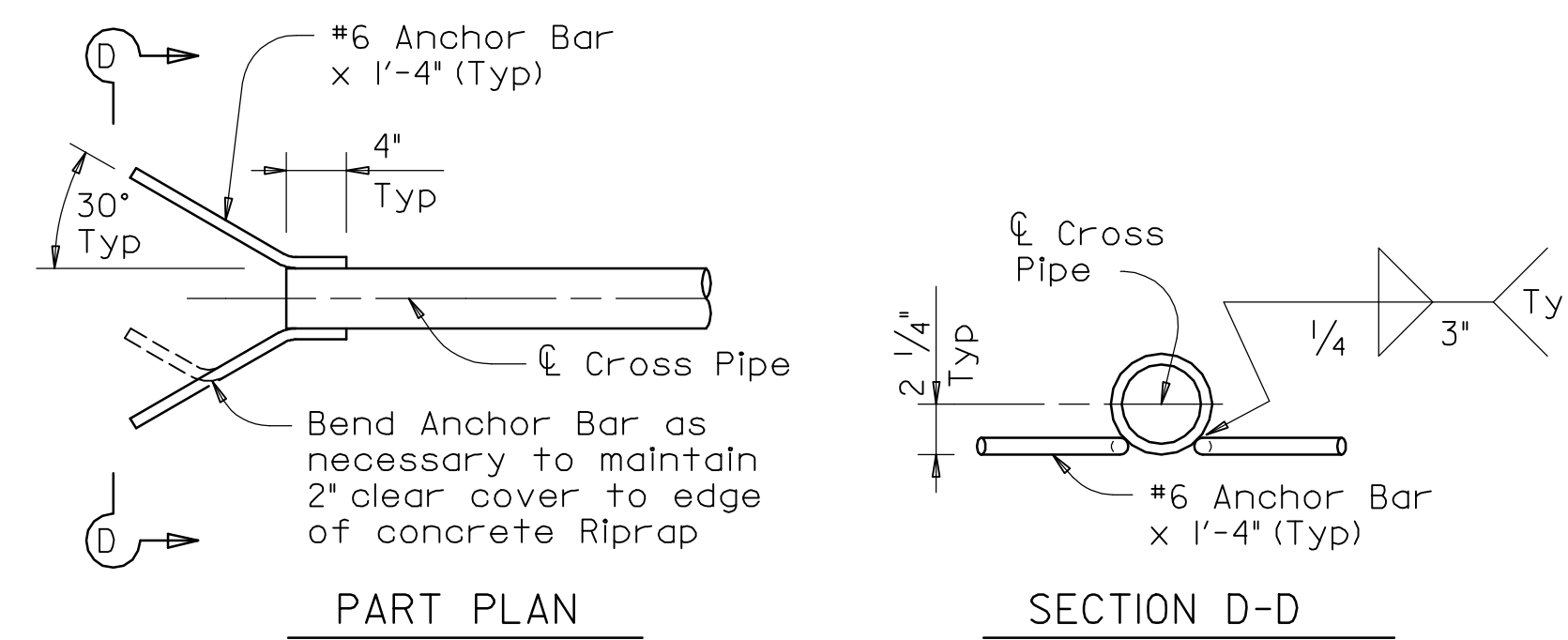
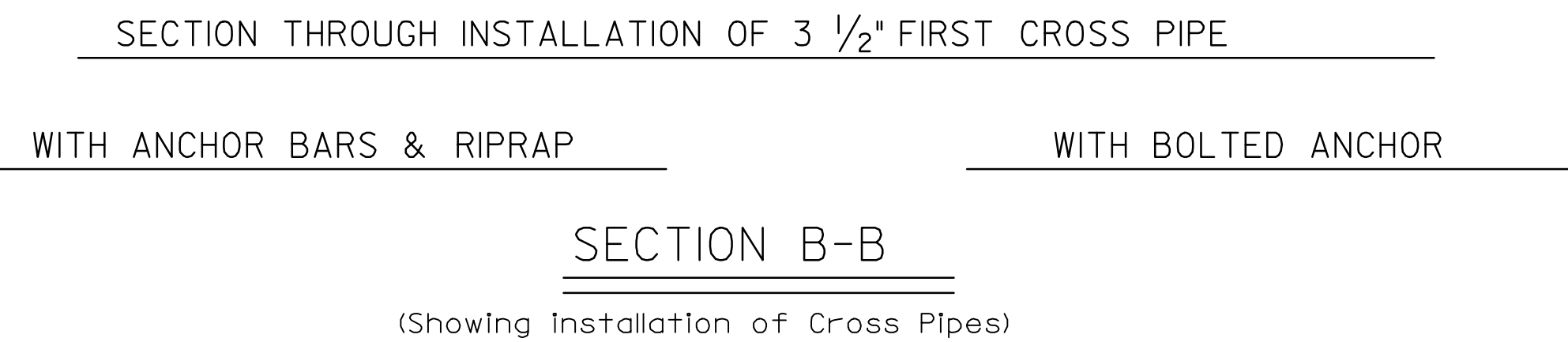
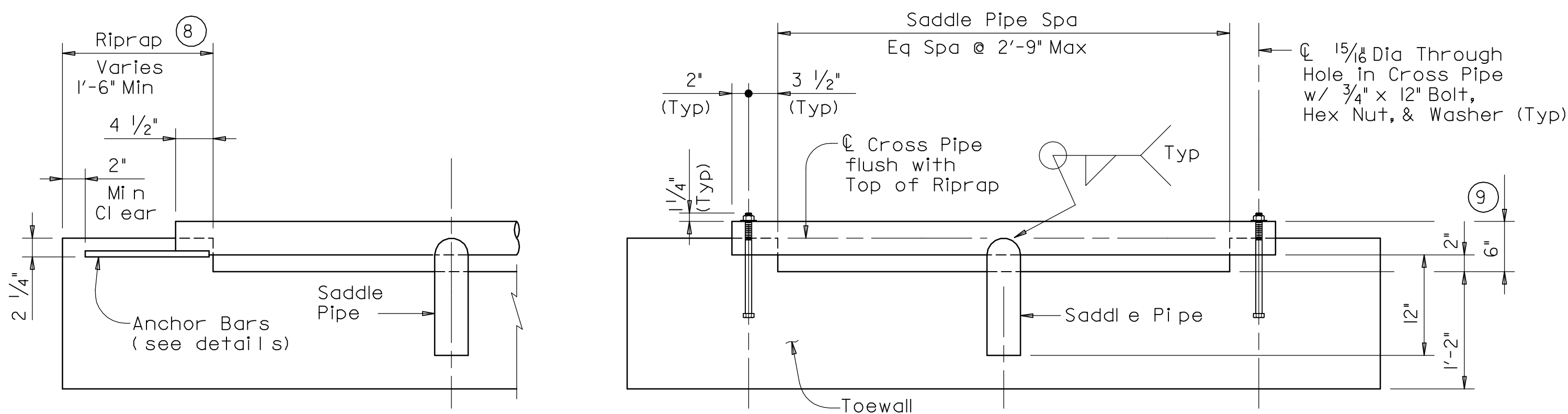
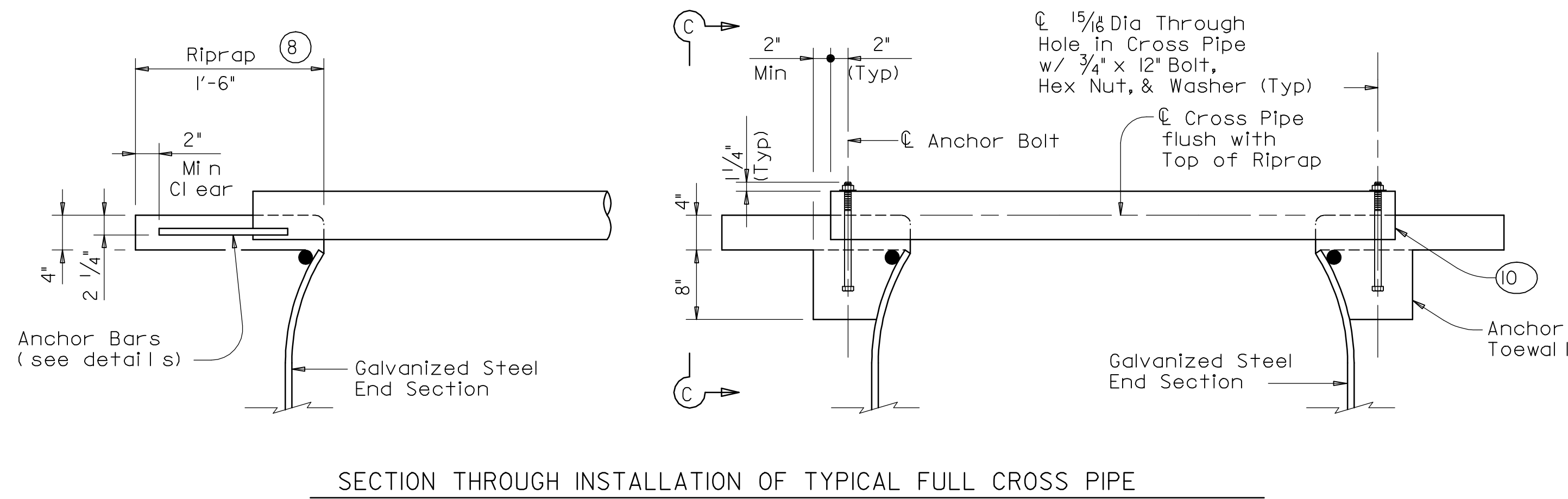
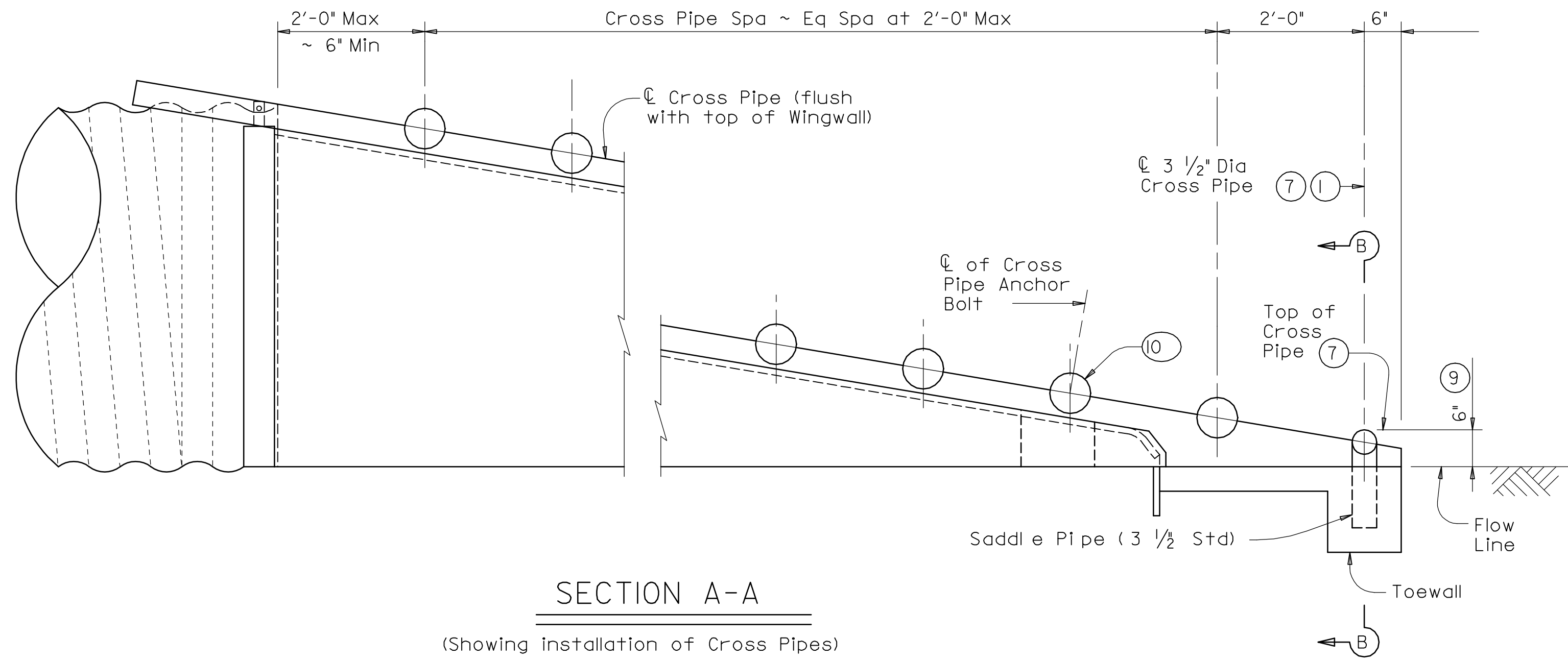


DISCLAIMER: The use of this standard is governed by the Texas Engineering Practice Act. No warranty of any kind is made by TxDOT for any purpose whatsoever. TxDOT assumes no responsibility for the conversion of this standard to other formats or for incorrect results or damages resulting from its use.

LEVELS DISPLAYED	ACC:
1	
2	
3	
4	
5	
6	
7	
8	
9	
10	



- 1 Size and Lengths of Cross Pipes shall be as shown in the tables, except the first Cross Pipe from the bottom and the associated Saddle Pipe shall be 3 1/2". All other values shown are minimum requirements.
- 5 Reinforce upper edge of Prefabricated End Section with minimum 3/8" diameter smooth or deformed bar (pre-galvanized).
- 8 Riprap placed beyond the limits shown will be paid as Concrete Riprap in accordance with Item 432, "Riprap".
- 9 The proper installation of the first Cross Pipe is critical for vehicle safety. The top of the first Cross Pipe must be placed at no more than 6" above the flow line.
- 10 The third Cross Pipe from the bottom of the Culvert shall always be installed using a bolted connection. Care shall be taken to ensure that concrete does not flow into this Cross Pipe so as to permit disassembly of the bolted connection to allow cleanout access.

SHEET 2 OF 2

Texas Department of Transportation
Bridge Division

PREFABRICATED GALVANIZED STEEL END SECTION SAFETY END TREATMENT
FOR 12" TO 60" DIA C.M.P. CULVERTS
TYPE II ~ PARALLEL DRAINAGE

GS-ES-PD

FILE: gsespdse.dgn	DN: TxDOT	CK: TxDOT	DW: JRP	CR: GAF
© TxDOT December 2003	DISTRICT	FEDERAL AID PROJECT		SHEET
REVISIONS				26 OF 28
COUNTY	CONTROL	SECT	JOB	HIGHWAY