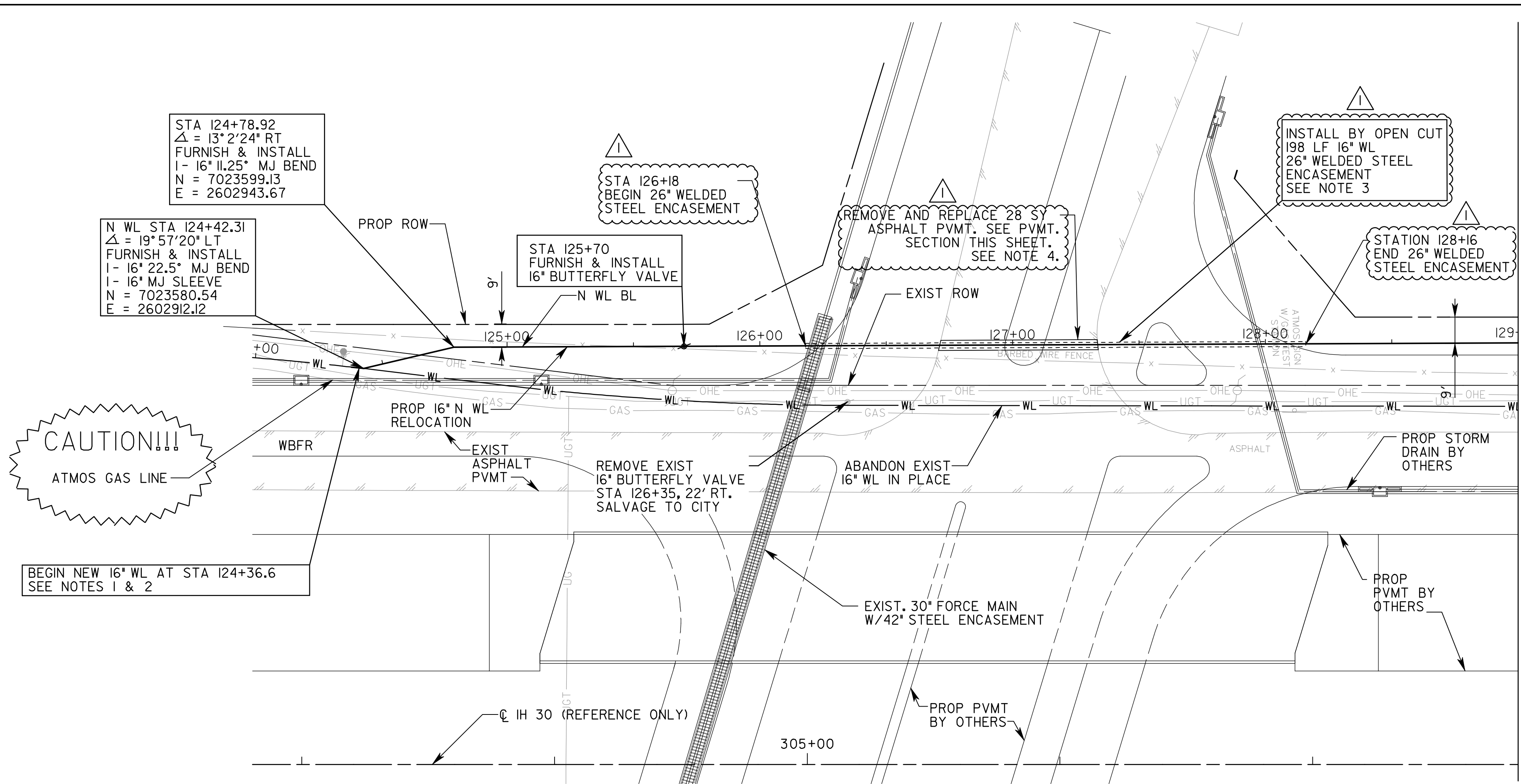
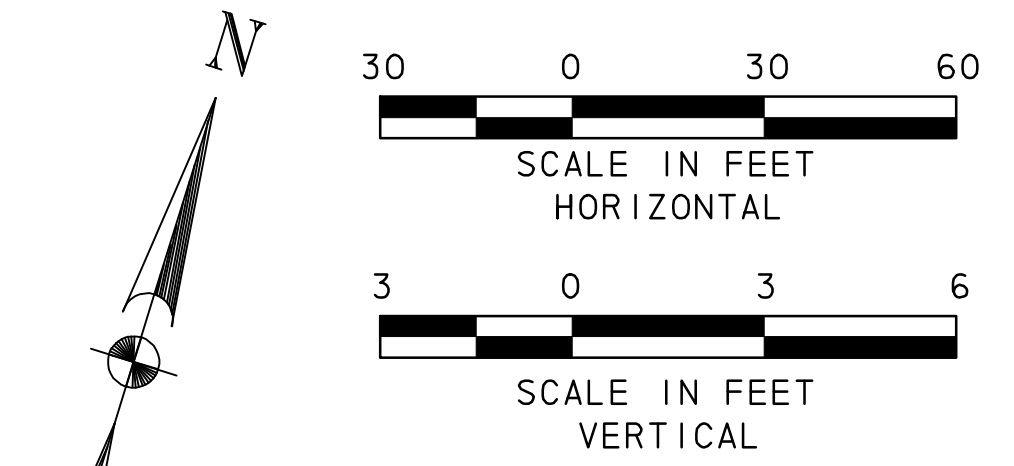


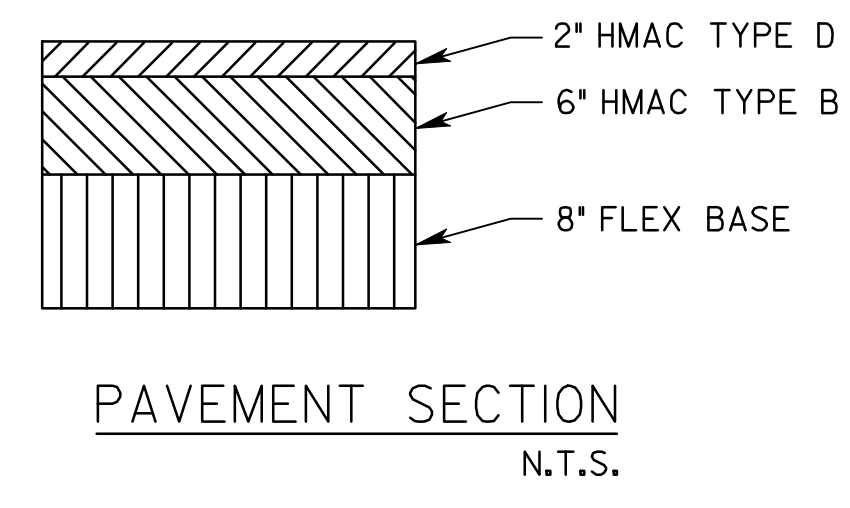
P:\Rockwall\IH30_UFT\11\CAD\Sheet\REC 10_26_11\IH30U_PP04_30_Rev1.dwg 3-11-11 REC 10_26.dwg
11/28/2011



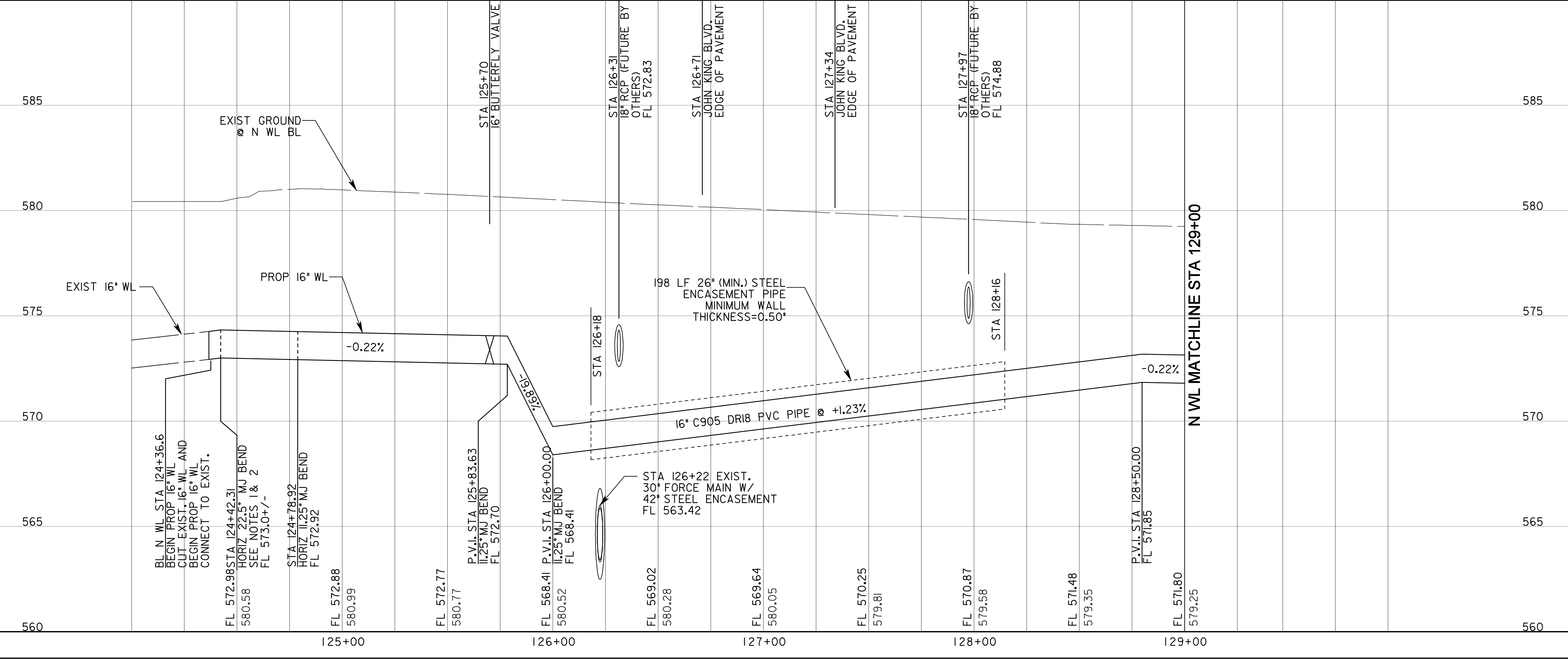
- NOTES:
1. WHEN NEW 16" WL IS READY TO BE PUT IN SERVICE, COORDINATE SHUT DOWN OF EXISTING 16" WL WITH CITY THEN CUT EXISTING 16" WL AND CONNECT NEW 16" WL TO EXISTING BY INSTALLING 16" 22.5° BEND WITH 5' SECTION OF NEW 16" PIPE AND 16" MJ SLEEVE. USE QUICK SETTING HIGH EARLY STRENGTH CONC. WITH MIN COMPRESSIVE STRENGTH OF 400 PSI IN 2 HOURS FOR THRUST BLOCK AND ENSURE THRUST BLOCKS ARE IN PLACE AND CURED PRIOR TO REACTIVATING EXIST 16" WL.
 2. THAT PORTION OF EXISTING 16" WL NO LONGER ACTIVE SHALL BE PLUGGED AND ABANDONED IN PLACE.
 3. MAINTAIN 2 LANES OF 2-WAY TRAVEL ON JOHN KING BLVD WHILE INSTALLING ENCASEMENT.
 4. REPAIR PVMT. MARKING AT CROSSING ON JOHN KING BLVD AS NECESSARY.



LEGEND	
	POWER POLE
	GUY WIRE
	TELEPHONE BOX
	POST
	SIGN
	IRON ROD
	FIRE HYDRANT
	WATER VALVE
	MAILBOX
	WATER METER
	IRRIGATION CONTROL VALVE
	GUARD RAIL
	GAS METER
	WASTE WATER MANHOLE
	CHAIN LINK FENCE
	WOOD FENCE
	IRON ROD FOUND
	MONUMENT
	ELECTRIC BOX
	BARBED WIRE FENCE
	TREE
	TELEPHONE UNDERGROUND
	APPROXIMATE GAS LINE
	APPROXIMATE WATER LINE
	OVERHEAD POWER LINE
	TELEPHONE MANHOLE
	TRAFFIC SIGNAL CONTROL BOX
	GAS VALVE



UNDERGROUND UTILITIES
THE LOCATION OF EXISTING UTILITIES SHOWN ON THESE PLANS ARE APPROXIMATE AND BASED ON DATA FURNISHED BY UTILITY COMPANIES. IT IS THE RESPONSIBILITY OF THE CONTRACTOR TO LOCATE AND VERIFY ON-SITE THE UTILITIES THAT MAY CONFLICT WITH THE CONSTRUCTION. THERE SHALL BE A MINIMUM CLEARANCE OF 24" BETWEEN EXISTING UTILITIES.



RECORD DRAWING
This drawing is a compilation of the original sealed engineering drawing and modifications by addenda, change orders and information furnished by the contractor. Information shown that was provided by the contractor and others not associated with the design engineer cannot be verified for accuracy or completeness. Original sealed drawing is on file at the office of AECOM TECHNICAL SERVICES, Inc., TBPE REG. NO. F-3580

ORIGINAL DRAWING SEALED & SIGNED BY
T.H. Gaertner, P.E.
TX NO. 37124
ON 3-8-11

NO.	REVISION	BY	DATE
1	REVISED PIPE ALIGNMENT	THG	3/8/11

City of Rockwall, Texas

IH 30 WATER LINE IMPROVEMENTS

N WL STA 124+00 TO STA 129+00

AECOM
AECOM TECHNICAL SERVICES, INC.
19000 DALLAS PARKWAY, SUITE 350
DALLAS, TEXAS 75248
WWW.AECOM.COM
TBPE REG. NO. F-3580

Unit	AECOM Water	Scale	Horz: AS SHOWN Vert: AS SHOWN	Date	11/8/2011
Designed	JR/RH	Checked	JR/TG	Project No.	60072620
Drawn	RH/FG	Approved	GH	Sheet	9 of 28