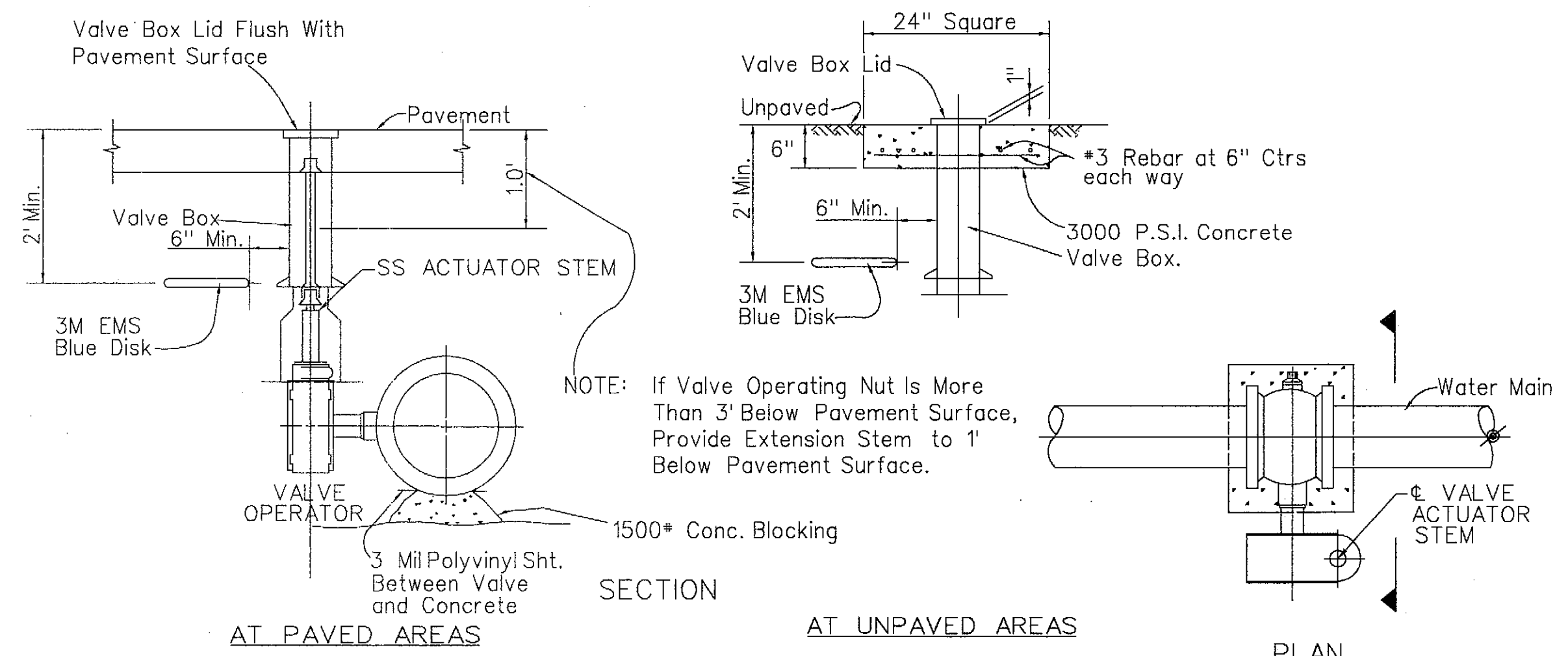
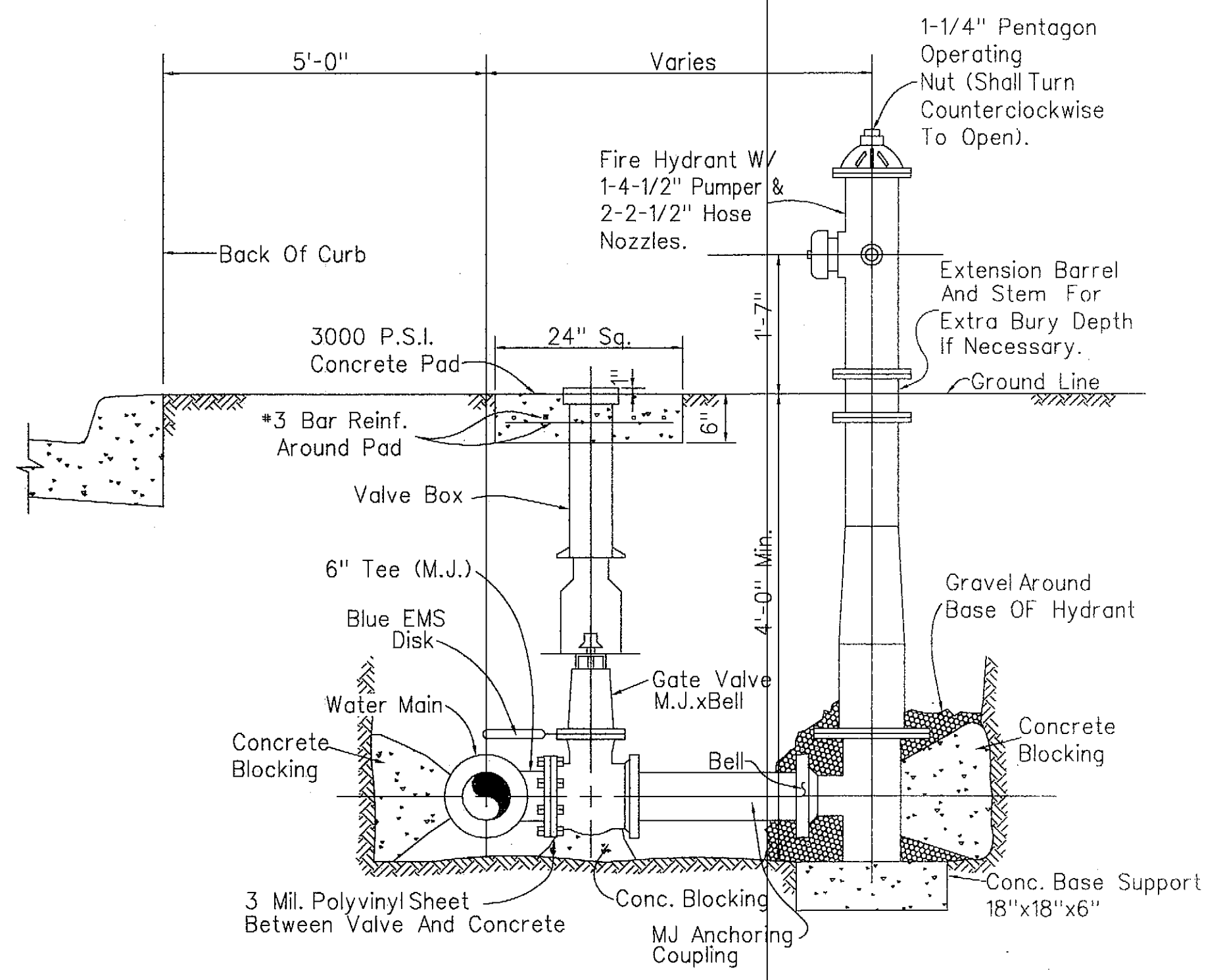


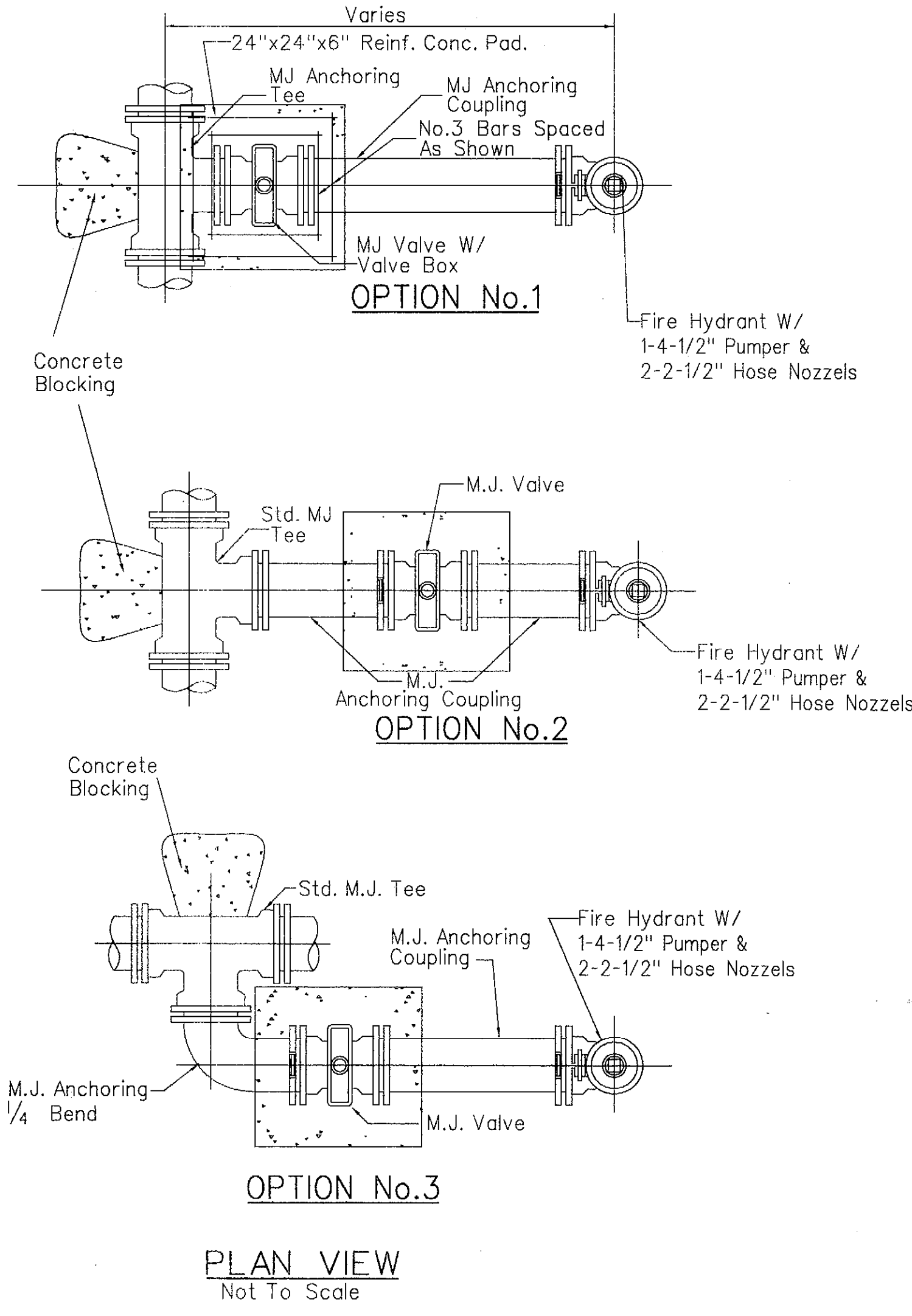
TYPICAL GATE VALVE AND BOX EXTENSION STEM DETAIL
Not To Scale



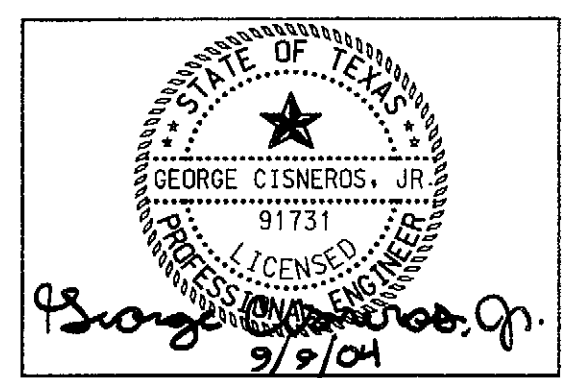
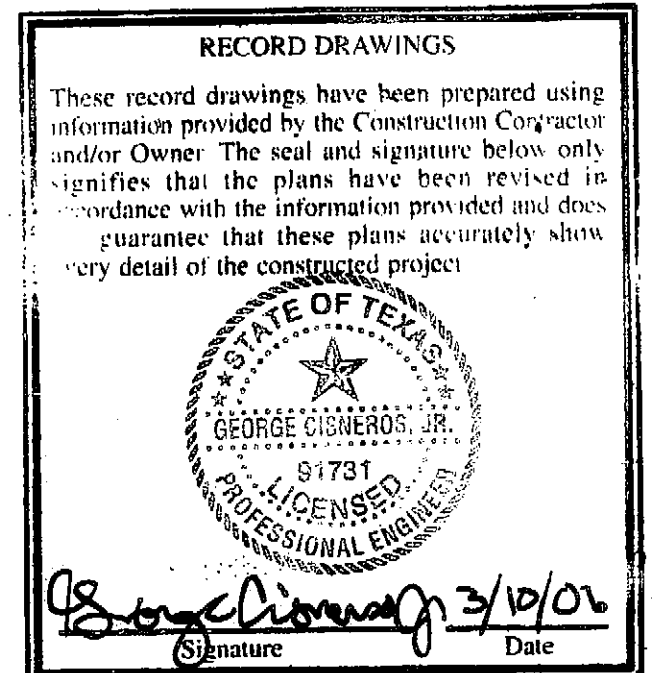
BUTTERFLY VALVE INSTALLATION AND EXTENSION STEM DETAIL
Not To Scale



TYPICAL FIRE HYDRANT INSTALLATION
Not To Scale



OPTION No.1
OPTION No.2
OPTION No.3
PLAN VIEW
Not To Scale



4			
3			
2			
1			
NO.	DATE	REVISION	APPROV.
CITY OF ROCKWALL "THE NEW HORIZON"			
IH-30 NORTH & FM 549 WATER LINE - PHASE ONE & TWO			
STANDARD WATER DETAILS			
TCB Turner Collier & Braden Inc. <small>Engineers • Planners • Project Managers</small>			
Unit	A123	Scale: Horz. 1"=40'	Date: SEPTEMBER 2004
Designed	GC	Checked: TBS	Job No. 052131875.0001
Drawn	GBA	Approved: RCR	Sheet 20 of 25

8/07/19 AM
 9/9/2004
 P:\rockwell\30_north_w\cadd\sheet\set01.dgn