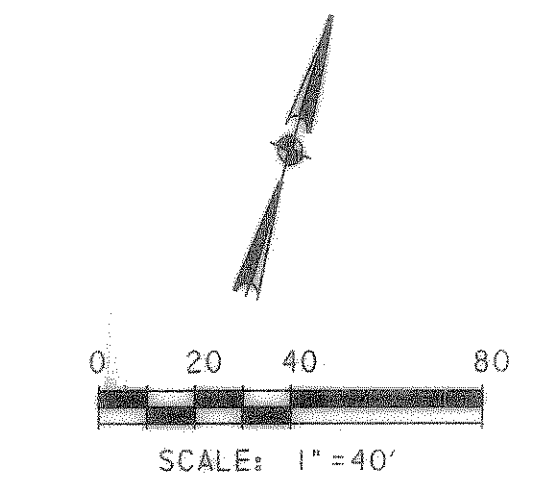
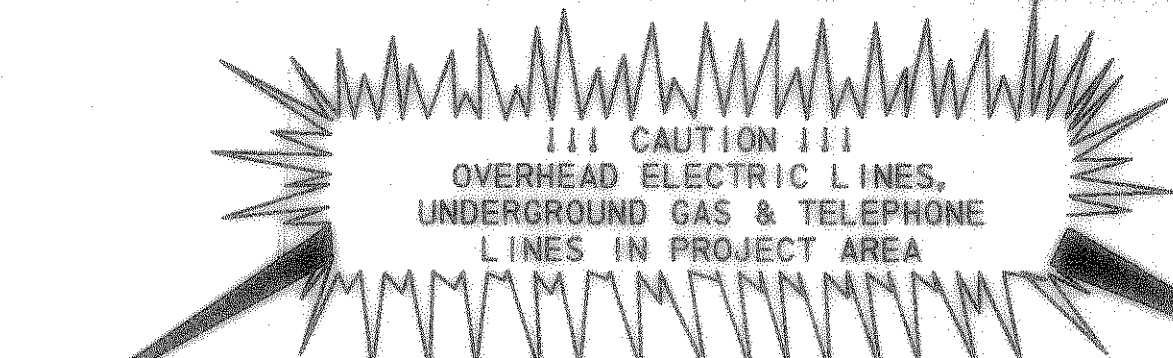
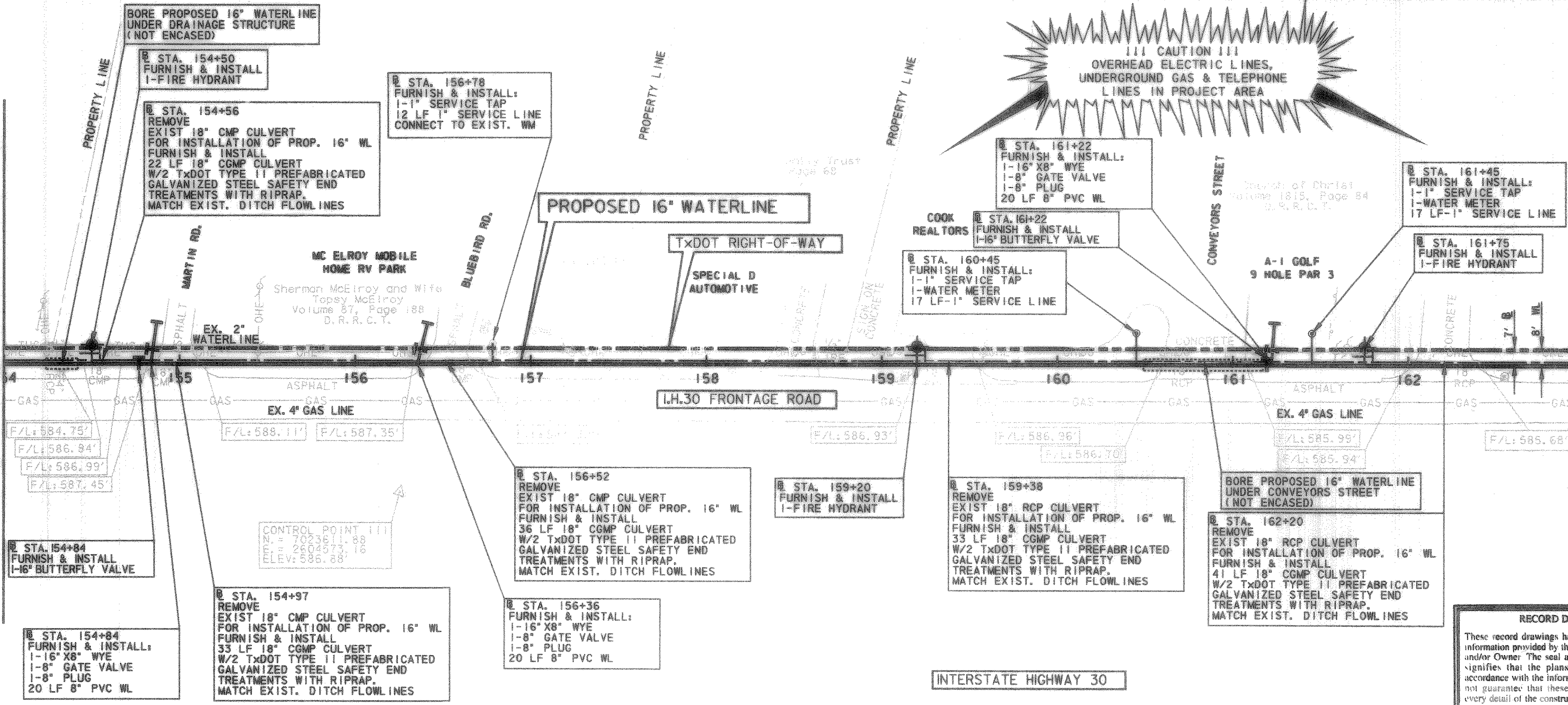


MATCH LINE @ STA. 154+00

MATCH LINE @ STA. 163+00



LEGEND	
	POWER POLE
	GUY WIRE
	TELEPHONE BOX
	POST
	SIGN
	IRON ROD
	FIRE HYDRANT
	WATER VALVE
	MAIL BOX
	WATER METER
	IRRIGATION CONTROL VALVE
	GUARD RAIL
	GAS METER
	WASTE WATER MANHOLE
	CHAIN LINK FENCE
	WOOD FENCE
	IRON ROD FOUND
	MONUMENT
	ELECTRIC BOX
	BARBED WIRE FENCE
	TREE
	TELEPHONE UNDERGROUND
	APPROXIMATE GAS LINE
	APPROXIMATE WATER LINE
	OVERHEAD POWER LINE
	TELEPHONE MANHOLE
	TRAFFIC SIGNAL CONTROL BOX
	GAS VALVE

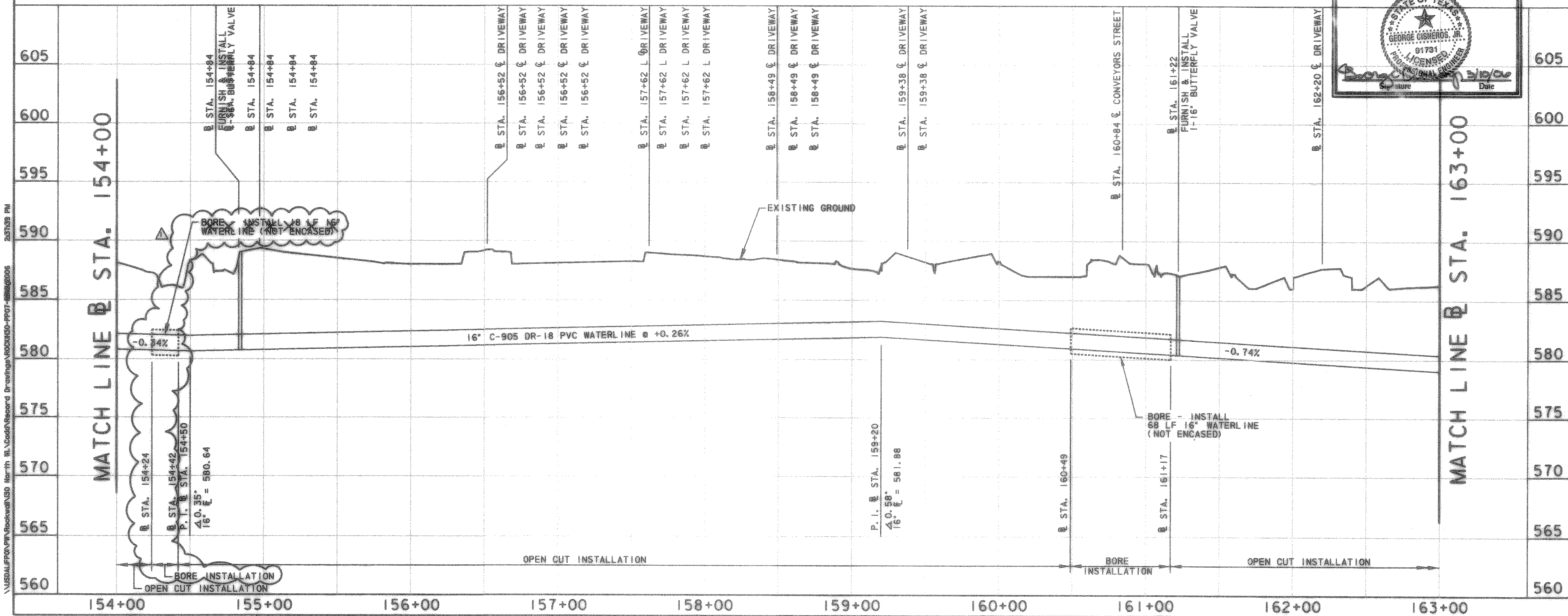
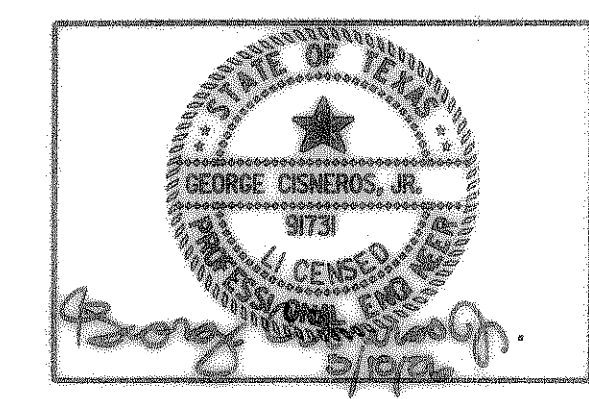
RECORD DRAWINGS

These record drawings have been prepared using information provided by the Construction Contractor and/or Owner. The seal and signature below only signifies that the plans have been revised in accordance with the information provided and does not guarantee that these plans accurately show every detail of the constructed project.

Signature: _____ Date: _____

UNDERGROUND UTILITIES

THE LOCATION OF EXISTING UTILITIES SHOWN ON THESE PLANS ARE APPROXIMATE AND BASED ON DATA FURNISHED BY UTILITY COMPANIES. IT IS THE RESPONSIBILITY OF THE CONTRACTOR TO LOCATE AND VERIFY ON-SITE THE UTILITIES THAT MAY CONFLICT WITH THE CONSTRUCTION.



1			
2			
3			
4			
NO.		DATE	REVISION
<p>CITY OF ROCKWALL "THE NEW HORIZON"</p>			
<p>IH-30 NORTH AND FM 549 WATER LINE - PHASE ONE</p>			
<p>STA. 154+00 TO STA. 163+00</p>			
<p>TCB TurnerCollie & Braden Inc. Engineers - Planners - Project Managers</p>			
Unit	A123	Scale	Horizontal = 1" = 40' Vertical = 1" = 5'
Drawn	JBA	Checked	TBS
Design	JBA	Approved	RCR
Date		SEPTEMBER 2004	
Job No.		052131975.0001	
Sheet		18 of 25	

\\\USDA\FROM\Rockwall\SD North\I-30\Road\Record Drawings\ROCKWALL-PP07-08\05005 2:57:08 PM