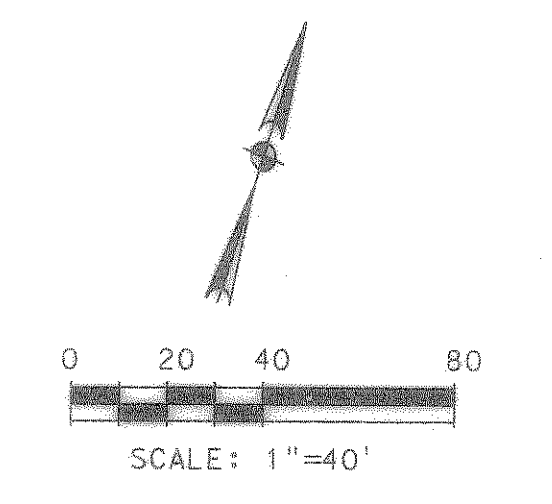
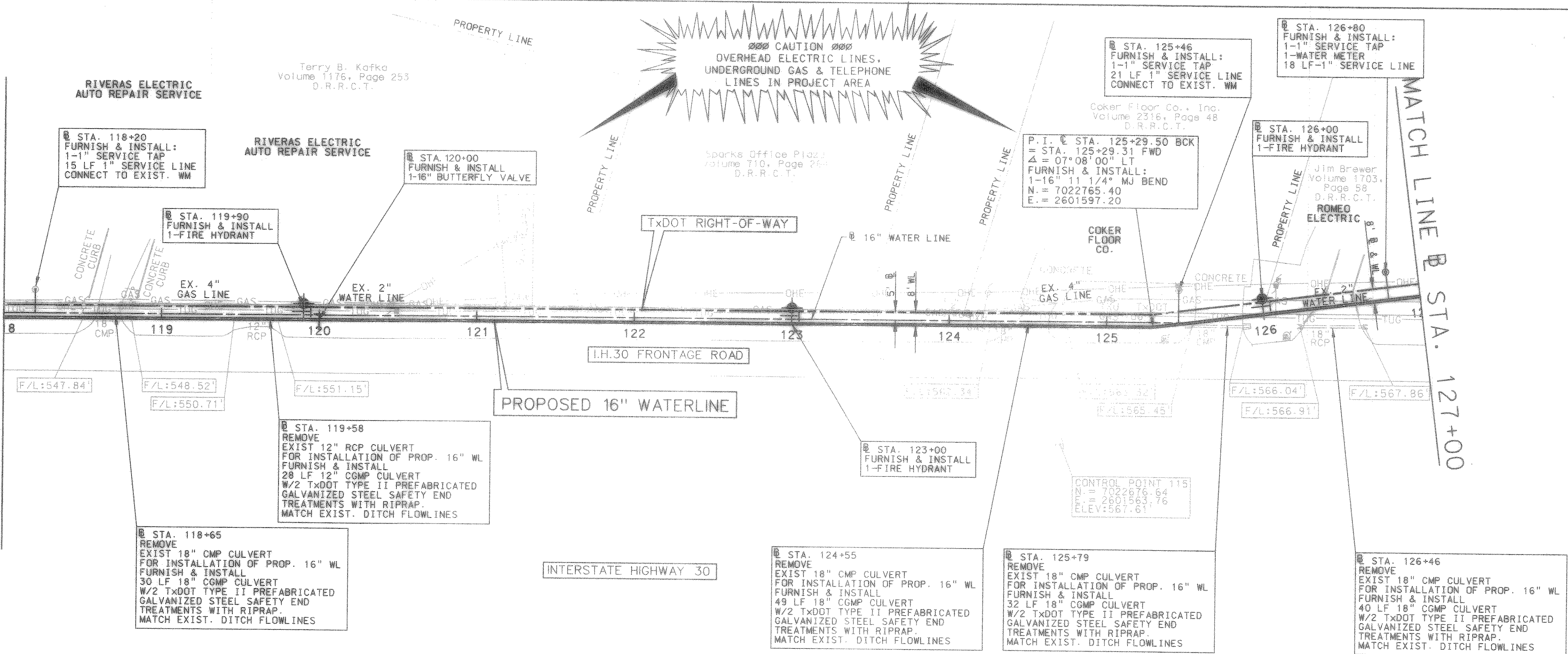


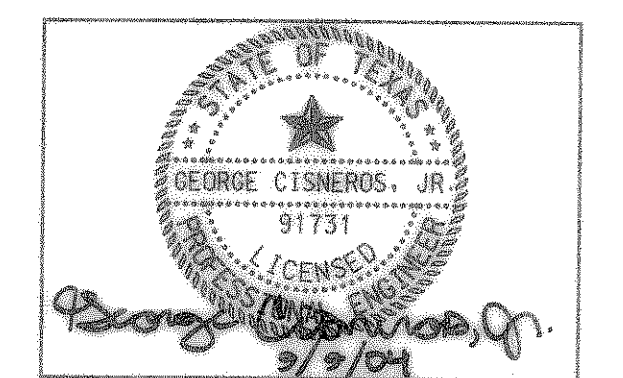
MATCH LINE @ STA. 118+00



LEGEND	
	POWER POLE
	GUY WIRE
	TELEPHONE BOX
	POST
	SIGN
	IRON ROD
	FIRE HYDRANT
	WATER VALVE
	MAILBOX
	WATER METER
	IRRIGATION CONTROL VALVE
	GAS METER
	WASTE WATER MANHOLE
	CHAIN LINK FENCE
	WOOD FENCE
	IRON ROD FOUND
	MONUMENT
	ELECTRIC BOX
	BARBED WIRE FENCE
	TREE
	TELEPHONE UNDERGROUND
	APPROXIMATE GAS LINE
	APPROXIMATE WATER LINE
	OVERHEAD POWER LINE
	TELEPHONE MANHOLE
	TRAFFIC SIGNAL CONTROL BOX
	GAS VALVE

**UNDERGROUND UTILITIES**

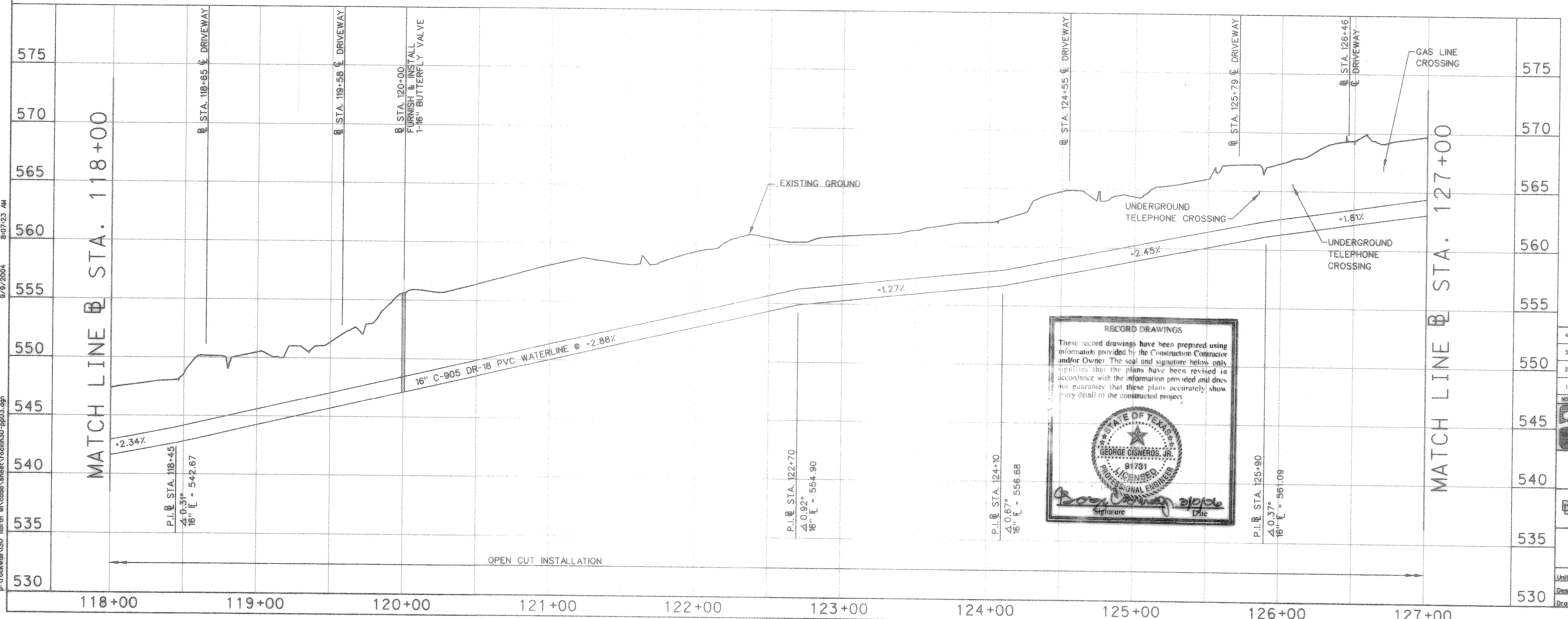
THE LOCATION OF EXISTING UTILITIES SHOWN ON THESE PLANS ARE APPROXIMATE AND BASED ON DATA FURNISHED BY UTILITY COMPANIES. IT IS THE RESPONSIBILITY OF THE CONTRACTOR TO LOCATE AND VERIFY ON-SITE THE UTILITIES THAT MAY CONFLICT WITH THE CONSTRUCTION.



**RECORD DRAWINGS**

These record drawings have been prepared using information provided by the Construction Contractor and/or Owner. The seal and signature below only signifies that the plans have been revised in accordance with the information provided and does not guarantee that these plans accurately show every detail of the constructed project.

*George Cisneros, Jr.*  
Signature Date



NO.	DATE	REVISION	APPROV.
4			
3			
2			
1			

**CITY OF ROCKWALL**  
"THE NEW HORIZON"

IH-30 NORTH AND FM 549  
WATER LINE - PHASE ONE

@ STA. 118+00 TO @ STA. 127+00

**TCB** TurnerCollieBraden Inc.  
Engineers • Planners • Project Managers

Unit	A123	Scale	Horz. 1"=40'	Vert. 1"=5'	Date	SEPTEMBER 2004
Designed	GC	Checked	TBS	Job No.	052131875-0001	
Drawn	GBA	Approved	RCR	Sheet	8 of 25	

P:\rockwall\130 north\w\cond\sheet\rockwall-pp03.dgn

9/9/2004 8:07:25 AM

Terry B. Kafko  
Volume 1176, Page 253  
D.R.R.C.T.

Sparks Office Plaza  
Volume 110, Page 250  
D.R.R.C.T.

Coker Floor Co., Inc.  
Volume 2316, Page 48  
D.R.R.C.T.

Jim Brewer  
Volume 1703,  
Page 58  
D.R.R.C.T.

INTERSTATE HIGHWAY 30

TxDOT RIGHT-OF-WAY

PROPOSED 16" WATERLINE

I.H.30 FRONTAGE ROAD

RIVERAS ELECTRIC  
AUTO REPAIR SERVICE

RIVERAS ELECTRIC  
AUTO REPAIR SERVICE

COKER FLOOR  
CO.

ROMEO  
ELECTRIC

CAUTION  
OVERHEAD ELECTRIC LINES,  
UNDERGROUND GAS & TELEPHONE  
LINES IN PROJECT AREA

STA. 118+20  
FURNISH & INSTALL:  
1-1" SERVICE TAP  
15 LF 1" SERVICE LINE  
CONNECT TO EXIST. WM

STA. 119+90  
FURNISH & INSTALL  
1-FIRE HYDRANT

STA. 120+00  
FURNISH & INSTALL  
1-16" BUTTERFLY VALVE

STA. 125+46  
FURNISH & INSTALL:  
1-1" SERVICE TAP  
21 LF 1" SERVICE LINE  
CONNECT TO EXIST. WM

STA. 126+80  
FURNISH & INSTALL:  
1-1" SERVICE TAP  
1-WATER METER  
18 LF-1" SERVICE LINE

STA. 126+00  
FURNISH & INSTALL  
1-FIRE HYDRANT

P.I. @ STA. 125+29.50 BCK  
= STA. 125+29.31 FWD  
Δ = 07° 08' 00" LT  
FURNISH & INSTALL:  
1-16" 11 1/4" MJ BEND  
N. = 7022765.40  
E. = 2601597.20

STA. 118+65  
REMOVE  
EXIST 18" CMP CULVERT  
FOR INSTALLATION OF PROP. 16" WL  
FURNISH & INSTALL  
30 LF 18" CGMP CULVERT  
W/2 TxDOT TYPE II PREFABRICATED  
GALVANIZED STEEL SAFETY END  
TREATMENTS WITH RIPRAP.  
MATCH EXIST. DITCH FLOWLINES

STA. 119+58  
REMOVE  
EXIST 12" RCP CULVERT  
FOR INSTALLATION OF PROP. 16" WL  
FURNISH & INSTALL  
28 LF 12" CGMP CULVERT  
W/2 TxDOT TYPE II PREFABRICATED  
GALVANIZED STEEL SAFETY END  
TREATMENTS WITH RIPRAP.  
MATCH EXIST. DITCH FLOWLINES

STA. 123+00  
FURNISH & INSTALL  
1-FIRE HYDRANT

STA. 124+55  
REMOVE  
EXIST 18" CMP CULVERT  
FOR INSTALLATION OF PROP. 16" WL  
FURNISH & INSTALL  
32 LF 18" CGMP CULVERT  
W/2 TxDOT TYPE II PREFABRICATED  
GALVANIZED STEEL SAFETY END  
TREATMENTS WITH RIPRAP.  
MATCH EXIST. DITCH FLOWLINES

STA. 125+79  
REMOVE  
EXIST 18" CMP CULVERT  
FOR INSTALLATION OF PROP. 16" WL  
FURNISH & INSTALL  
49 LF 18" CGMP CULVERT  
W/2 TxDOT TYPE II PREFABRICATED  
GALVANIZED STEEL SAFETY END  
TREATMENTS WITH RIPRAP.  
MATCH EXIST. DITCH FLOWLINES

STA. 126+46  
REMOVE  
EXIST 18" CMP CULVERT  
FOR INSTALLATION OF PROP. 16" WL  
FURNISH & INSTALL  
40 LF 18" CGMP CULVERT  
W/2 TxDOT TYPE II PREFABRICATED  
GALVANIZED STEEL SAFETY END  
TREATMENTS WITH RIPRAP.  
MATCH EXIST. DITCH FLOWLINES

118+00

119+00

120+00

121+00

122+00

123+00

124+00

125+00

126+00

127+00

530

535

540

545

550

555

560

565

570

575

530

535

540

545

550

555

560

565

570

575

530

535

540

545

550

555

560

565

570

575

530

535

540

545

550

555

560

565

570

575

530

535

540

545

550

555

560

565

570

575

530

535

540

545

550

555

560

565

570

575

530

535

540

545

550

555

560

565

570

575

530

535

540

545

550

555

560

565

570

575

530

535

540

545

550

555

560

565

570

575

530

535

540

545

550

555

560

565

570

575

530

535

540

545

550

555

560

565

570

575

530

535

540

545

550

555

560

565

570

575

530

535

540

545

550

555

560

565

570

575

530

535

540

545

550

555

560

565

570

575

530

535

540

545

550

555

560

565

570

575

530

535

540

545

550

555

560

565

570

575

530

535

540

545

550

555

560

565

570

575

530

535

540

545

550

555

560

565

570

575

530

535

540

545

550

555

560

565

570

575

530

535

540

545

550

555

560

565

570

575

530