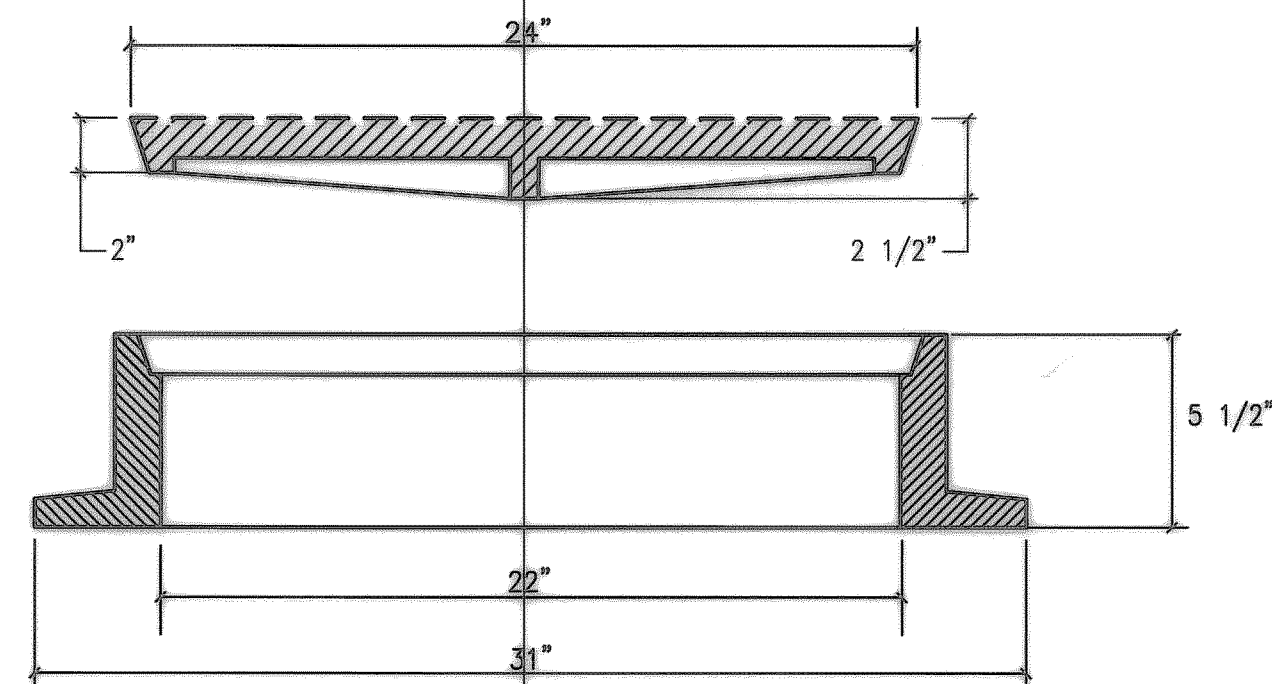
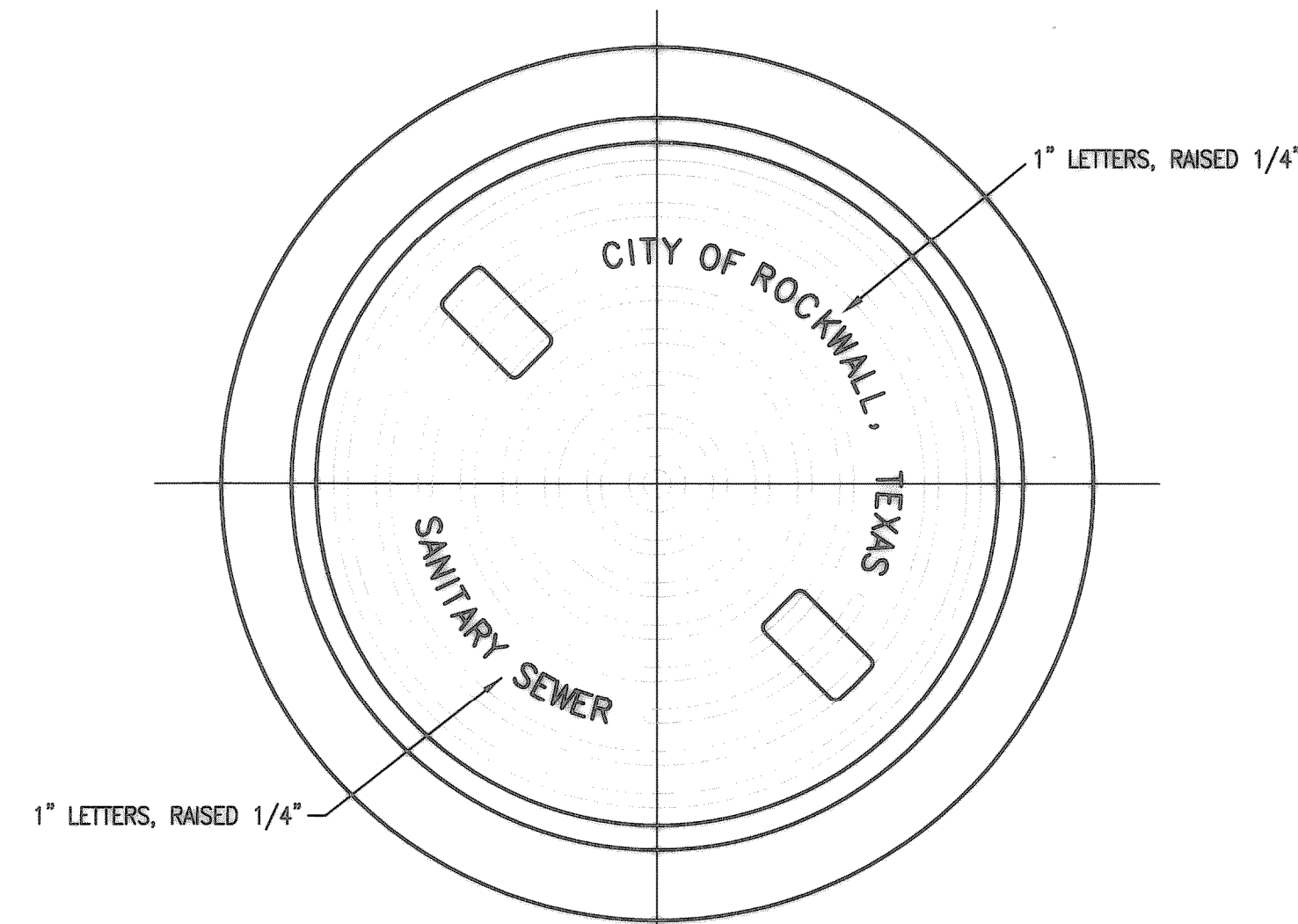


**STANDARD SEWER NOTES**

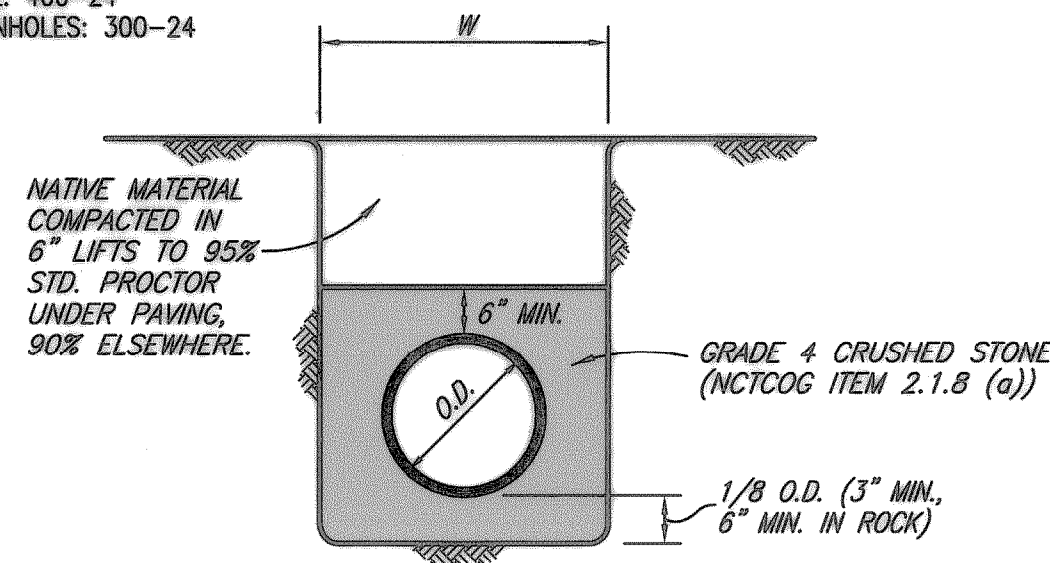
1. WATER AND SEWER LINES SHALL BE CONSTRUCTED IN ACCORDANCE WITH THE CURRENT CITY OF ROCKWALL, SPECIFICATIONS AND CODES.
2. FOR OPEN CUT SEWER REPLACEMENT, DETECTABLE TRACER (TERRA TAPE OR APPROVED EQUIVALENT) SHALL BE LAID WITH PVC PIPE AND CONNECTED TO ALL FITTINGS. TAPE SHALL BE LAID 6" ABOVE THE TOP OF PIPE, THE BACKFILL MATERIAL, OR ON TOP OF SAND BACKFILL.
3. SANITARY SEWER PIPE SHALL BE SDR-35 PVC UNLESS OTHERWISE SHOWN ON THE PLANS OR APPROVED BY THE CITY ENGINEER. IN SIZES OVER 15" IN DIAMETER, THE TYPE OF MATERIAL SHALL BE AS SPECIFIED IN THE PLANS.
4. MANHOLE FRAMES AND 24" DIAMETER COVER WITH THE "CITY OF ROCKWALL, TEXAS" MANUFACTURED BY THE VULCAN FOUNDRY, INC.-CATALOG NO. V-1342, BASS AND HAYS FOUNDRY-CATALOG NO. 300-24, OR APPROVED EQUAL SHALL BE FURNISHED FOR ALL SANITARY SEWER MANHOLES. THIS FRAME AND COVER IS STOCKED BY SEVERAL SUPPLIERS IN THIS AREA.
5. CLASS "C" CONC. (3600 PSI AT 28 DAYS) OR PRECAST REINF. CONC. SHALL BE USED FOR ALL MANHOLES CONSTRUCTED IN STREET.
6. USE ONLY A NON-SHEAR COUPLING FOR PIPE CONNECTIONS.
7. WHEN THE TRENCH SAFETY EXCEEDS 5 FEET IN DEPTH, THE CONTRACTOR SHALL MEET OR EXCEED THE O.S.H.A. STANDARDS FOR TRENCH SAFETY.



**MANHOLE RING AND COVER**

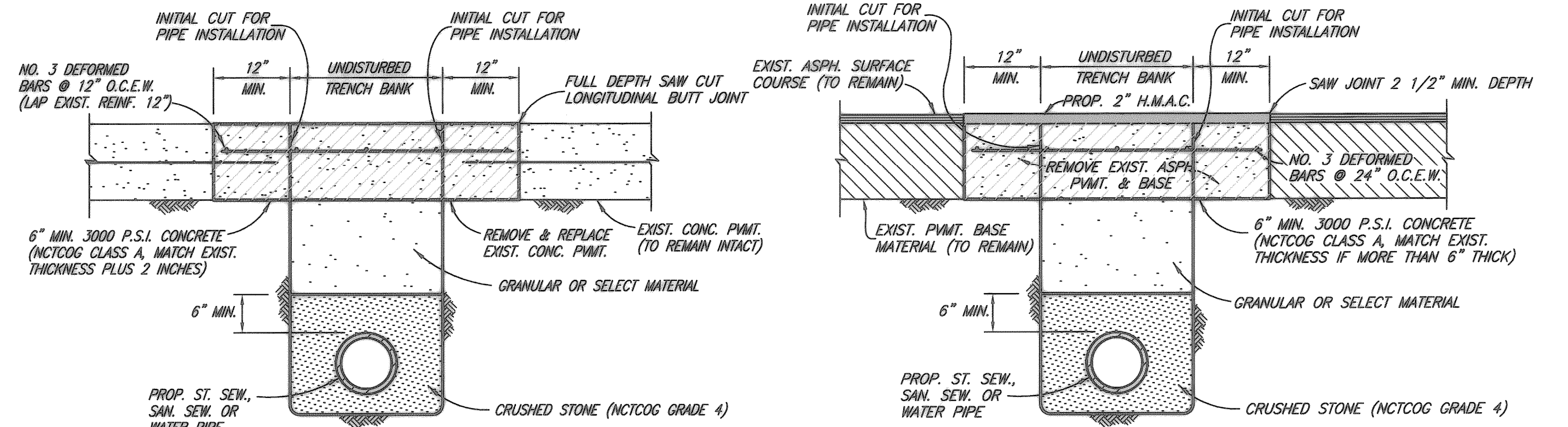
WITH LOCKING DEVICE & PICK SLOTS

BASS AND HAYS FOUNDRY, INC.  
TRAFFIC BEARING MANHOLE: 400-24  
NON TRAFFIC BEARING MANHOLES: 300-24



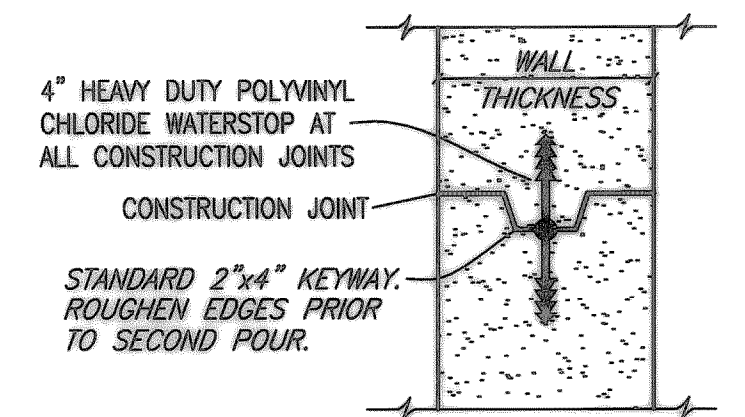
**CLASS H EMBEDMENT**

P.V.C. PIPE ONLY  
STD. P.V.C. SEWER



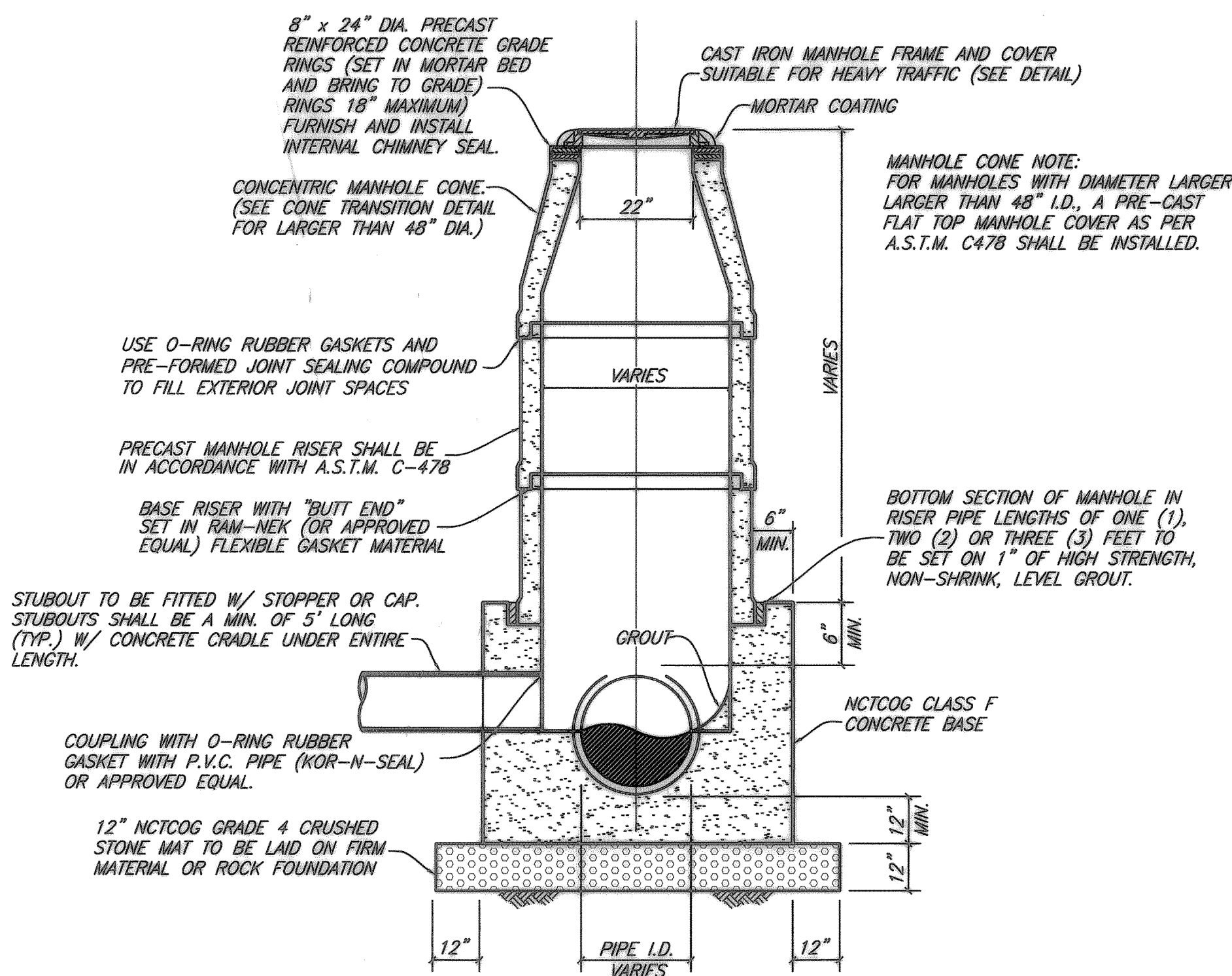
**CONCRETE STREET OR DRIVEWAY REPAIR**

**ASPHALT STREET OR DRIVEWAY REPAIR**



**MANHOLE CONSTRUCTION JOINT**

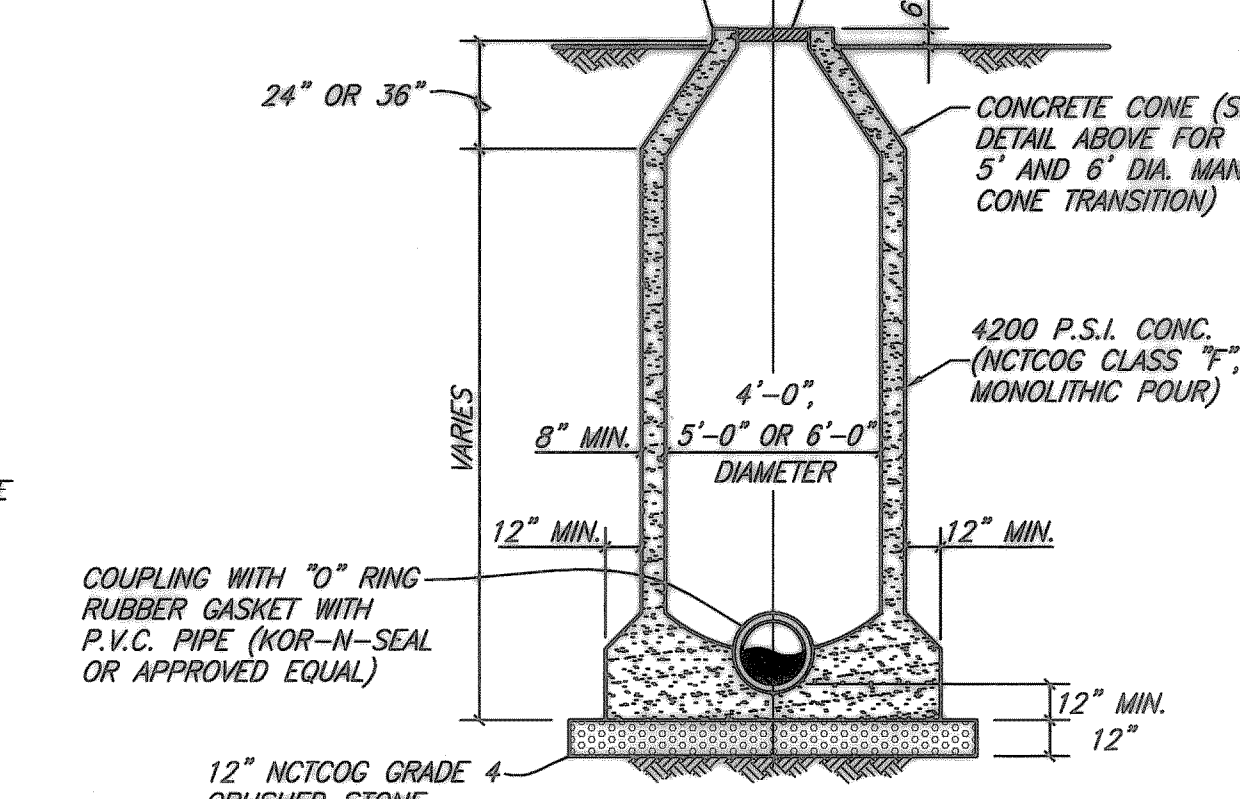
KEYWAY WITH WATERSTOP



**PRECAST CONCRETE MANHOLE**

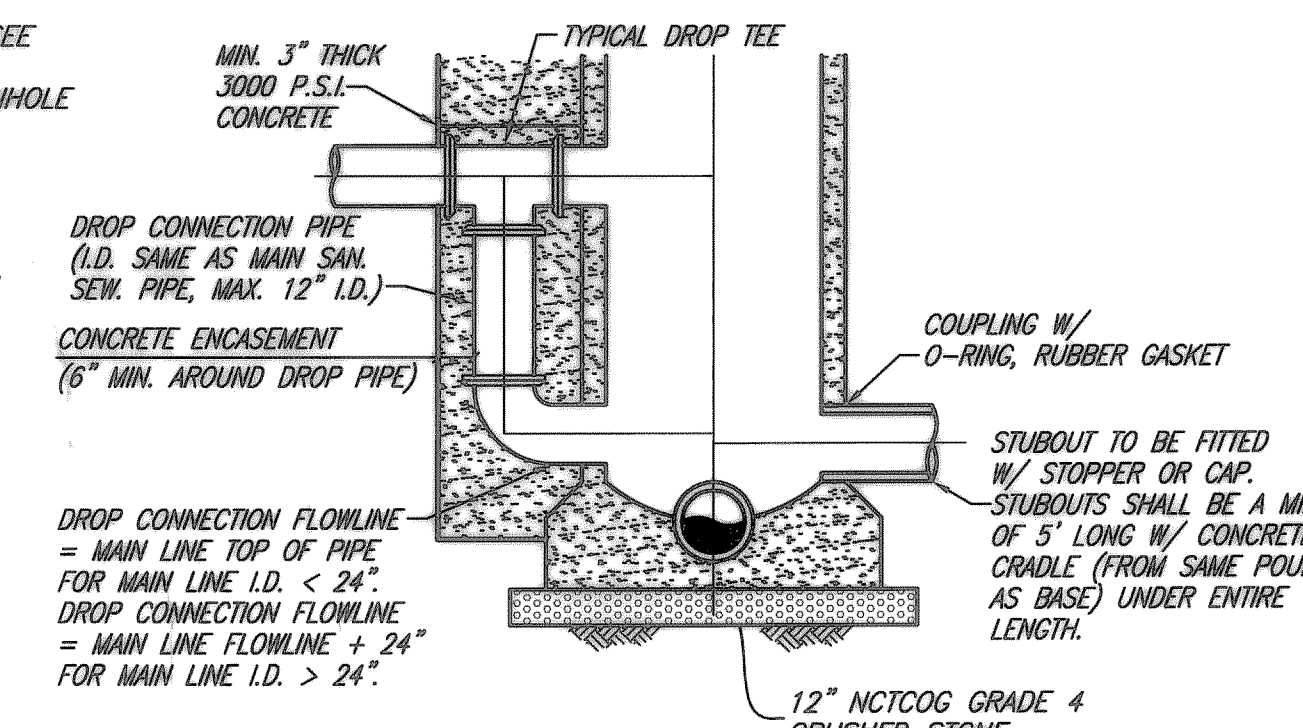
NOTE:  
ALL JOINTS IN PRECAST MANHOLE SHALL BE SEALED ON OUTSIDE OF MANHOLE WITH AQUAGARD SHRINK SEAL.

PRECAST CONCRETE ADJUSTMENT GRADE RINGS (SET IN MORTAR BED AND BRING TO GRADE). MAXIMUM ADJUSTMENT 18 INCHES. FURNISH & INSTALL INTERNAL CHIMNEY SEALS.



**STANDARD MANHOLE ELEVATION**

4', 5' & 6' DIAMETER MANHOLES



**MANHOLE WITH DROP CONNECTION**

5' & 6' DIAMETER MANHOLES (MIN. 5' DIA.)

**SANITARY SEWER MANHOLE (CAST IN PLACE)**

REVISED TO CONFORM TO CONSTRUCTION RECORDS BY P.A.C. DATE 01/12/2005

These plans and related specifications were prepared for construction of this specific project only. Reuse of these documents is not permitted without written authorization of Birkhoff, Hendricks & Conway, L.L.P.

**CITY OF ROCKWALL, TEXAS**

**HIGHWOOD SANITARY SEWER REHABILITATION**

**GENERAL NOTES & DETAILS**

**BIRKHOFF, HENDRICKS & CONWAY, L.L.P.**  
CONSULTING ENGINEERS  
Dallas, Texas

THESE DOCUMENTS ARE FOR BIDDING, CONSTRUCTION, AND PERMIT PURPOSES.  
DATE: 7/24/02



DESIGNED BY: P.A.C. PROJECT: 2000 101 SHEET NO. 10  
DRAWN BY: B.H. & C. DATE: JULY, 2002 OF 10 SHEETS

BLOCKS: SCALE: 1=20 01/24/2002 TJH