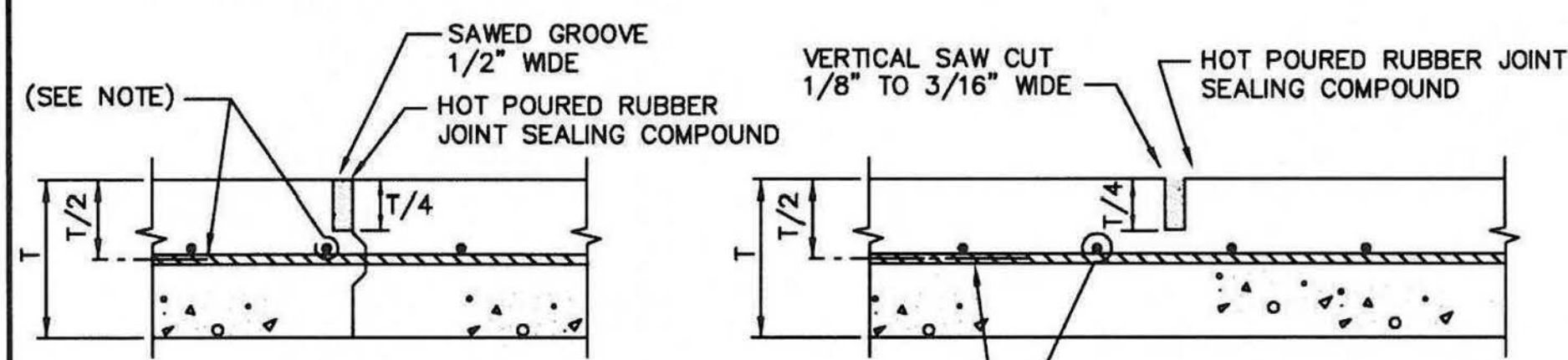


**CONSTRUCTION JOINT**

N.T.S.



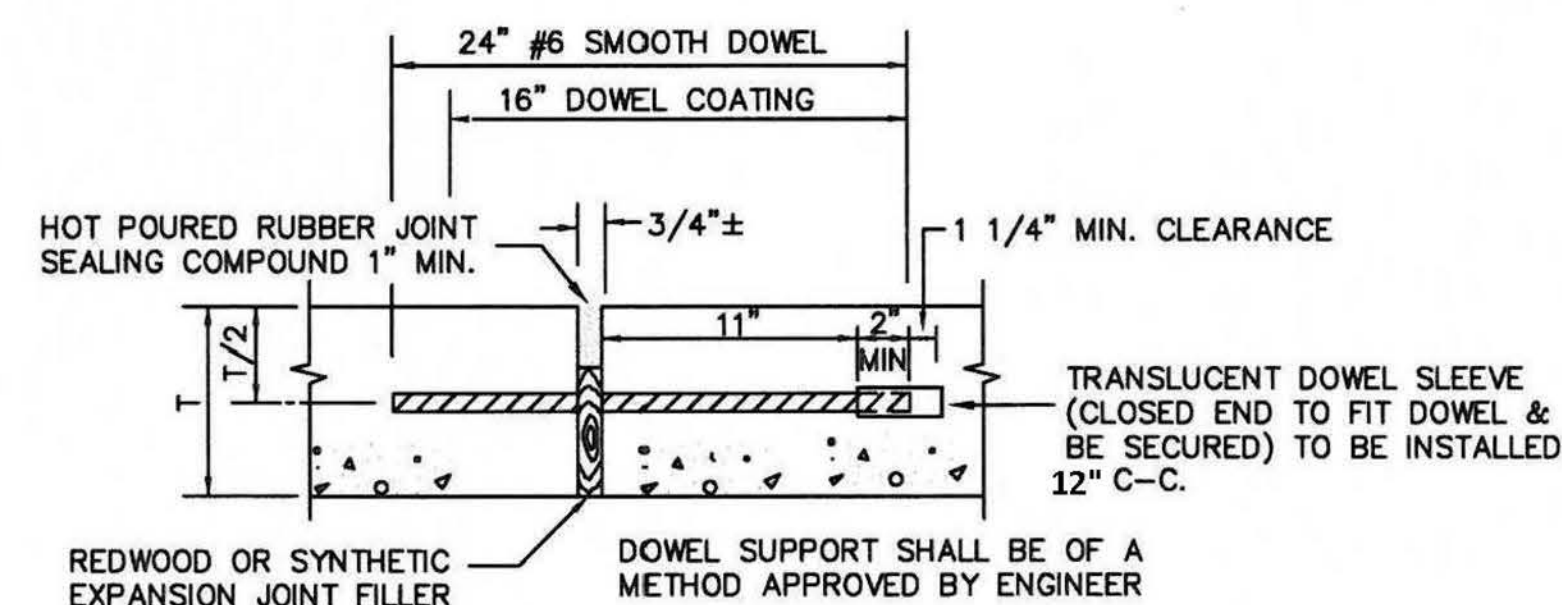
**KEYWAY JOINT**

(FOR PAVEMENT THICKNESS > 6")  
N.T.S.

**SAWED CONTRACTION JOINT**

N.T.S.

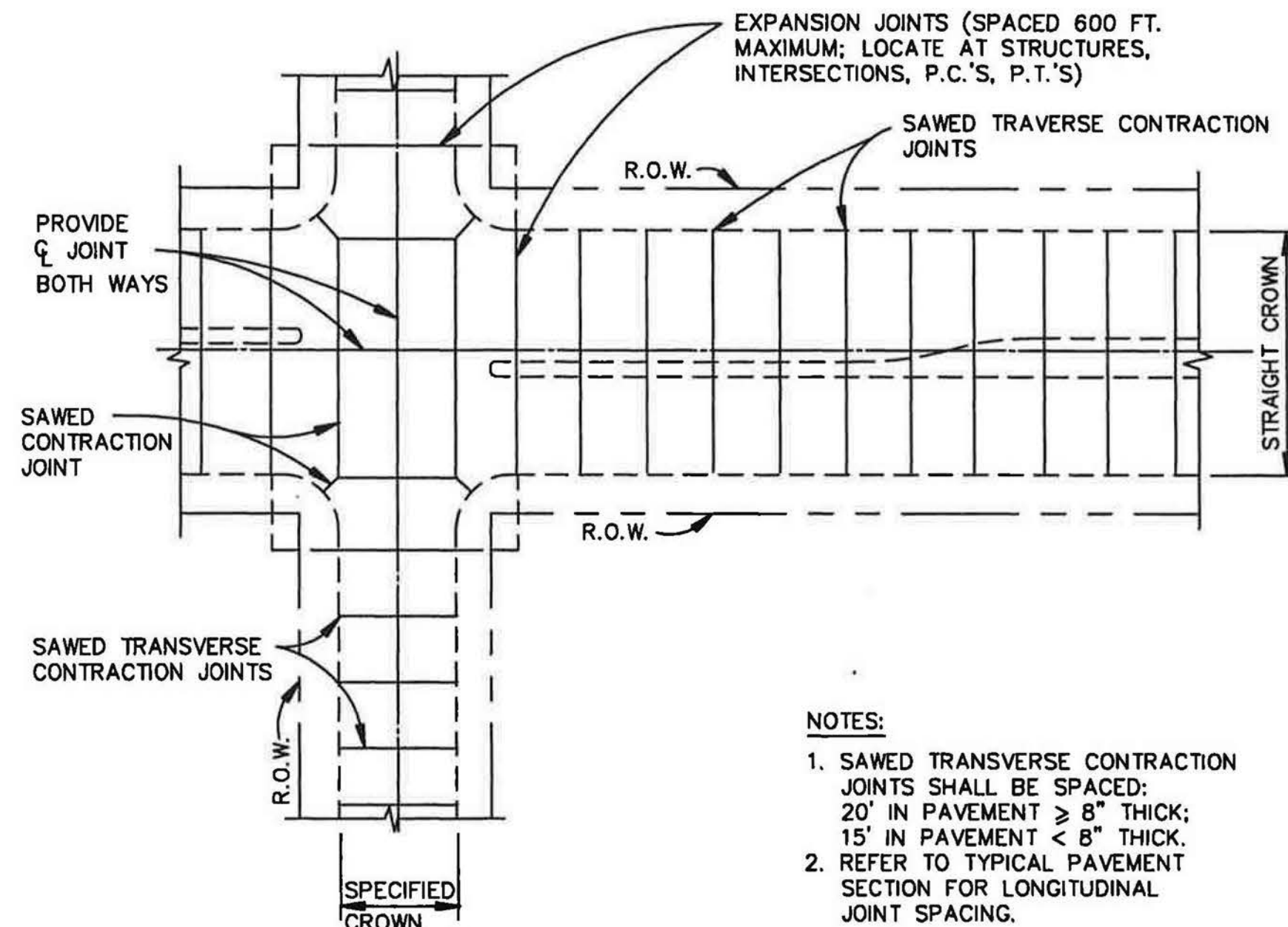
**NOTE:**  
REINFORCING SHALL BE -#3 BARS AT 24" FOR 6"  
THICK PAVEMENT AND LESS. #4 BARS AT 18"  
FOR 8" THICK PAVEMENT AND GREATER.



**EXPANSION JOINT**

(SPACED 600 FT. MAXIMUM; LOCATE AT  
STRUCTURES AND AT INTERSECTION P.C.'S & P.T.'S)  
N.T.S.

REINFORCED CONCRETE PAVEMENT	CITY OF ROCKWALL	STANDARD SPECIFICATION REFERENCE	303.5.4.
JOINTS		DATE	Mar. 2018
		STANDARD DRAWING NO.	R-2050

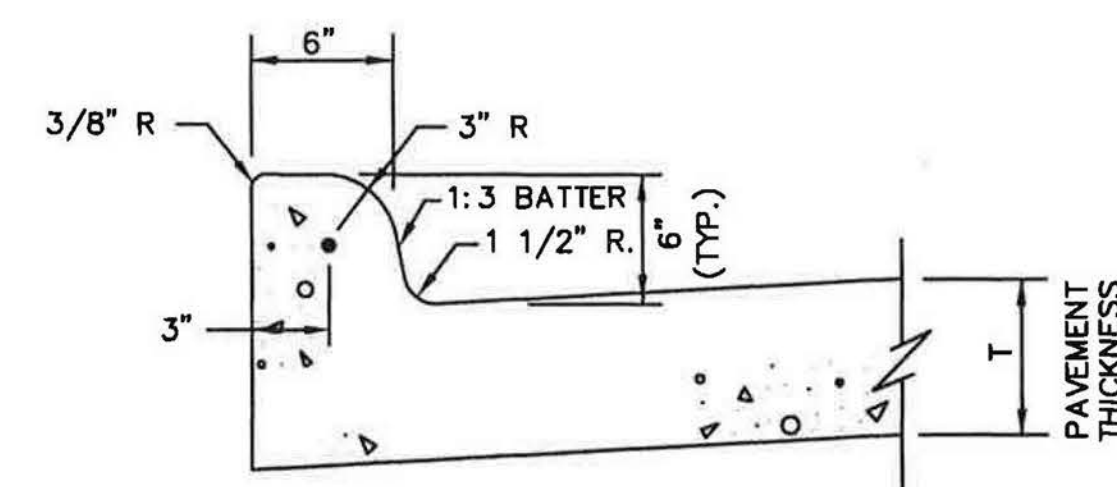


**SPACING DIAGRAM FOR TRANSVERSE JOINTS**

N.T.S.

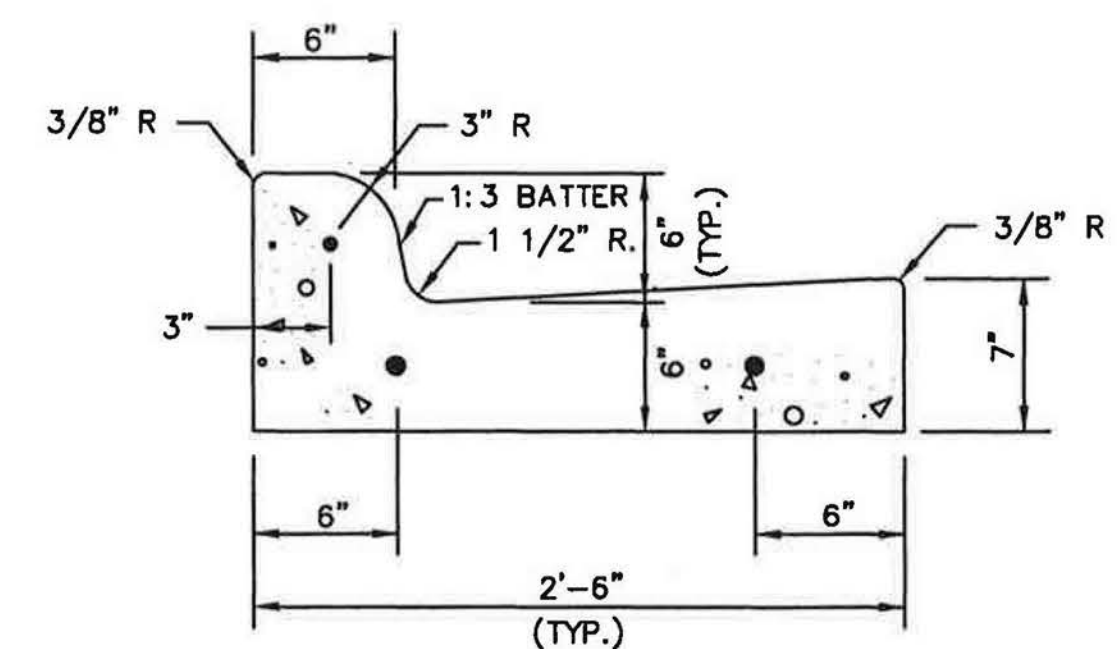
**NOTES:**  
1. SAWED TRANSVERSE CONTRACTION JOINTS SHALL BE SPACED: 20' IN PAVEMENT ≥ 8" THICK; 15' IN PAVEMENT < 8" THICK. REFER TO TYPICAL PAVEMENT SECTION FOR LONGITUDINAL JOINT SPACING.

REINFORCED CONCRETE PAVEMENT	North Central Texas Council of Governments	STANDARD SPECIFICATION REFERENCE	303.5.4.
TRANSVERSE JOINT SPACING		DATE	OCT. '04
		STANDARD DRAWING NO.	2060



**INTEGRAL CURB & GUTTER**

N.T.S.



**SEPARATE CURB & GUTTER**

N.T.S.

**NOTES:**  
1. REINFORCEMENT SHALL BE NO. 4 BARS, UNLESS OTHERWISE SPECIFIED.  
2. CONCRETE SHALL BE CLASS "C" OR "PC".  
3. "CF" IS 6" UNLESS OTHERWISE SPECIFIED.  
4. ALL CURBS ARE CONSTRUCTED OF PORTLAND CEMENT CONCRETE UNLESS OTHERWISE SHOWN.  
5. GRADE SHALL BE MEASURED AT BACK OF CURB.

CONCRETE CURB & GUTTER	North Central Texas Council of Governments	STANDARD SPECIFICATION REFERENCE	305.1
INTEGRAL, SEPARATE, & DOWELED		DATE	OCT. '04
		STANDARD DRAWING NO.	2120

Drawing: P:\PROJECTS\RM\82019\CAD\Sheets\PHASE 1 - NORTH\52 PAVING DETAILS 9 OF 9.dwg at Sep 27, 2019 10:43am by jbellie  
Layout: 44 PAVING DETAILS 1 OF 9.dwg

no.	revision	by	date

**teague nall and perkins, inc**  
825 Watters Creek Blvd., Suite M300  
Allen, Texas 75013  
214.461.9867 ph 214.461.9864 fx  
www.tnpsc.com  
TBPE: F-230; TBPLS: 10011600, 10011601, 10194381

City of Rockwall  
The New Horizon

scale  
when bar is  
1 inch long  
horiz  
N/A  
vert  
N/A  
SEP 2019

**RECORD DOCUMENTS**  
THESE PLANS ARE FOR THE OWNER'S USE AS RECORD SET OF THE CONSTRUCTED PROJECT, AND REFLECT REVISIONS AND CONSTRUCTION RELATED CHANGES AS RECORDED BY THE CONTRACTOR. CHANGES MADE FROM THE ORIGINAL CONSTRUCTION DOCUMENTS DO NOT DEPICT ENGINEERING AND ARE NOT THE RESPONSIBILITY OF TEAGUE NALL & PERKINS, INC. OR THE ENGINEER OF RECORD ON THE ORIGINAL DOCUMENTS. ORIGINAL PLANS RELEASED FOR CONSTRUCTION WERE SEALED BY GYANENDRA POKHREL, P.E. NO. 118159 ON 09/28/2018.

CITY OF ROCKWALL, TEXAS  
**HIGHLAND DRIVE RECONSTRUCTION, PHASE I**  
(DRIFTWOOD STREET TO BEDFORD FALLS LANE)  
**PAVING DETAILS 1 OF 9**

tnp project  
RWL18219  
sheet  
**42**