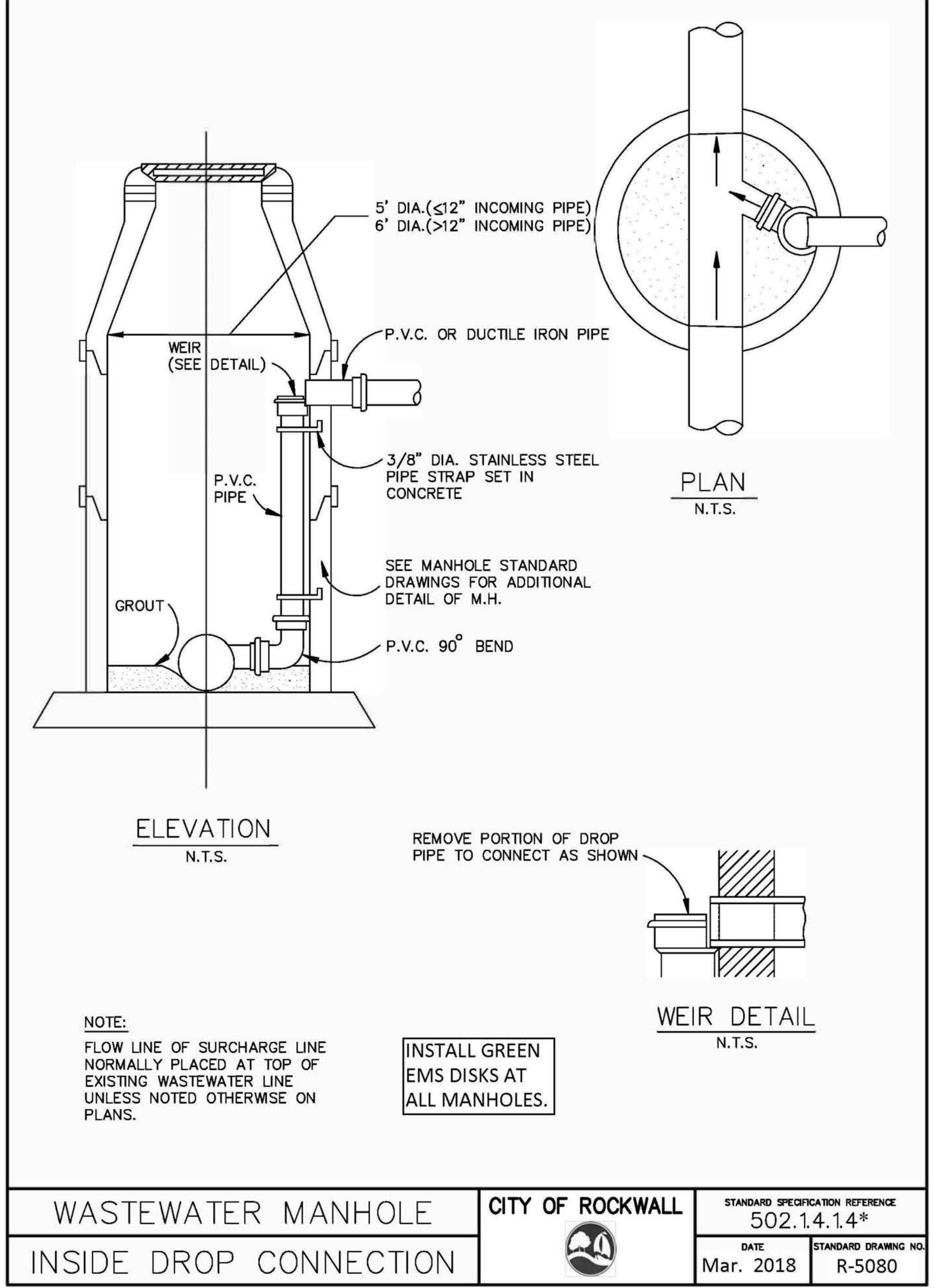
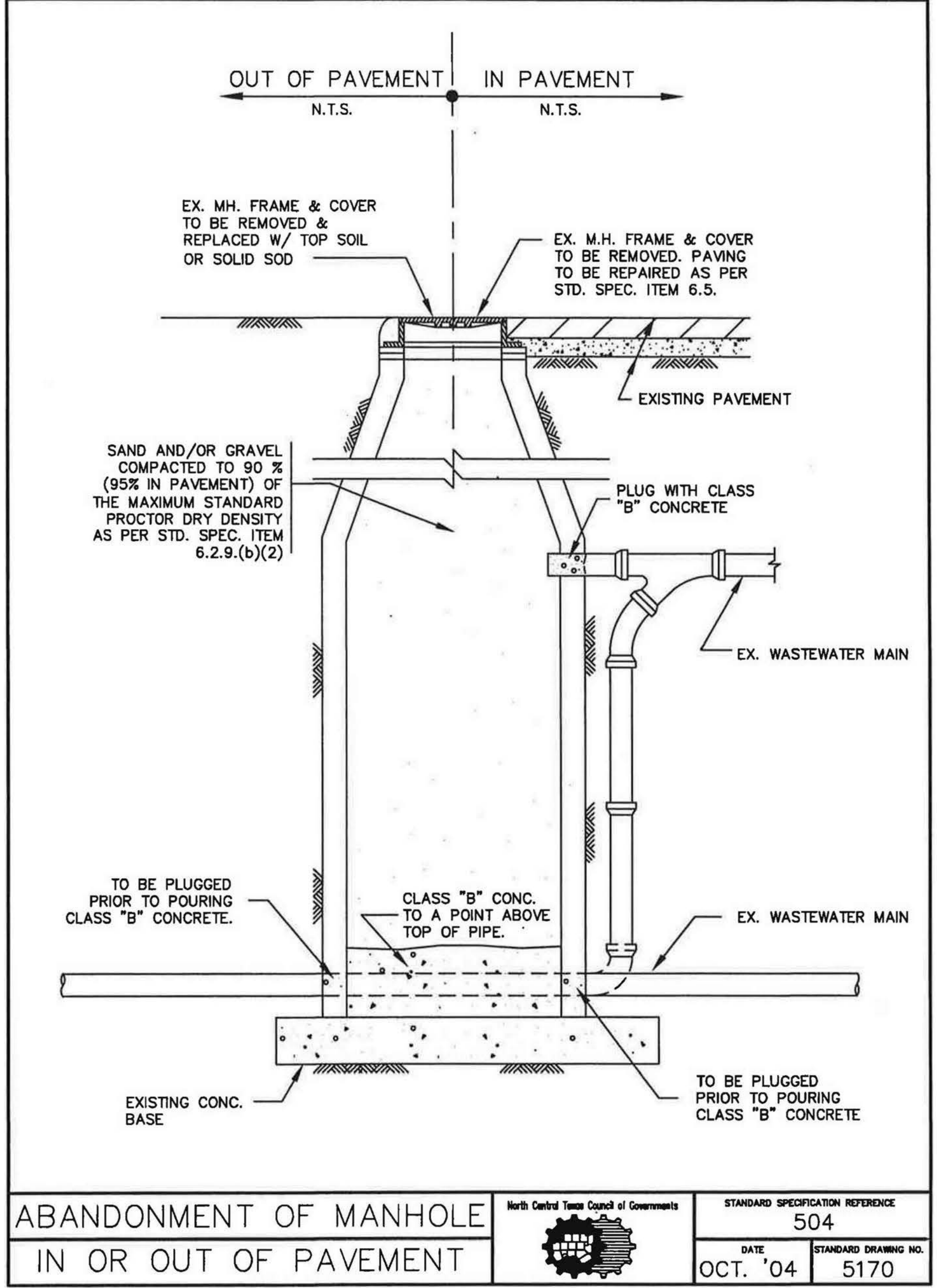


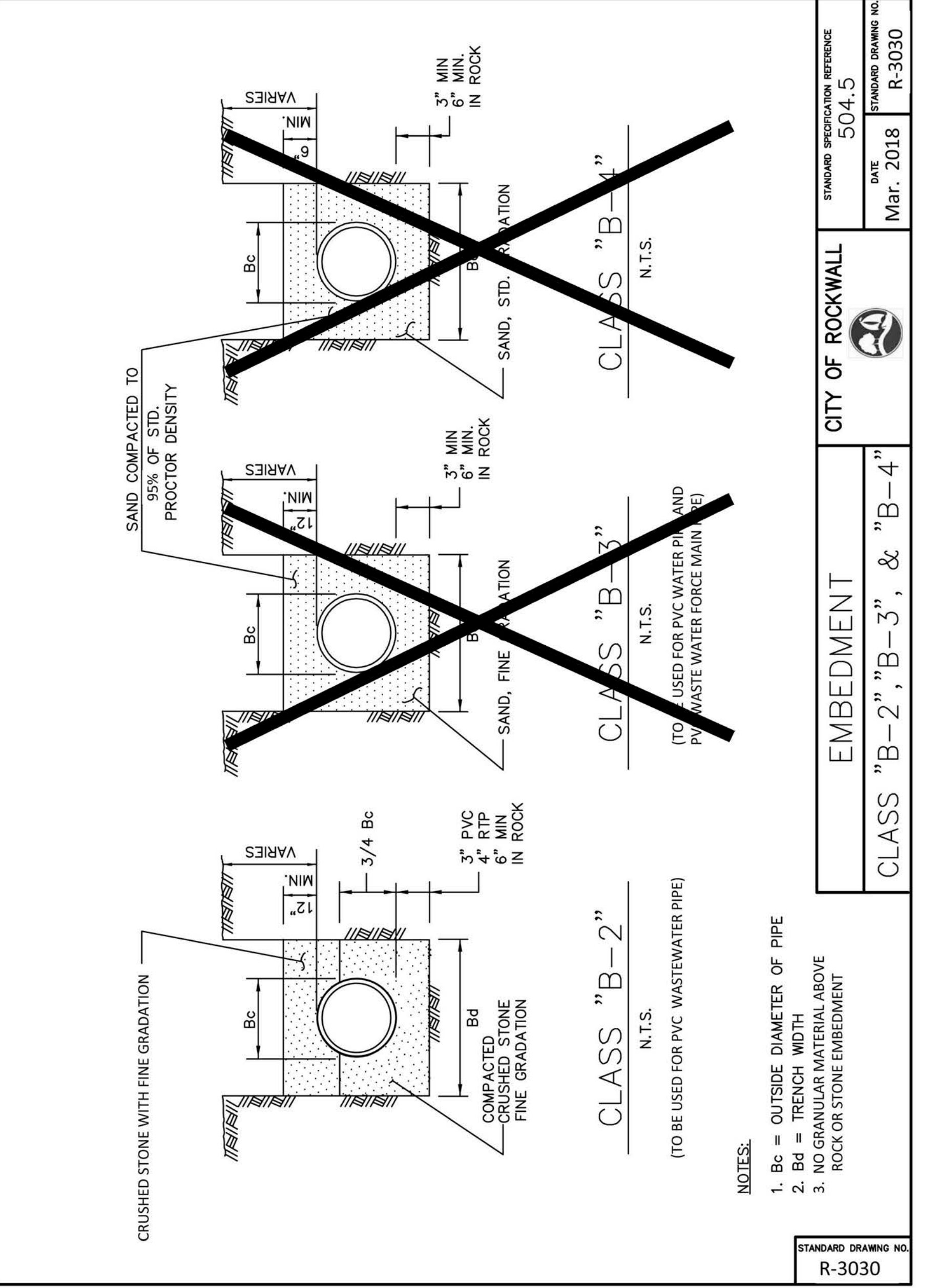
Drawing: P:\PROJECTS\RM\18219\CAD\Sheets\Phase 1 - NORTH\26 WASTEWATER DETAILS 4 OF 4.dwg at Sep 27, 2018-10:37am by jeballe
 Layout: 26 WASTEWATER DETAILS 4 OF 4.dwg at Sep 27, 2018-10:37am by jeballe



WASTEWATER MANHOLE INSIDE DROP CONNECTION	CITY OF ROCKWALL	STANDARD SPECIFICATION REFERENCE 502.14.14*	
		DATE Mar. 2018	STANDARD DRAWING NO. R-5080



ABANDONMENT OF MANHOLE IN OR OUT OF PAVEMENT	North Central Texas Council of Governments	STANDARD SPECIFICATION REFERENCE 504	
		DATE OCT. '04	STANDARD DRAWING NO. 5170



EMBEDMENT CLASS "B-2", "B-3", & "B-4"	CITY OF ROCKWALL	STANDARD SPECIFICATION REFERENCE 504.5	
		DATE Mar. 2018	STANDARD DRAWING NO. R-3030

- NOTES:
1. Bc = OUTSIDE DIAMETER OF PIPE
 2. Bd = TRENCH WIDTH
 3. NO GRANULAR MATERIAL ABOVE ROCK OR STONE EMBEDMENT

no.	revision	by	date

teague nall and perkins, inc
 825 Watters Creek Blvd., Suite M300
 Allen, Texas 75013
 214.461.9867 ph 214.461.9864 fx
 www.tnpsc.com
 TBPE: F-230; TBPLS: 10011600, 10011601, 10194381

City of Rockwall
The New Horizon

scale
when bar is
1 inch long
horiz
N/A
vert
N/A
SEP 2019

RECORD DOCUMENTS
 THESE PLANS ARE FOR THE OWNER'S USE AS RECORD SET OF THE CONSTRUCTED PROJECT, AND REFLECT REVISIONS AND CONSTRUCTION RELATED CHANGES AS RECORDED BY THE CONTRACTOR. CHANGES MADE FROM THE ORIGINAL CONSTRUCTION DOCUMENTS DO NOT DEPICT ENGINEERING AND ARE NOT THE RESPONSIBILITY OF TEAGUE NALL & PERKINS, INC. OR THE ENGINEER OF RECORD ON THE ORIGINAL DOCUMENTS. ORIGINAL PLANS RELEASED FOR CONSTRUCTION WERE SEALED BY GYANENDRA POKHREL, P.E. NO. 118159 ON 09/28/2018.

CITY OF ROCKWALL, TEXAS
HIGHLAND DRIVE RECONSTRUCTION, PHASE I
 (DRIFTWOOD STREET TO BEDFORD FALLS LANE)
WASTEWATER DETAILS 4 OF 4

tnp project
RWL18219
sheet
27