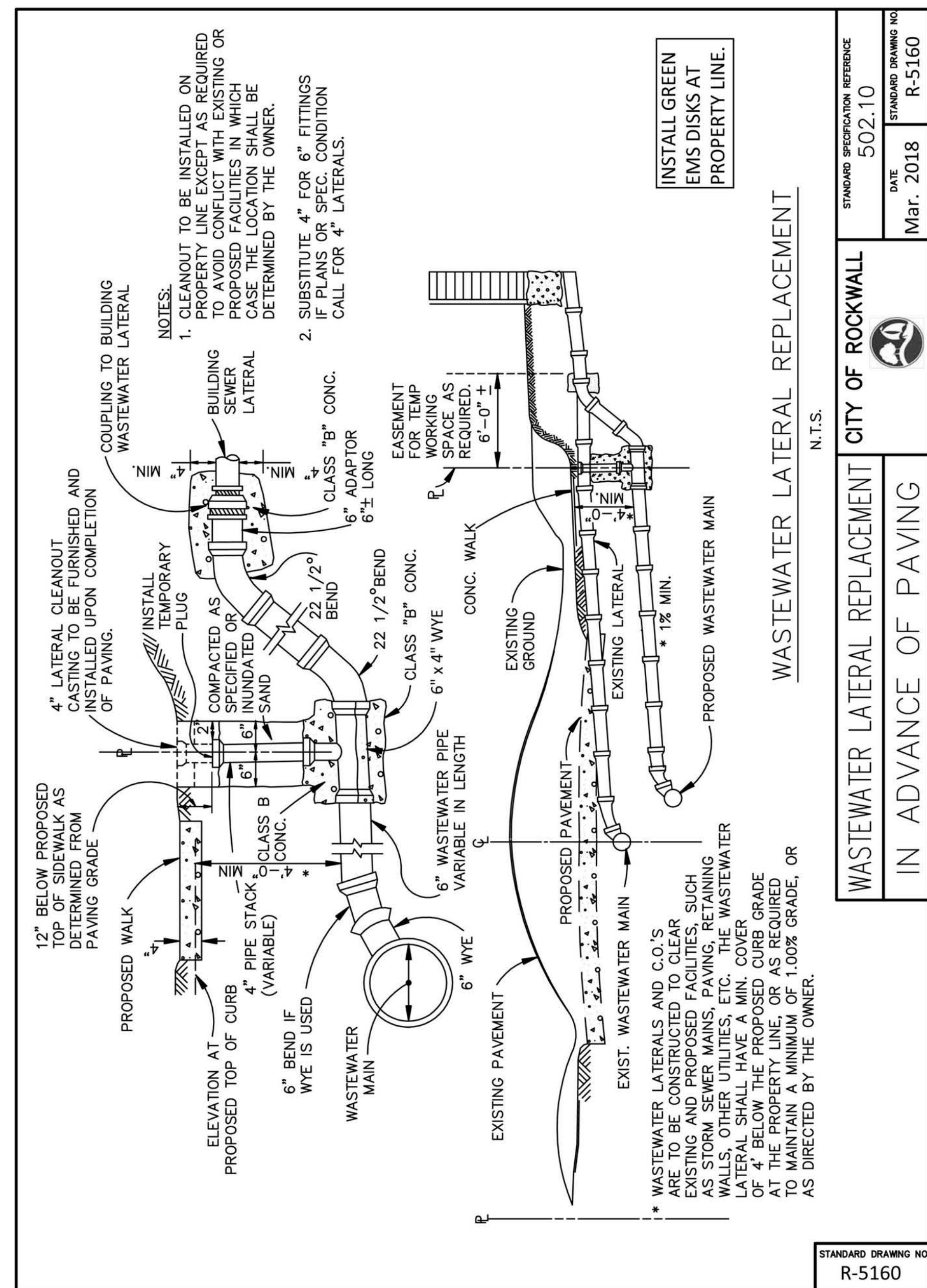
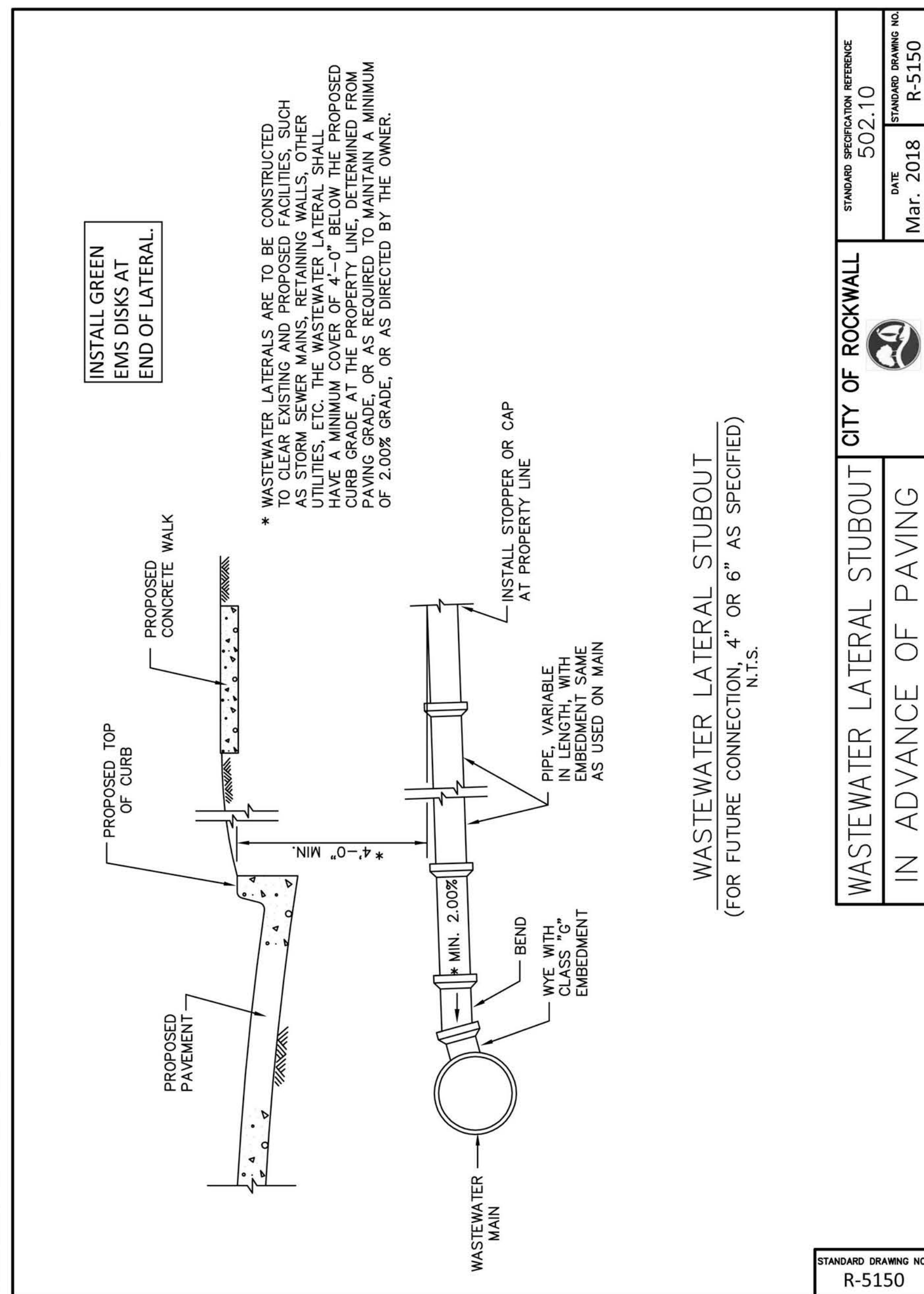
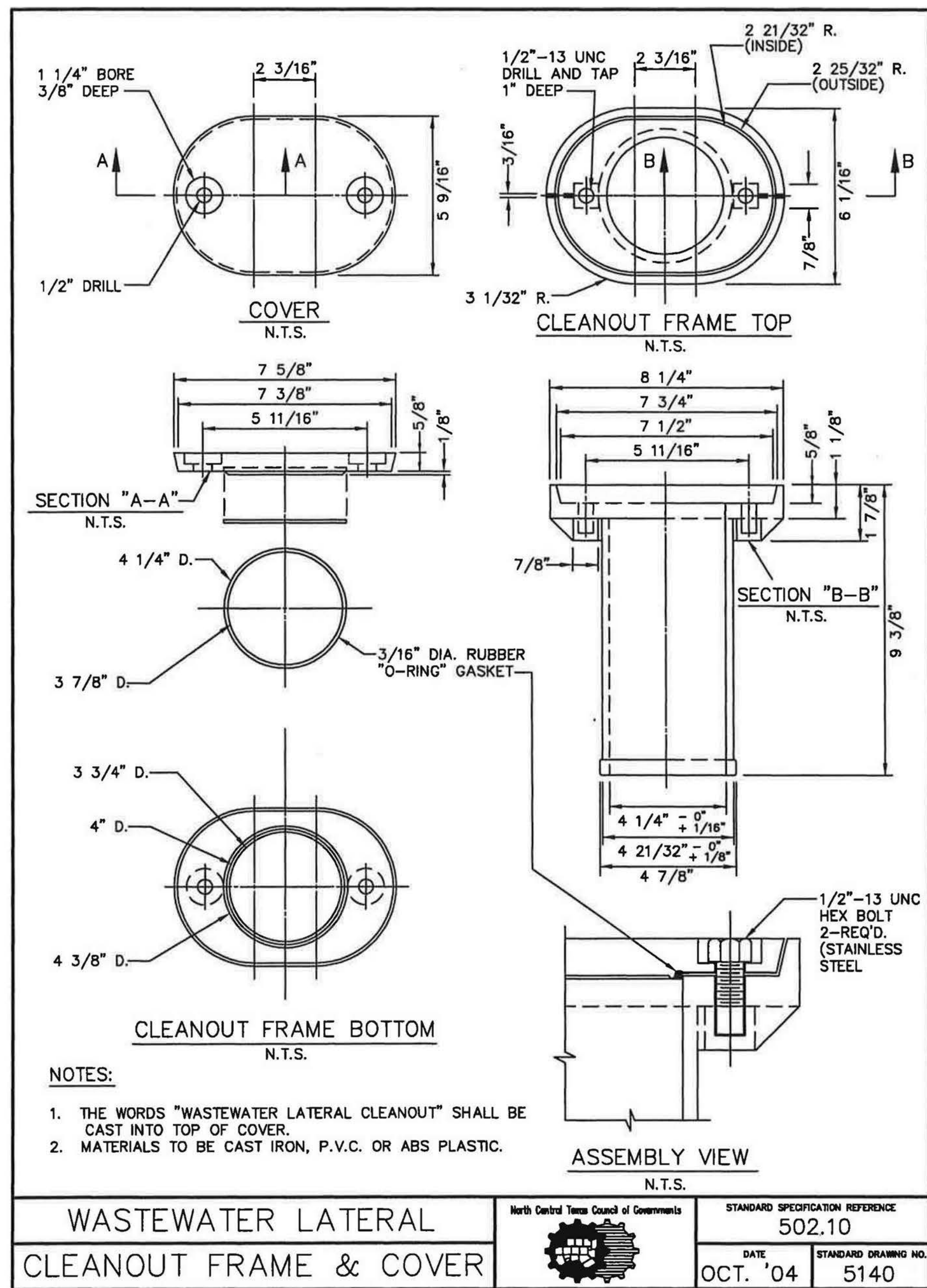


Drawing: P:\PROJECTS\RM\18219\CAD\Sheets\Phase 1 - NORTH\26 WASTEWATER DETAILS 4 OF 4.dwg at Sep 27, 2019 - 10:35am by jeholle
 Layout: 26 WASTEWATER DETAILS 3 OF 4 .xref: xref-borders.dwg



no.	revision	by	date

teague nall and perkins, inc
 825 Watters Creek Blvd., Suite M300
 Allen, Texas 75013
 214.461.9867 ph 214.461.9864 fx
 www.tnppinc.com
 TBPE: F-230; TBPLS: 10011600, 10011601, 10194381

City of Rockwall
The New Horizon

scale
 when bar is
 1 inch long

horiz
 N/A

vert
 N/A

SEP 2019

tnp

RECORD DOCUMENTS

THESE PLANS ARE FOR THE OWNER'S USE AS RECORD SET OF THE CONSTRUCTED PROJECT, AND REFLECT REVISIONS AND CONSTRUCTION RELATED CHANGES AS RECORDED BY THE CONTRACTOR. CHANGES MADE FROM THE ORIGINAL CONSTRUCTION DOCUMENTS DO NOT DEPICT ENGINEERING AND ARE NOT THE RESPONSIBILITY OF TEAGUE NALL & PERKINS, INC. OR THE ENGINEER OF RECORD ON THE ORIGINAL DOCUMENTS. ORIGINAL PLANS RELEASED FOR CONSTRUCTION WERE SEALED BY GYANENDRA POKHREL, P.E. NO. 118159 ON 09/28/2018.

CITY OF ROCKWALL, TEXAS
HIGHLAND DRIVE RECONSTRUCTION, PHASE I
 (DRIFTWOOD STREET TO BEDFORD FALLS LANE)
WASTEWATER DETAILS 3 OF 4

tnp project
 RWL18219

sheet
26