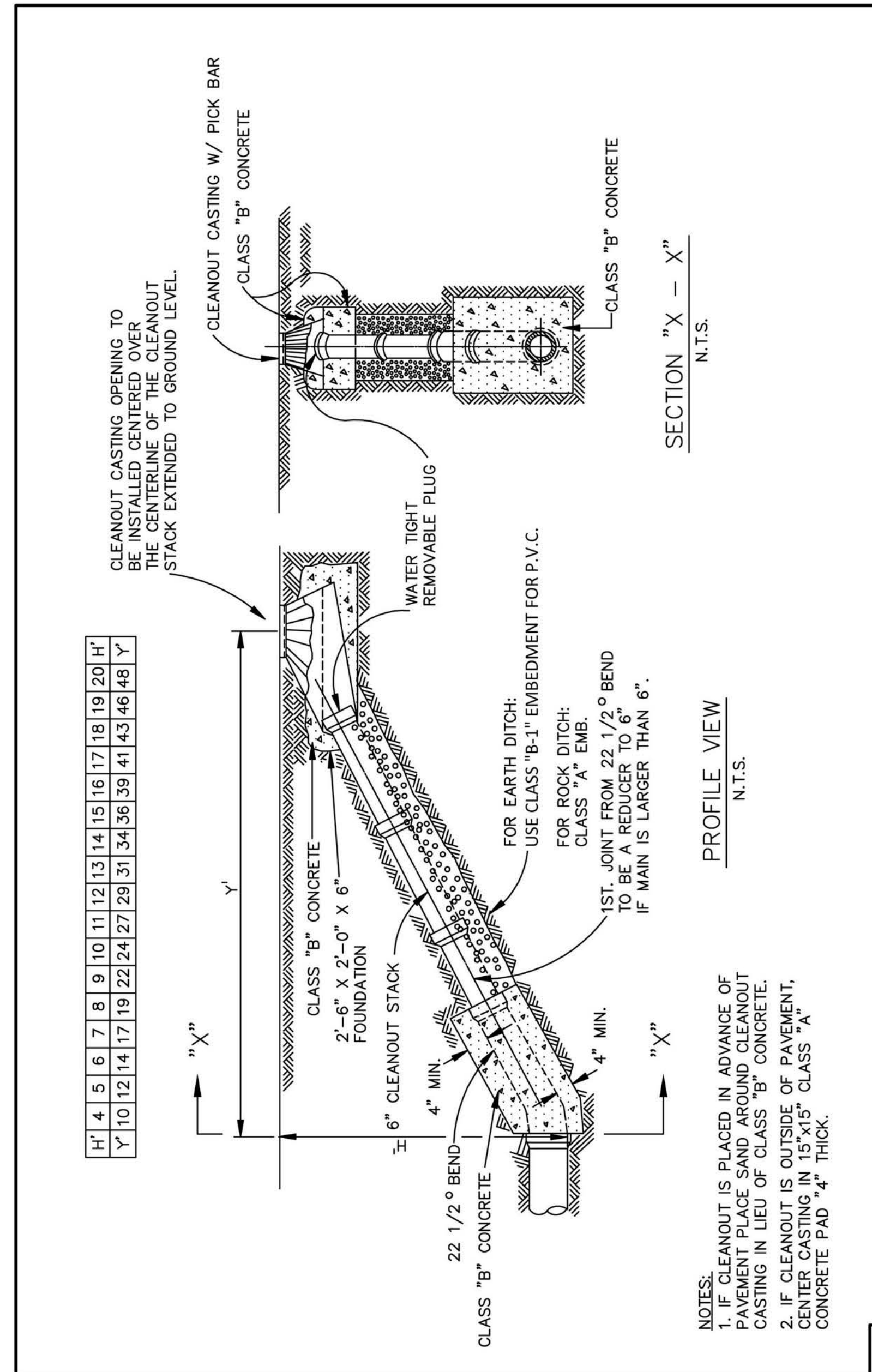
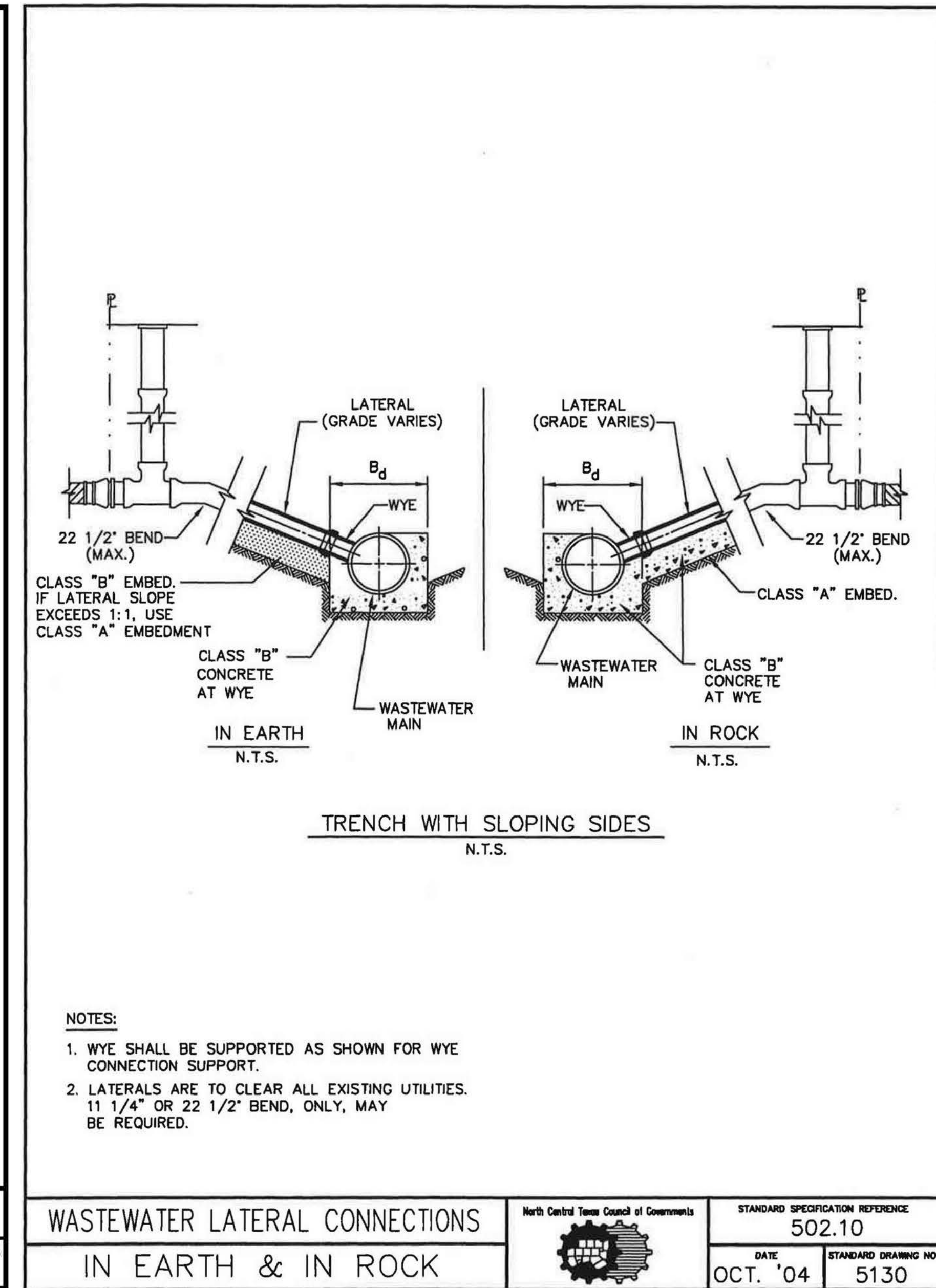
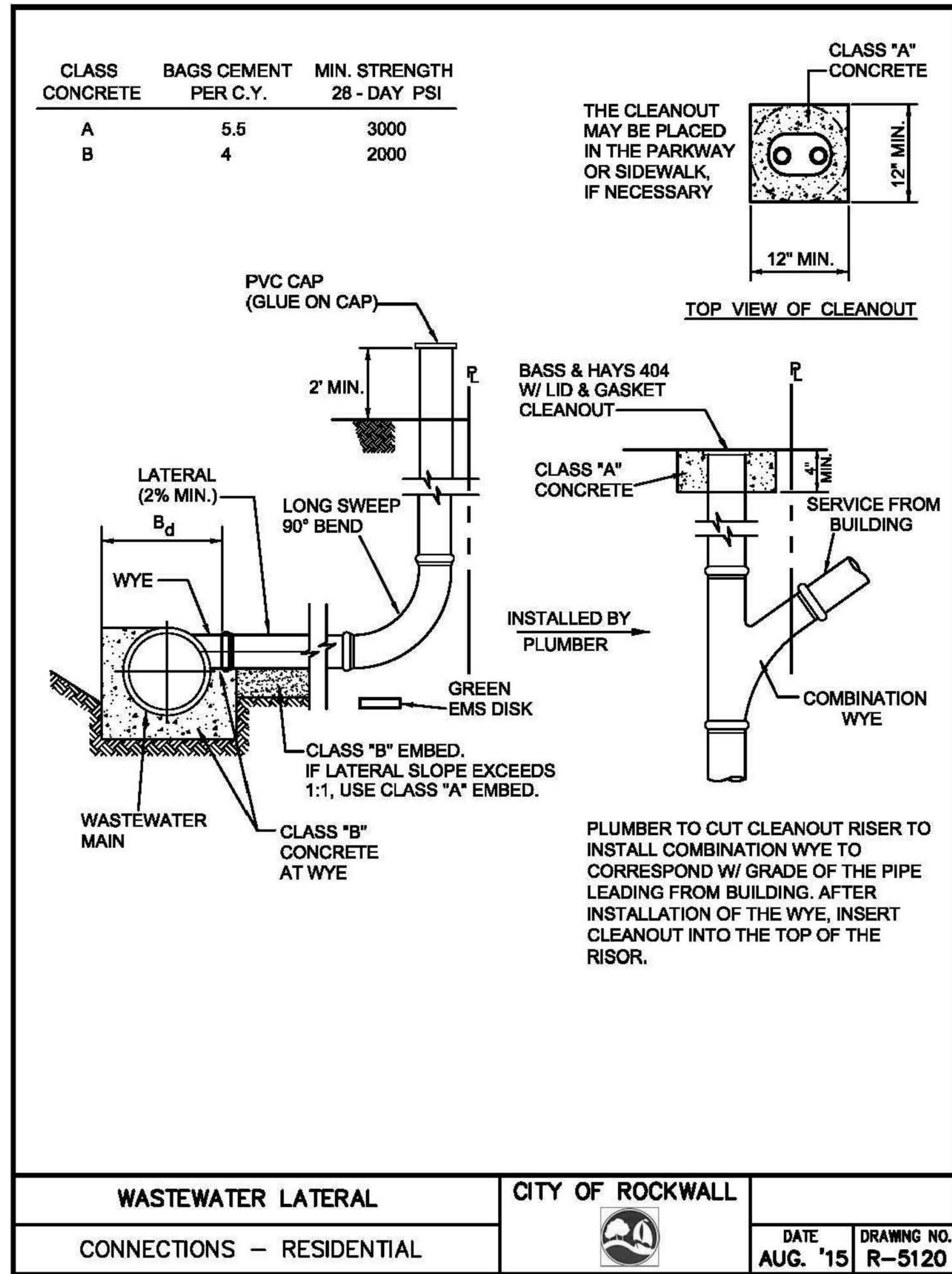


Drawing: P:\PROJECTS\RM\18219\CAD\Sheets\PHASE 1 - NORTH\26 WASTEWATER DETAILS 4 OF 4.dwg at Sep 27, 2019 - 10:36am by jeholle  
 Layout: 24 - WASTEWATER DETAILS 2 OF 4 - Alexis\_xref-borders.dwg



NOTES:  
 1. IF CLEANOUT IS PLACED IN ADVANCE OF PAVEMENT PLACE SAND AROUND CLEANOUT CASTING IN LIEU OF CLASS "B" CONCRETE.  
 2. IF CLEANOUT IS OUTSIDE OF PAVEMENT, CENTER CASTING IN 15'x15' CLASS "A" CONCRETE PAD 4" THICK.

STANDARD SPECIFICATION REFERENCE <b>502.2</b>	STANDARD DRAWING NO. <b>R-5110</b>
DATE <b>Mar. 2018</b>	STANDARD DRAWING NO. <b>R-5110</b>
CITY OF ROCKWALL	CITY OF ROCKWALL
WASTEWATER MAIN	CLEANOUT
STANDARD DRAWING NO. <b>R-5110</b>	



no.	revision	by	date

**teague nall and perkins, inc**  
 825 Watters Creek Blvd., Suite M300  
 Allen, Texas 75013  
 214.461.9867 ph 214.461.9864 fx  
 www.tnpsc.com  
 TBPE: F-230; TBPLS: 10011600, 10011601, 10194381

City of Rockwall  
*The New Horizon*

scale  
 when bar is  
 1 inch long  
 horiz  
 N/A  
 vert  
 N/A  
 SEP 2019

**RECORD DOCUMENTS**  
 THESE PLANS ARE FOR THE OWNER'S USE AS RECORD SET OF THE CONSTRUCTED PROJECT, AND REFLECT REVISIONS AND CONSTRUCTION RELATED CHANGES AS RECORDED BY THE CONTRACTOR. CHANGES MADE FROM THE ORIGINAL CONSTRUCTION DOCUMENTS DO NOT DEPICT ENGINEERING AND ARE NOT THE RESPONSIBILITY OF TEAGUE NALL & PERKINS, INC. OR THE ENGINEER OF RECORD ON THE ORIGINAL DOCUMENTS. ORIGINAL PLANS RELEASED FOR CONSTRUCTION WERE SEALED BY GYANENDRA POKHREL, P.E. NO. 118159 ON 09/28/2018.

CITY OF ROCKWALL, TEXAS  
**HIGHLAND DRIVE RECONSTRUCTION, PHASE I**  
 (DRIFTWOOD STREET TO BEDFORD FALLS LANE)  
**WASTEWATER DETAILS 2 OF 4**

tnp project  
**RWL18219**  
 sheet  
**25**