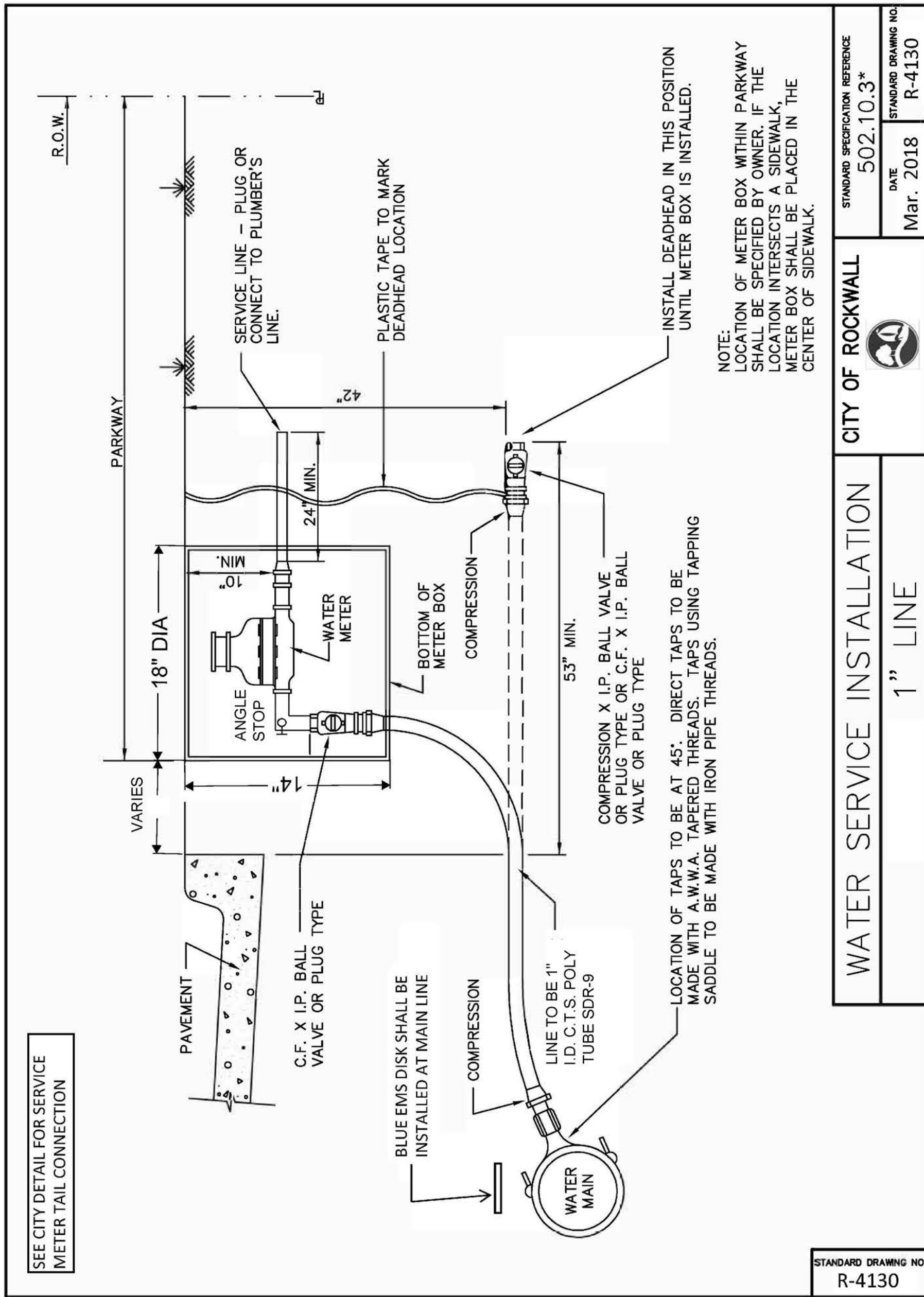
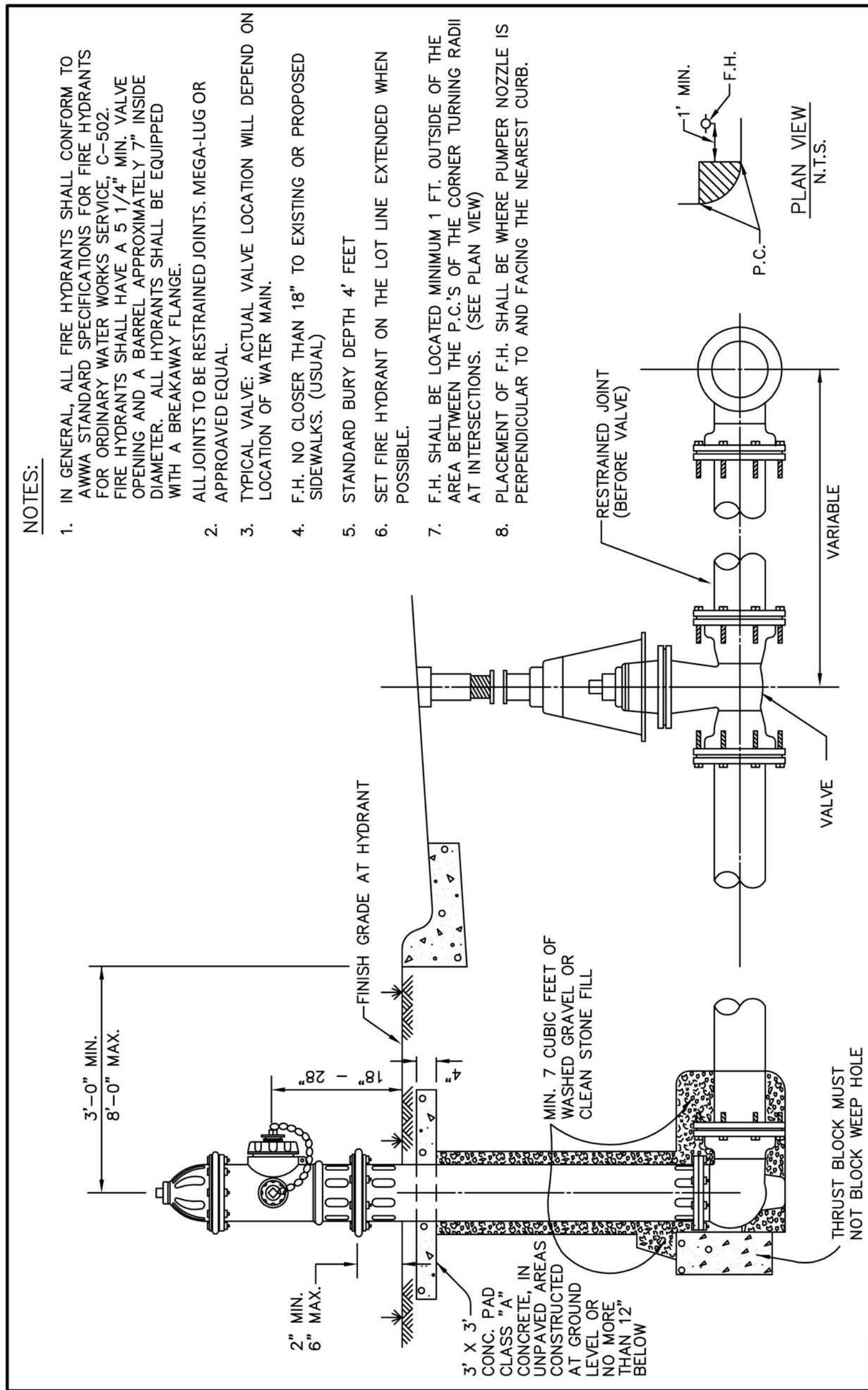
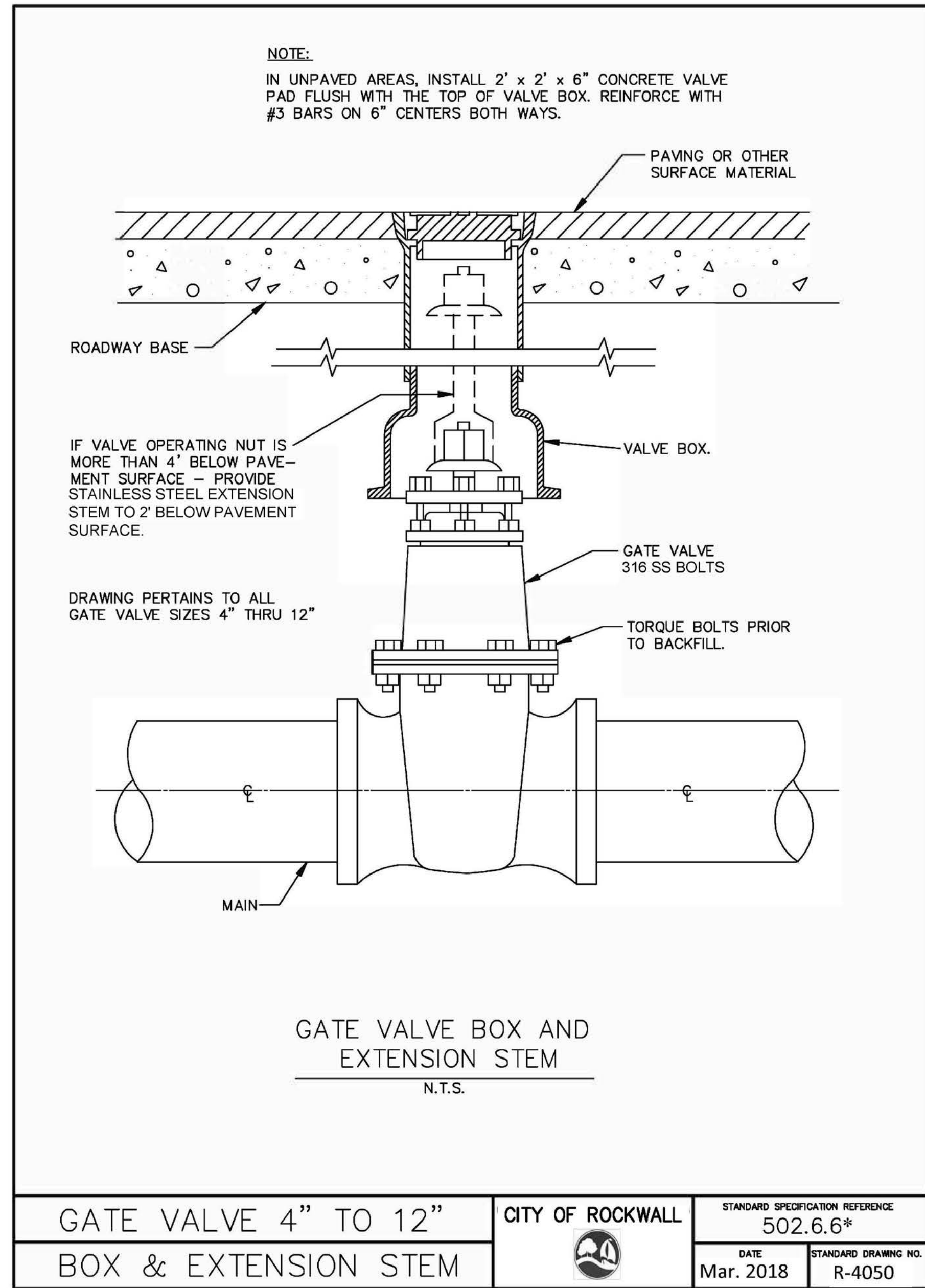


Drawing: P:\PROJECTS\RM18219\CAD\Sheets\PHASE 1 - NORTH\18 WATER DETAILS 5 OF 5.dwg at Sep 27, 2019-10:35am by jbedalle
 Layout: 15 - WATER DETAILS 2 OF 5 - PLOTS: xref-borders.dwg



no.	revision	by	date

teague nall and perkins, inc
 825 Watters Creek Blvd., Suite M300
 Allen, Texas 75013
 214.461.9867 ph 214.461.9864 fx
 www.tnpsc.com
 TBPE: F-230; TBPLS: 10011600, 10011601, 10194381

scale
 when bar is
 1 inch long
 horiz
 N/A
 vert
 N/A
 SEP 2019

RECORD DOCUMENTS
 THESE PLANS ARE FOR THE OWNER'S USE AS RECORD SET OF THE CONSTRUCTED PROJECT, AND REFLECT REVISIONS AND CONSTRUCTION RELATED CHANGES AS RECORDED BY THE CONTRACTOR. CHANGES MADE FROM THE ORIGINAL CONSTRUCTION DOCUMENTS DO NOT DEPICT ENGINEERING AND ARE NOT THE RESPONSIBILITY OF TEAGUE NALL & PERKINS, INC. OR THE ENGINEER OF RECORD ON THE ORIGINAL DOCUMENTS. ORIGINAL PLANS RELEASED FOR CONSTRUCTION WERE SEALED BY GYANENDRA POKHREL, P.E. NO. 118159 ON 09/28/2018.

CITY OF ROCKWALL, TEXAS
HIGHLAND DRIVE RECONSTRUCTION, PHASE I
 (DRIFTWOOD STREET TO BEDFORD FALLS LANE)
WATER DETAILS 4 OF 5

tnp project
 RWL18219
 sheet
20