

## THE HARBOR ROCKWALL, TEXAS

RESTRICTION

No.	DATE REVISIONS	DATE
1	AS BUILT	01/17/08
2	AS BUILT	11/17/08

### WATER FALL PLAN

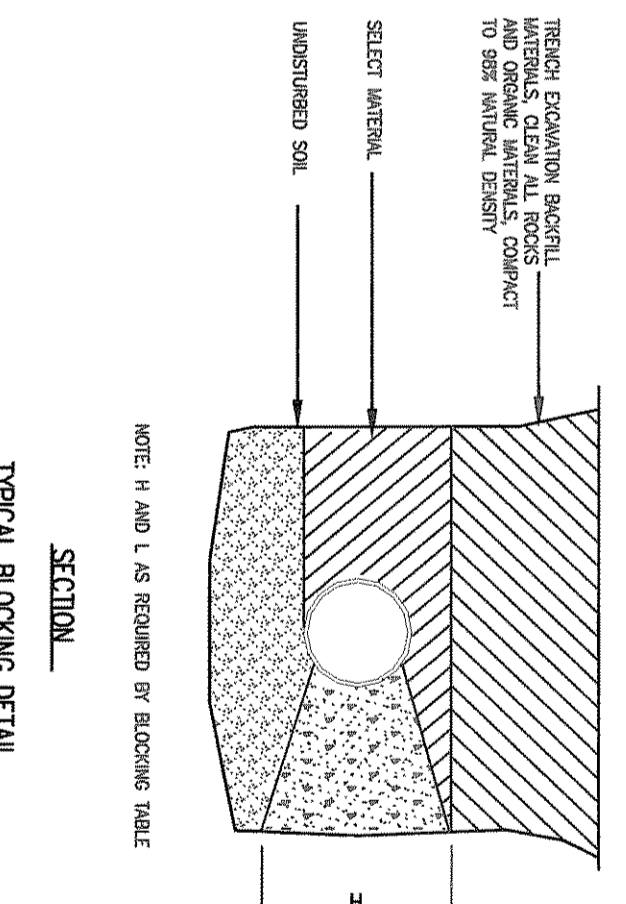
SHEET NUMBER  
 499 NO. 4939  
 DATE: JULY 12, 2005  
 DRAWN BY: GJR CHECKED BY: JLS  
 FILE: 4930\_THEHARBOR-ASBUILT-110708

LW.13

HORIZONTAL BLOCKING TABLE

NOTES: 1. SEE DRAWING FOR SPECIFICATIONS TO THIS TABLE. 2. ALL DIMENSIONS ARE IN FEET AND INCHES. 3. ALL DIMENSIONS ARE TO FACE UNLESS OTHERWISE NOTED. 4. ALL DIMENSIONS ARE TO FACE UNLESS OTHERWISE NOTED. 5. ALL DIMENSIONS ARE TO FACE UNLESS OTHERWISE NOTED. 6. ALL DIMENSIONS ARE TO FACE UNLESS OTHERWISE NOTED. 7. ALL DIMENSIONS ARE TO FACE UNLESS OTHERWISE NOTED. 8. ALL DIMENSIONS ARE TO FACE UNLESS OTHERWISE NOTED. 9. ALL DIMENSIONS ARE TO FACE UNLESS OTHERWISE NOTED. 10. ALL DIMENSIONS ARE TO FACE UNLESS OTHERWISE NOTED.

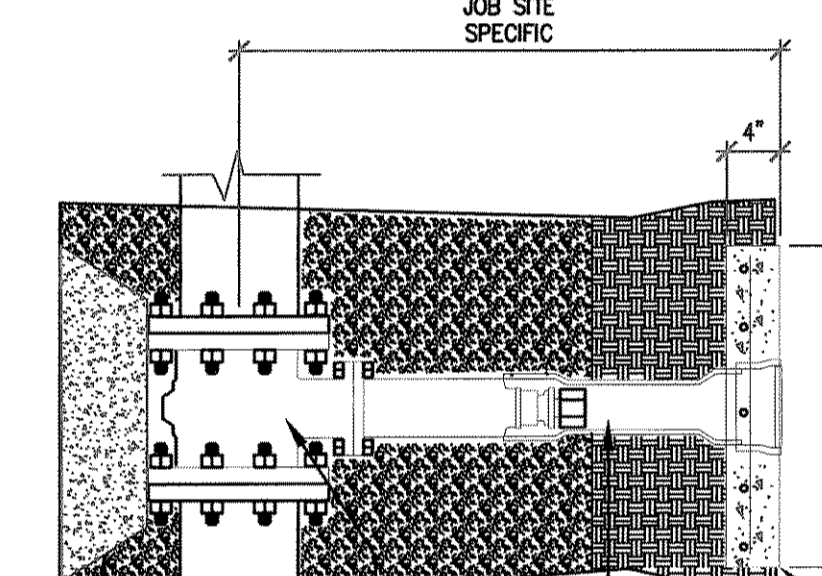
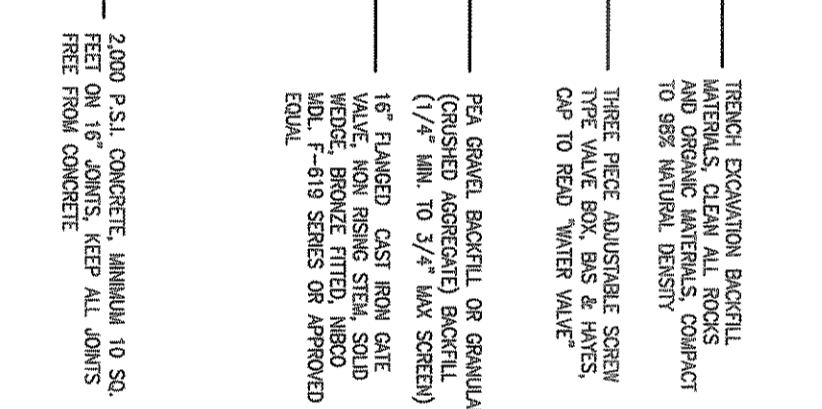
TABLE NO.	TABLE SIZE	TABLE WEIGHT	TABLE LENGTH	TABLE WIDTH	TABLE HEIGHT
1	4' x 4'	120	48"	48"	48"
2	4' x 6'	180	72"	48"	48"
3	4' x 8'	240	96"	48"	48"
4	6' x 6'	360	72"	72"	48"
5	6' x 8'	480	96"	72"	48"
6	6' x 10'	600	120"	72"	48"
7	8' x 8'	640	96"	96"	48"
8	8' x 10'	800	120"	96"	48"
9	8' x 12'	960	144"	96"	48"
10	10' x 10'	1000	120"	120"	48"
11	10' x 12'	1200	144"	120"	48"
12	10' x 14'	1400	168"	120"	48"
13	12' x 12'	1440	144"	144"	48"
14	12' x 14'	1680	168"	144"	48"
15	12' x 16'	1920	192"	144"	48"



TYPICAL BLOCKING DETAIL

SELECT MATERIALS

HORIZONTAL TABLE

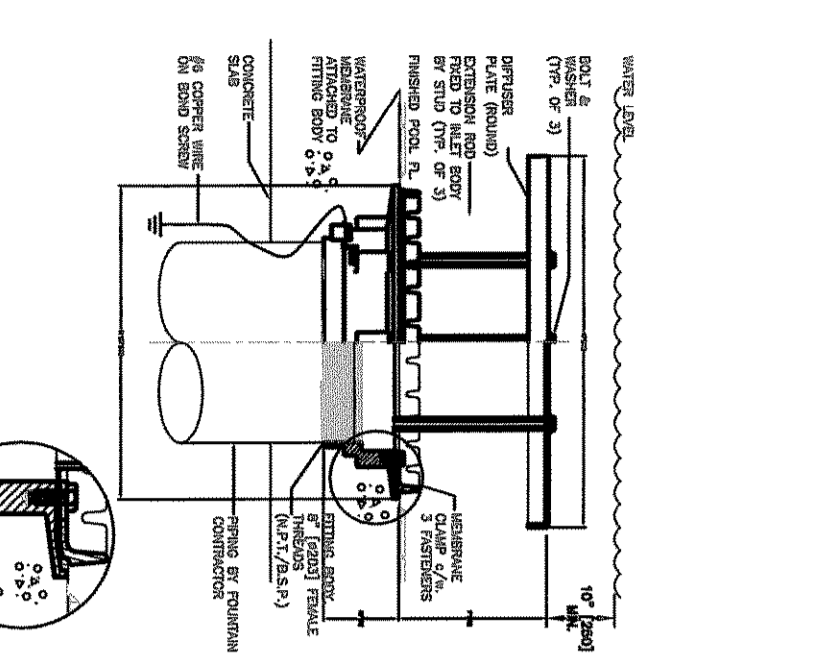


### B THRUST BLOCK TABLE

SCALE: NONE

### C WATER FALL THROTTLING VALVE

SCALE: NONE



### D IFA-800L WATERFALL INLET FITTING

SCALE: NONE



### C WATER FALL THROTTLING VALVE

SCALE: NONE

### D IFA-800L WATERFALL INLET FITTING

SCALE: NONE

