

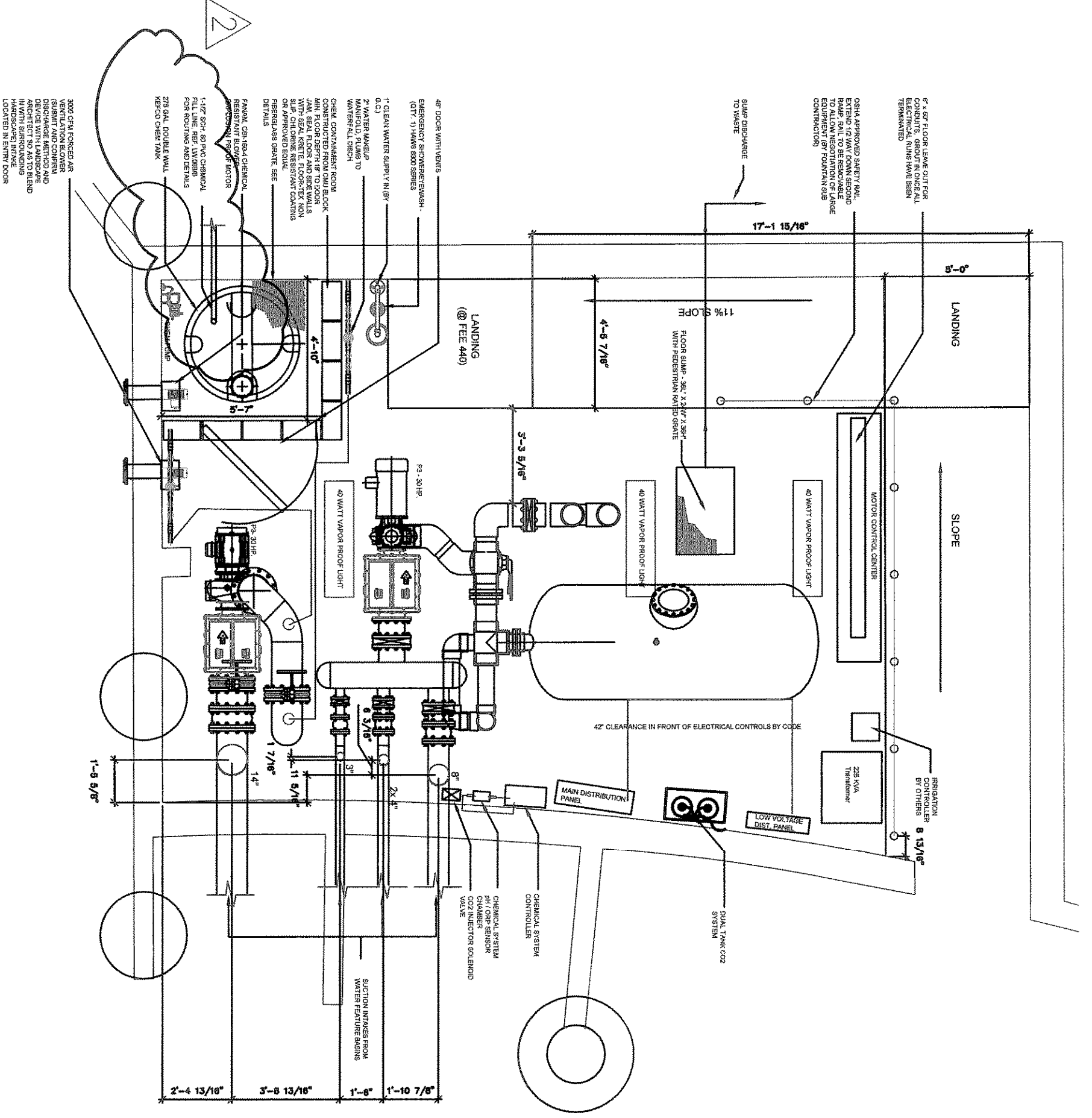
**THE HARBOR
 ROCKWALL, TEXAS**

IDENTIFICATION

NO.	REVISIONS	DATE
1	POST-BID ADDENDUM	01/17
2	POST-BID ADDENDUM	03/16
3	ORIGINAL TANK FILE LINE AS BUILT	11/10

**LAKE SIDE
 EQUIPMENT VAULT
 PLAN**

JOB NO. 4930
 DATE: JULY 12, 2005
 DRAWN BY: GJR CHECKED BY: JUS
 FILE: 4930 THEHARBOR ASBUIL 11/0706
 SHEET NUMBER

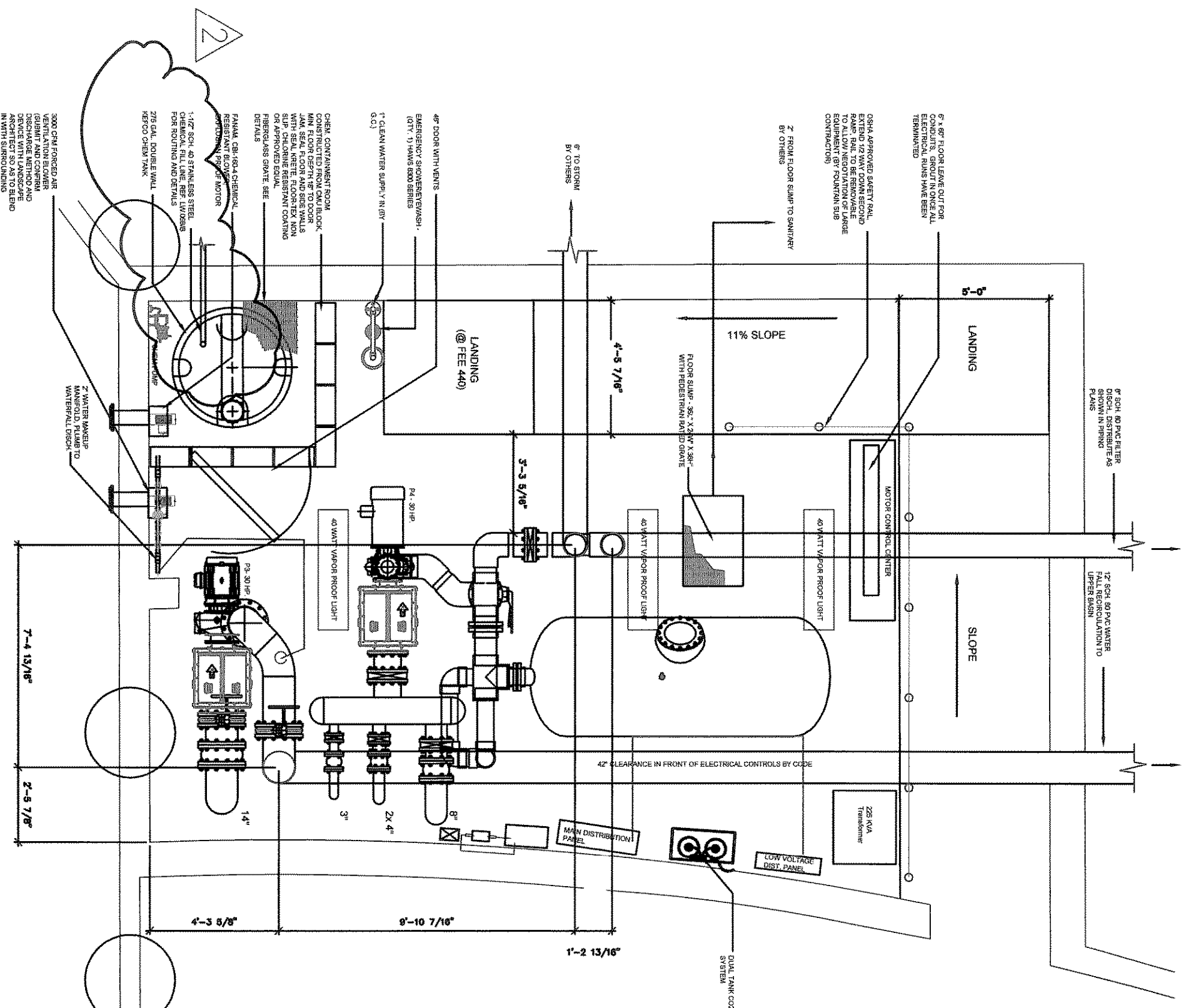
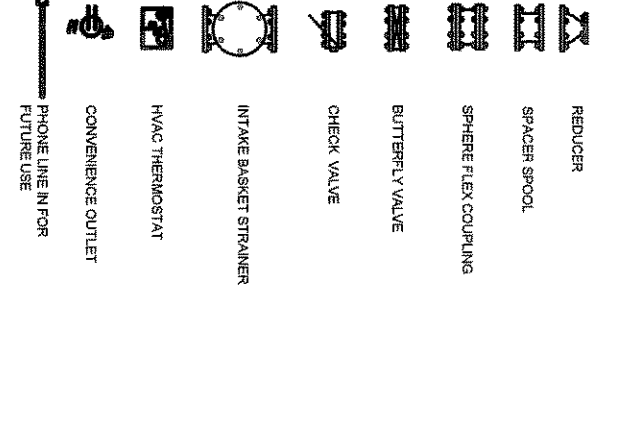


B SECTION
 LAKE SIDE VAULT SUCTION PIPE PLAN
 SCALE : 1/4" = 1'-0"

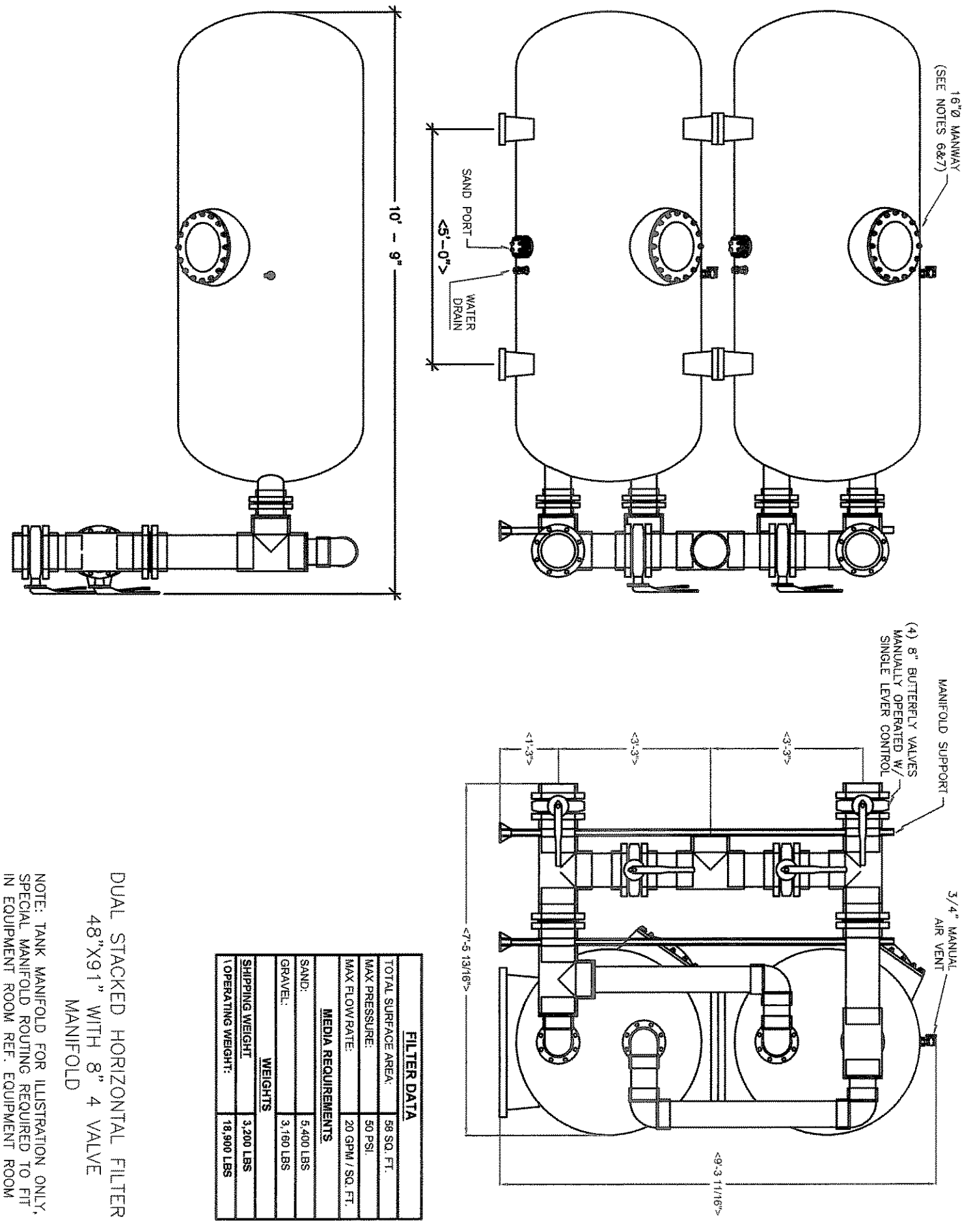
NOTES:

- 1) ALL PIPING IN VAULT TO BE SCH. 40 STEEL, WITH INDUSTRIAL LIGHT GRAY, INDUSTRIAL ENAMEL PRIMER AND EXTERIOR COATING WITH 1/16" SLAGS FLANGE CONNECTIONS.
- 2) EXCEPTION, ALL FILTER PLUMBING TO BE SCH. 80 PVC.
- 3) ALL PLUMBING BETWEEN VAULT AND FOUNDATION BASINS TO BE SCH. 80 PVC WITH STANDARD INDUSTRY PRACTICES.
- 4) WATER FEATURE SIB CONTRACTOR TO PROVIDE A MINIMUM OF TWO OR STERS WITH SAFETY UP POST.
- 5) EQUIPMENT VAULT TO INCLUDE AN OSHA APPROVED ACCESS LADDER.
- 6) EQUIPMENT VAULT TO INCLUDE AN OSHA APPROVED ACCESS LADDER.
- 7) WATER FEATURE SIB CONTRACTOR IS RESPONSIBLE FOR ELECTRICAL OF EQUIPMENT VAULT'S SHOWING PENETRATIONS CENTERLINES.
- 8) WATER FEATURE SIB CONTRACTOR TO PROVIDE A MINIMUM OF 1/2" BALL VALVE ON ALL PIPING, FILTERS, AND STRAINERS FOR DRAINING - REF.
- 9) WATER FEATURE SIB CONTRACTOR TO PROVIDE DUAL TANK CO2 REGULATOR, REGAL DUAL CO2 TANKS TO BE COLOCATED BY RECREONICS, INC. 800-428-3284 BY THE CONTRACTOR'S ACCESS AND SHOWINGS.

COMPONENT LEGEND

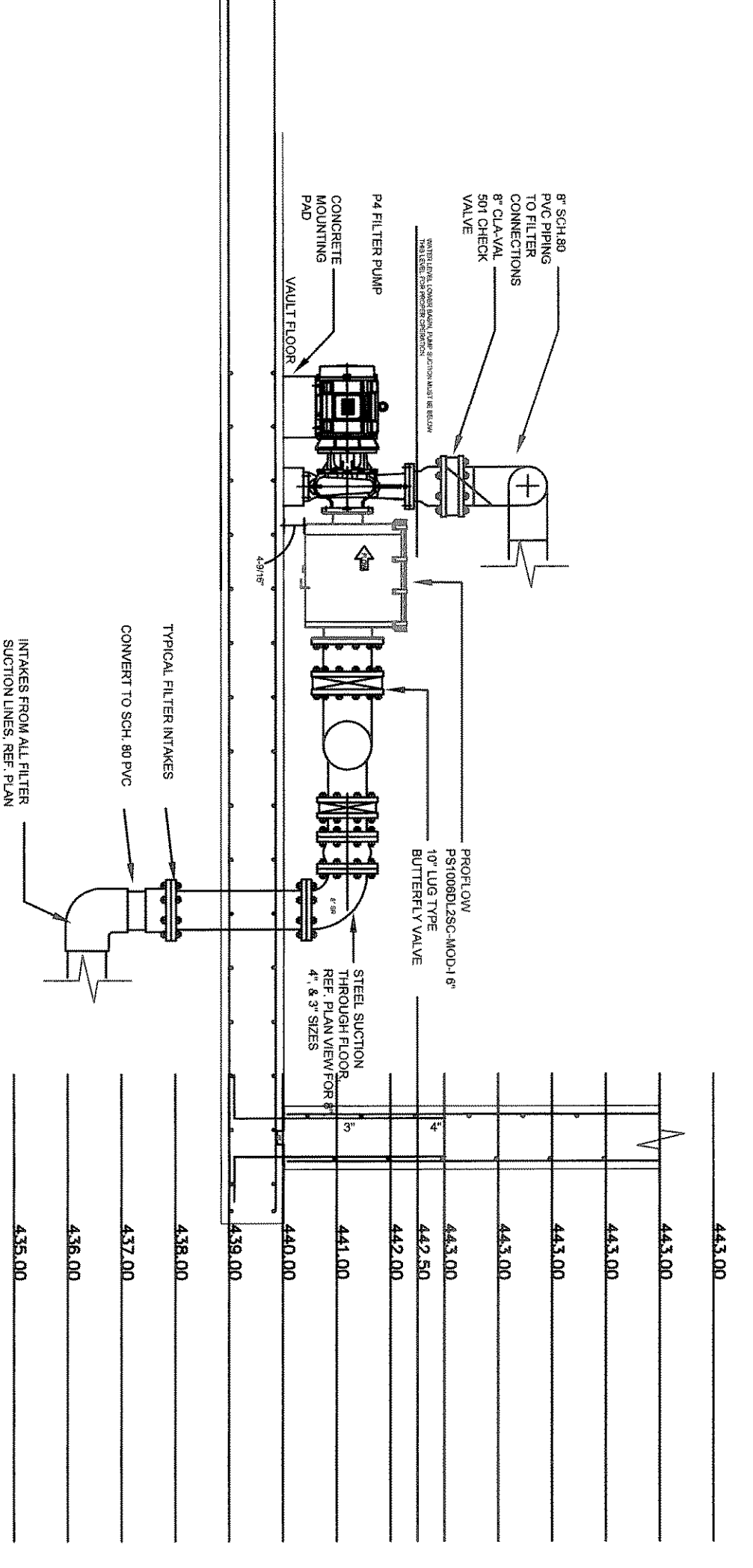


A SECTION
 LAKE SIDE VAULT DISCHARGE PIPING PLAN
 SCALE : 1/4" = 1'-0"

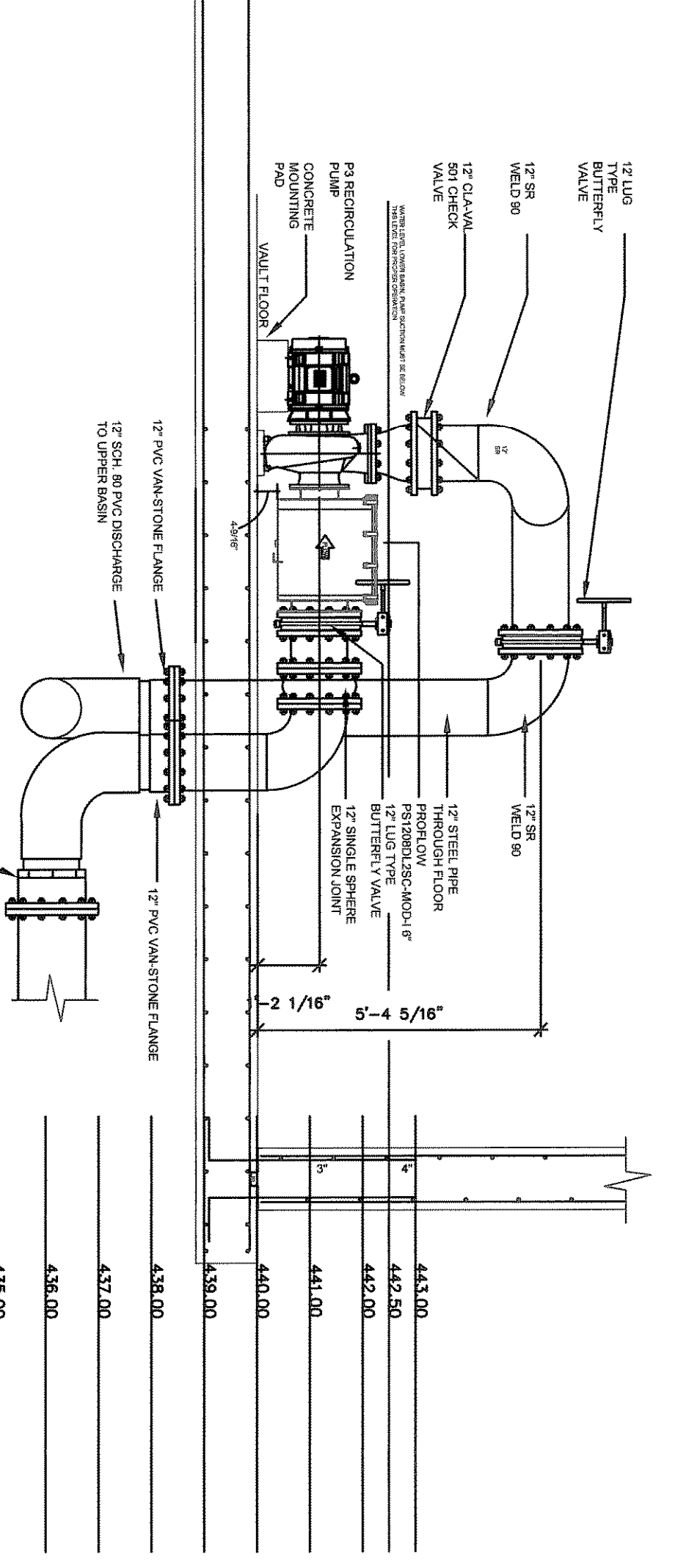


DUAL STACKED HORIZONTAL FILTER
 48"X91" WITH 8" 4 VALVE
 MANIFOLD
 SCALE : 3/8" = 1'-0"

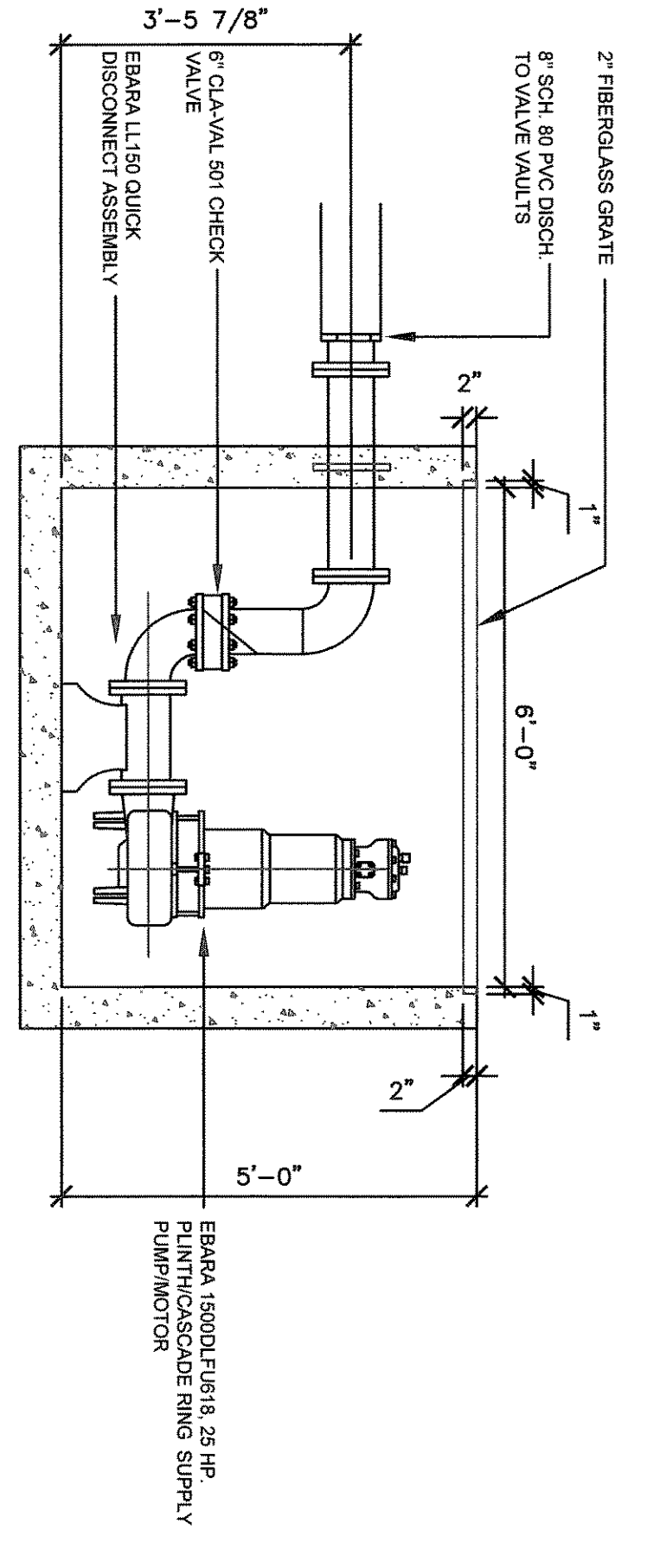
D SECTION
 LAKE SIDE FEATURE SAND FILTER DETAILS
 SCALE : 3/8" = 1'-0"



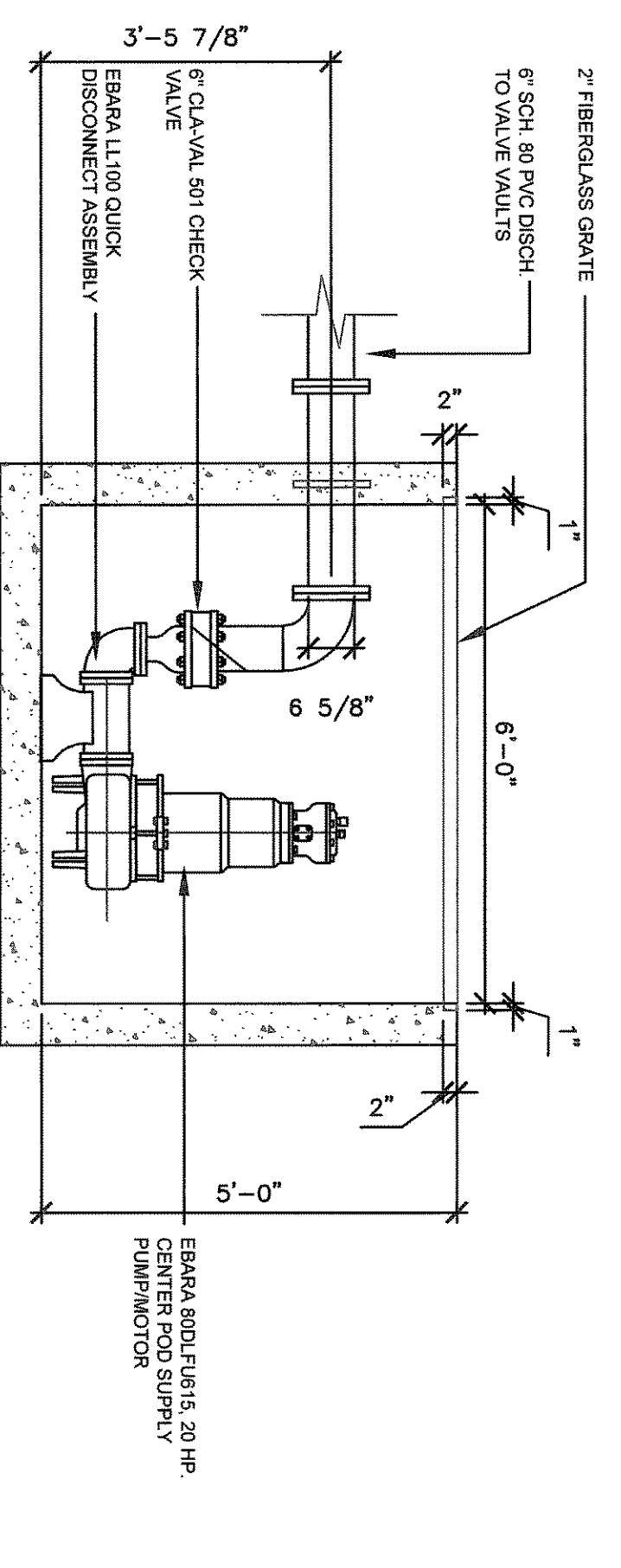
G SECTION
 LAKE SIDE FEATURE P4 - PUMP ELEVATIONS
 SCALE : 3/8" = 1'-0"



F SECTION
 LAKE SIDE FEATURE P3 - PUMP ELEVATIONS
 SCALE : 3/8" = 1'-0"



E SECTION
 LAKE SIDE FEATURE P2 - PUMP ELEVATIONS
 SCALE : 1/2" = 1'-0"



E SECTION
 LAKE SIDE FEATURE P1 - PUMP ELEVATIONS
 SCALE : 1/2" = 1'-0"

DELETED

C SECTION
 LAKE SIDE VAULT FILTER VALVE DETAIL
 SCALE : 1/2" = 1'-0"

DELETED

I SECTION
 LAKE SIDE FEATURE P6 - PUMP ELEVATIONS
 SCALE : 1/2" = 1'-0"