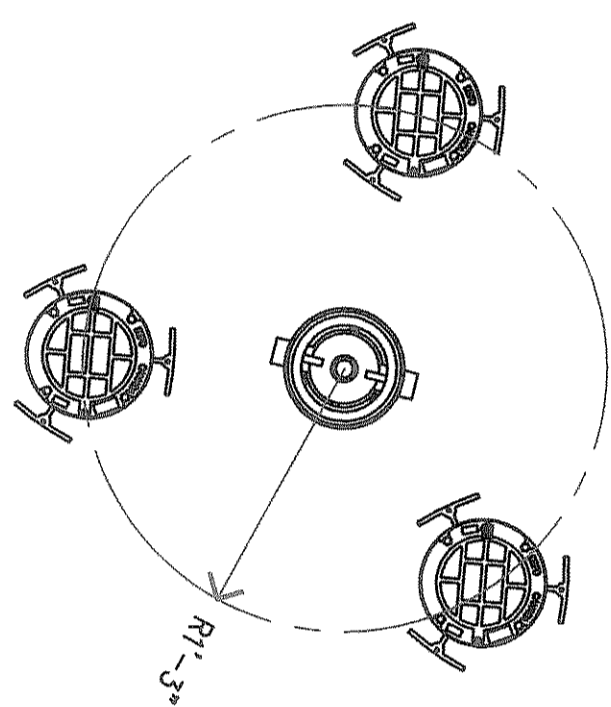
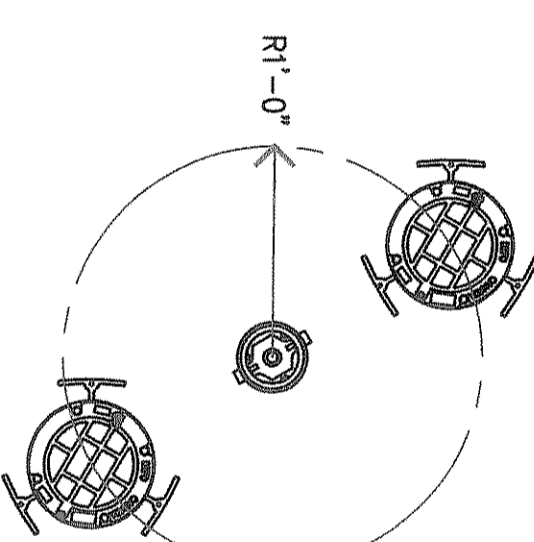


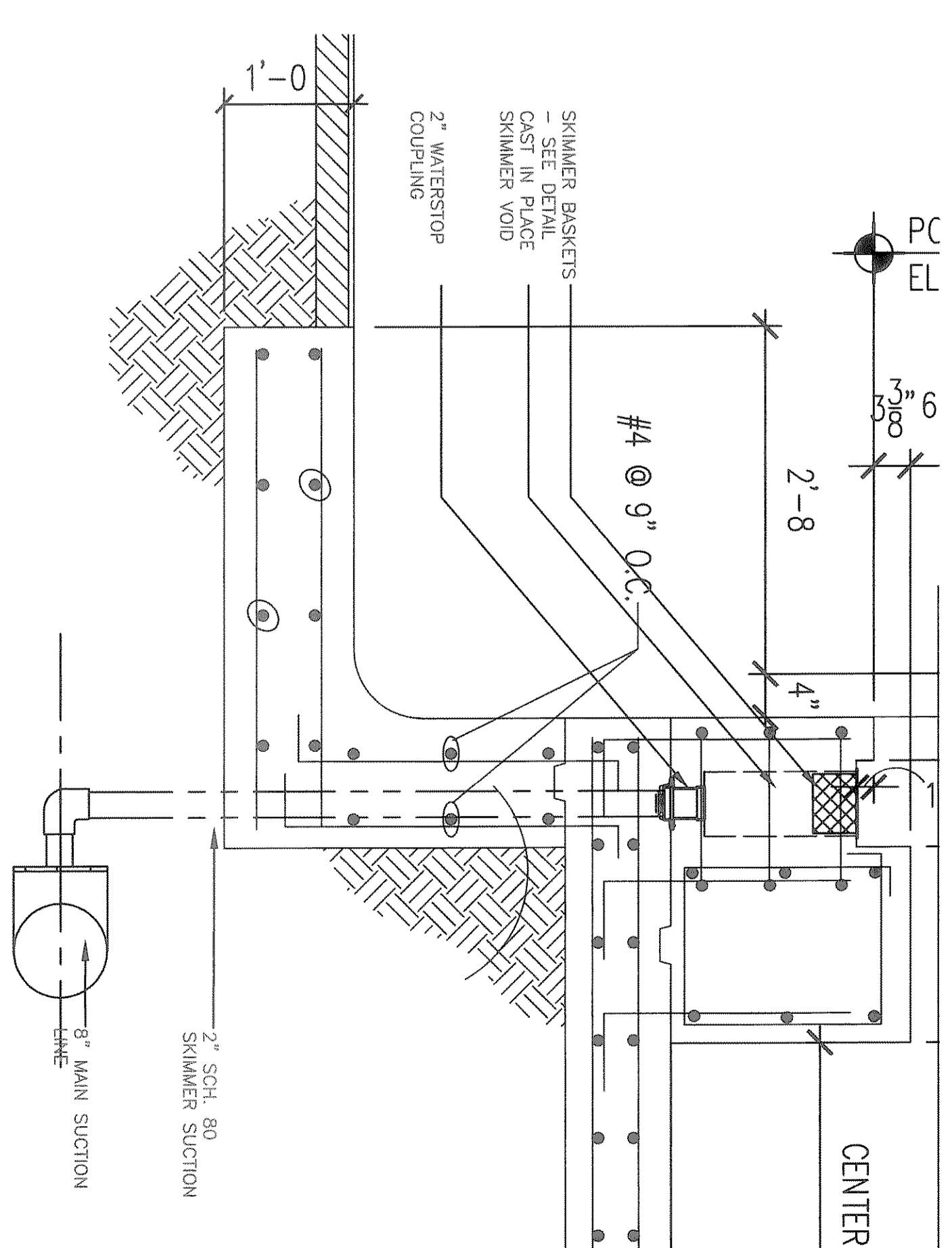
A DETAIL
CENTER NOZZLE POD LIGHT LAYOUT
 SCALE: N.T.S.



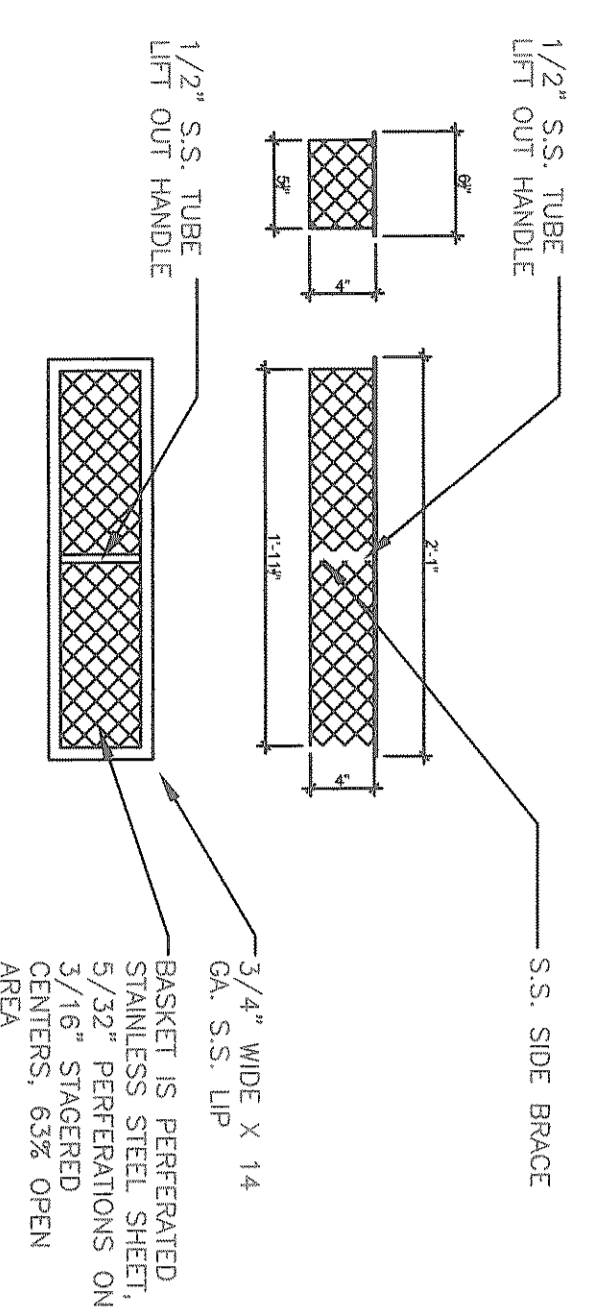
B DETAIL
NCA-300 NOZZLE LIGHT LAYOUT
 SCALE: N.T.S.



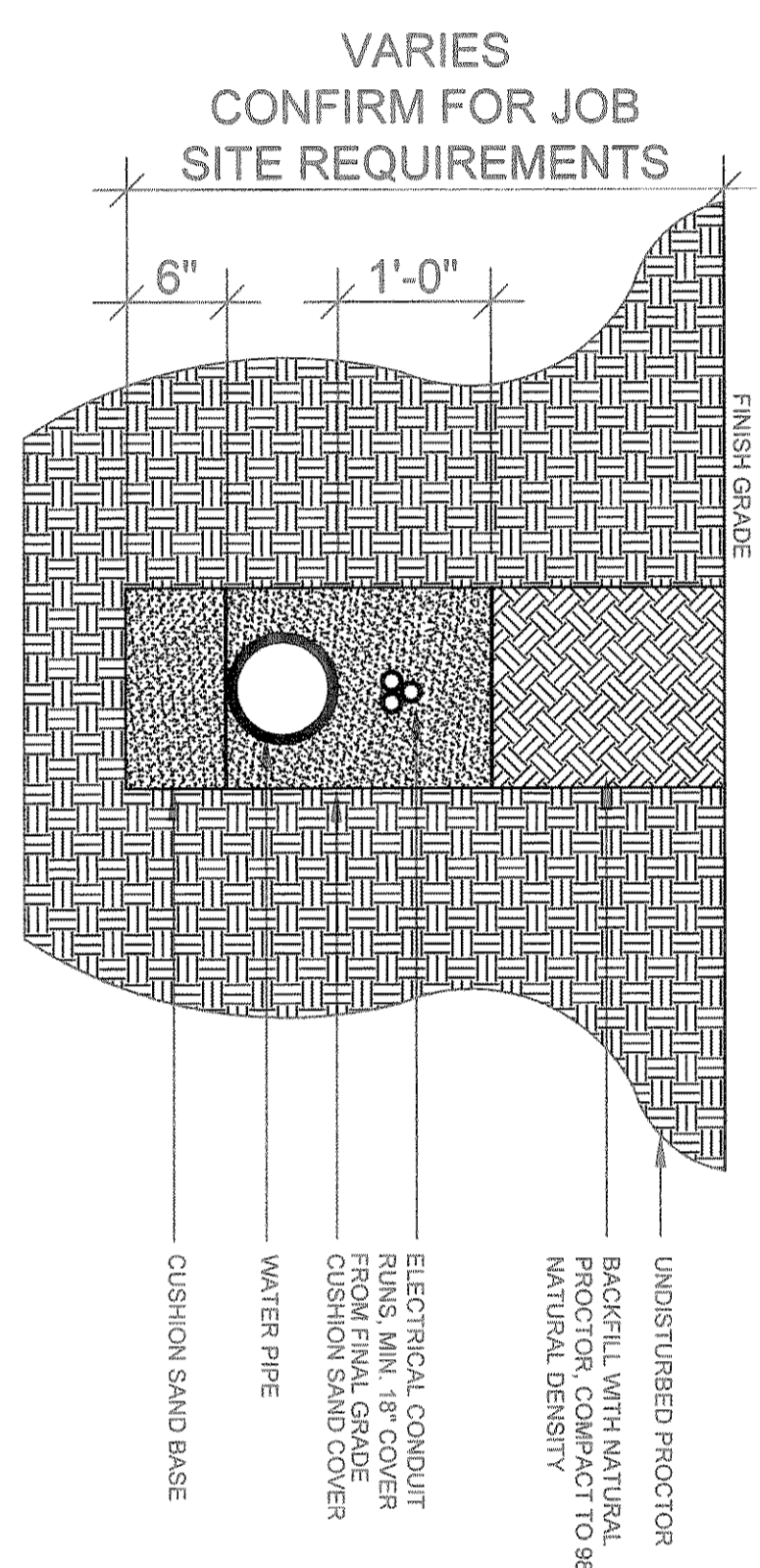
C DETAIL
NCA-150S NOZZLE LIGHT LAYOUT
 SCALE: N.T.S.



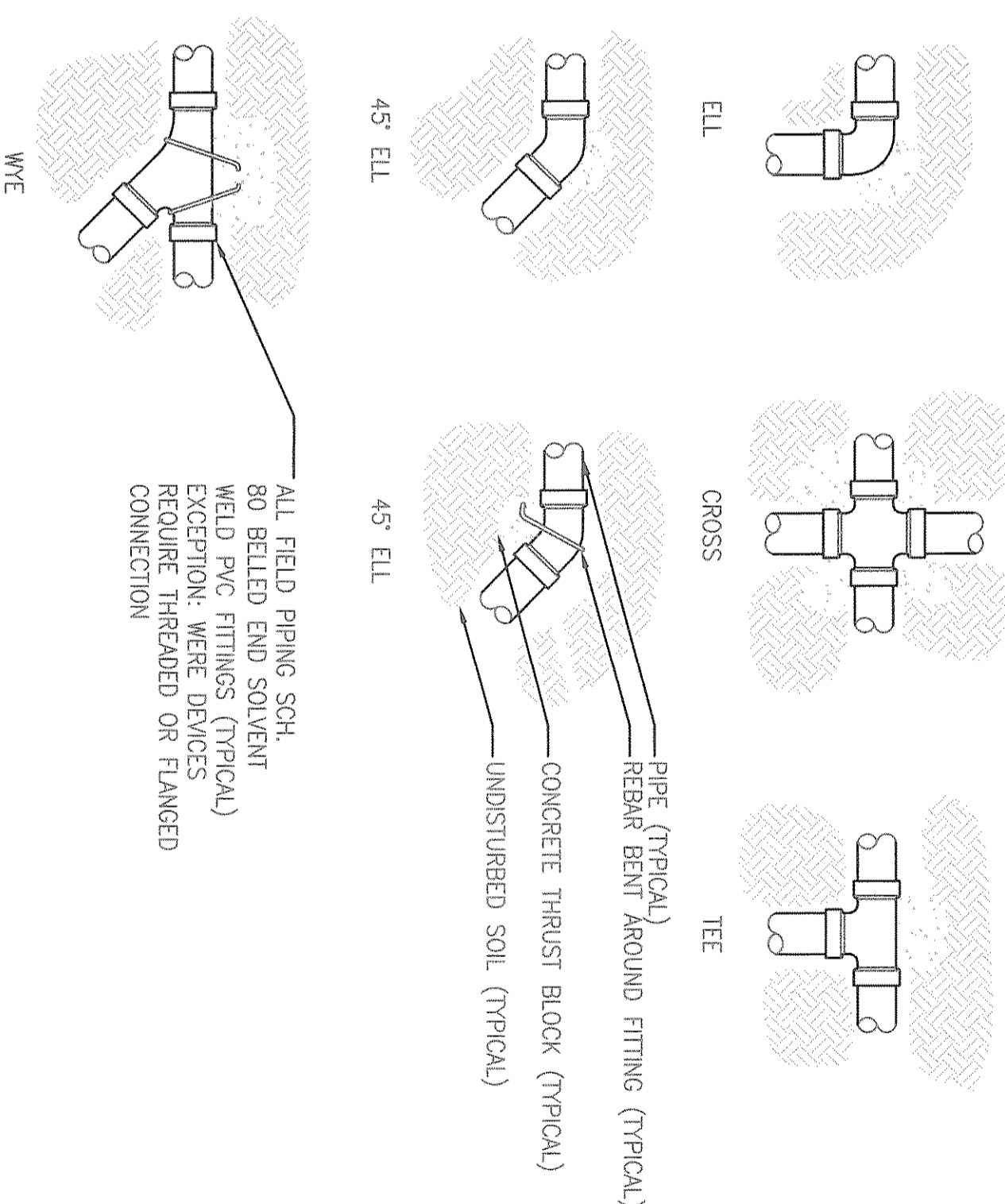
D DETAIL
SKIMMER SECTION
 SCALE: 1\"/>



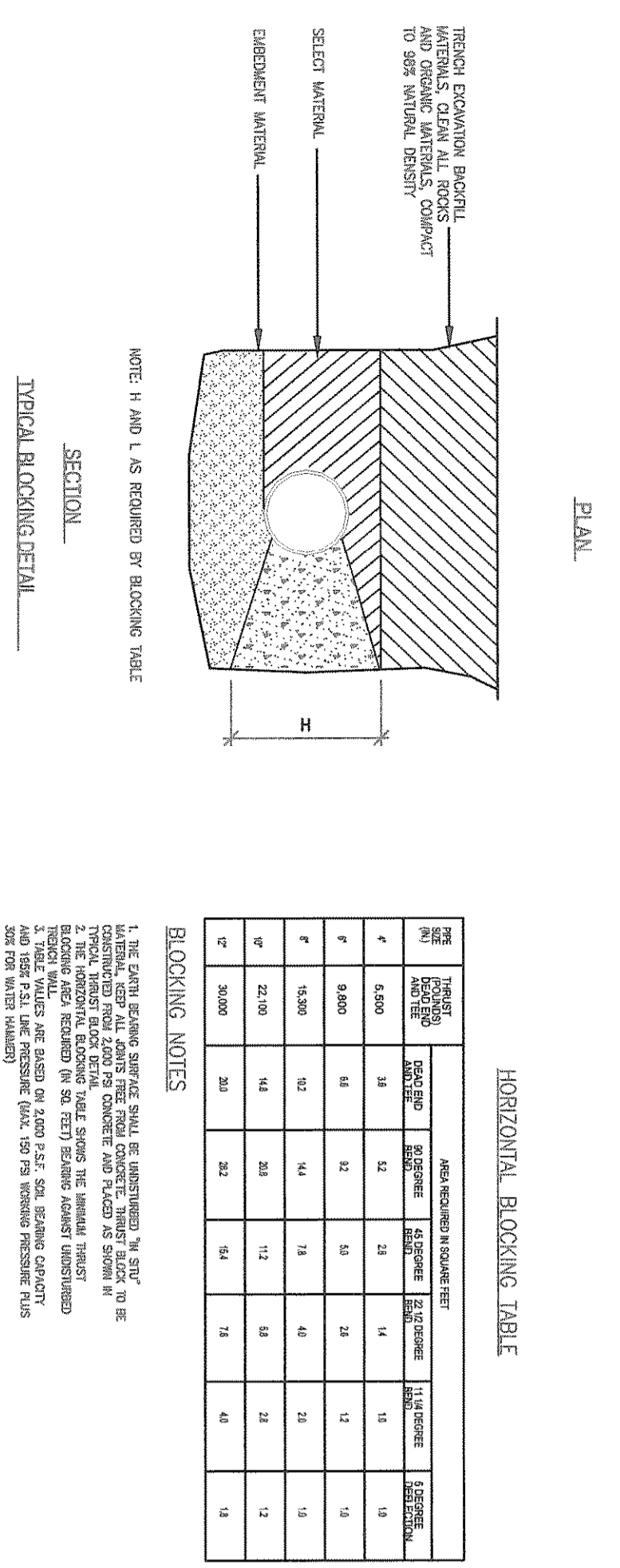
E DETAIL
CUSTOM SKIMMER BASKET
 SCALE: 1\"/>



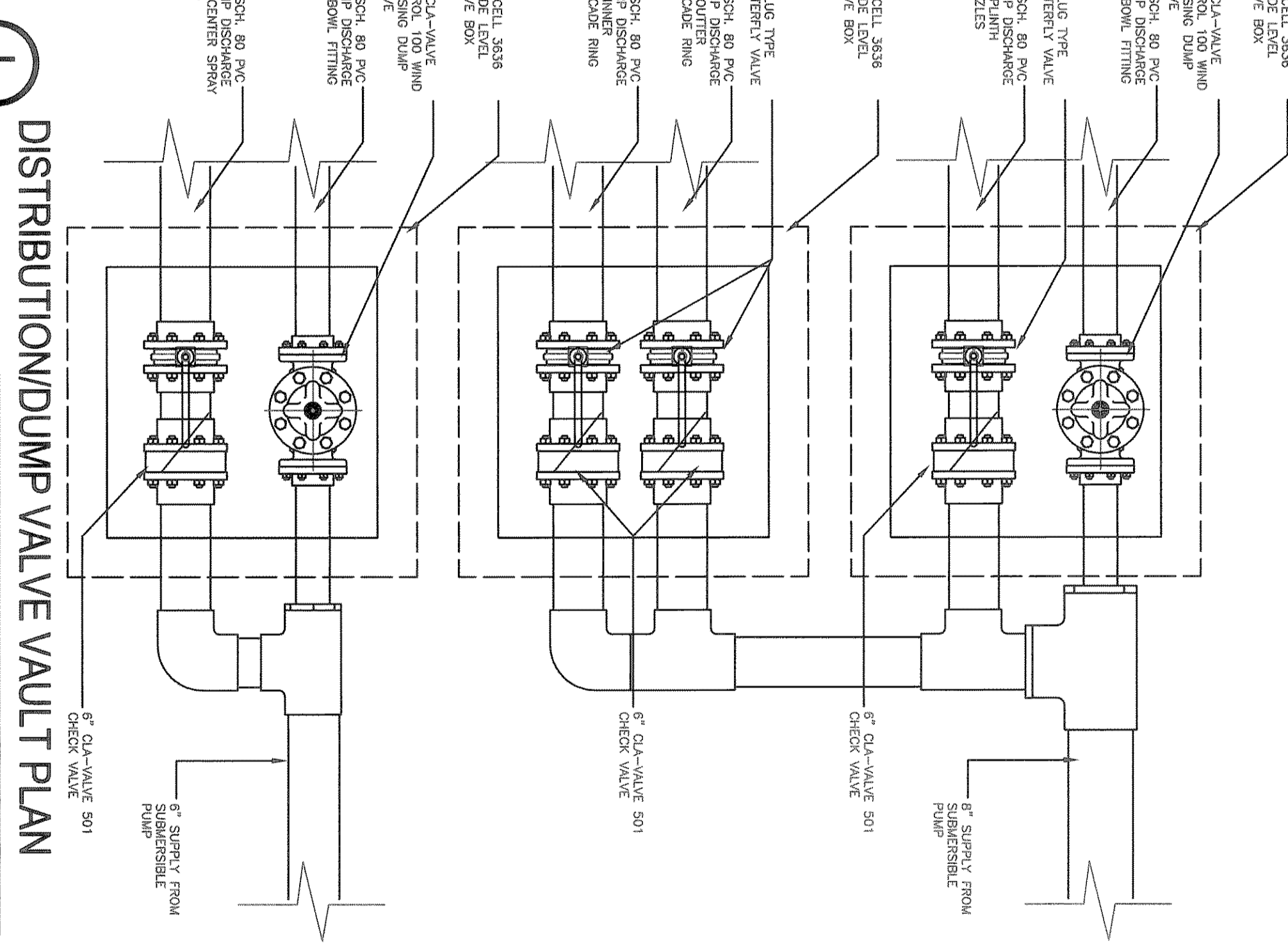
F DETAIL
TYPICAL PIPE AND CONDUIT INSTALLATION
 SCALE: N.T.S.



G DETAIL
PVC PIPE THRUST BLOCKING
 SCALE: N.T.S.



H DETAIL
THRUST BLOCK TABLE
 SCALE: NONE



I DETAIL
DISTRIBUTION/DUMP VALVE VAULT PLAN
 SCALE: N.T.S.

T B G
PARTNERS
 Landscape Architects • Planners
 302 North Market, Suite 450
 Dallas, Texas 75208
 214/744-0757 Fax: 214/744-0785
 Austin • Dallas • Houston • McAllen

Greenwave
 Pump Services, Inc.
 • DESIGN • CONSULTING • CONTRACTING •
 • SALES • SERVICE •
 Headquarters
 1425 Winlock, Suite 410
 Ft. Worth, Texas 76107
 Ph: 817-446-0007 Fax: 817-446-0131

THE HARBOR
ROCKWALL, TEXAS

RESTRICTIONS
 No. REVISIONS
 1. POSTED AMENDUM 01/17/08
 2. AS BUILT 11/09/08
 SHEET TITLE
LAKE SIDE COMPONENTS DETAIL
 SHEET NUMBER
LW.05D
 4830 NO. 4830
 DATE: 11/12/2005
 DRAWN BY: GDR
 CHECKED BY: GDR
 FILE: 4830 THE HARBOR ASBUILT 11/07/08