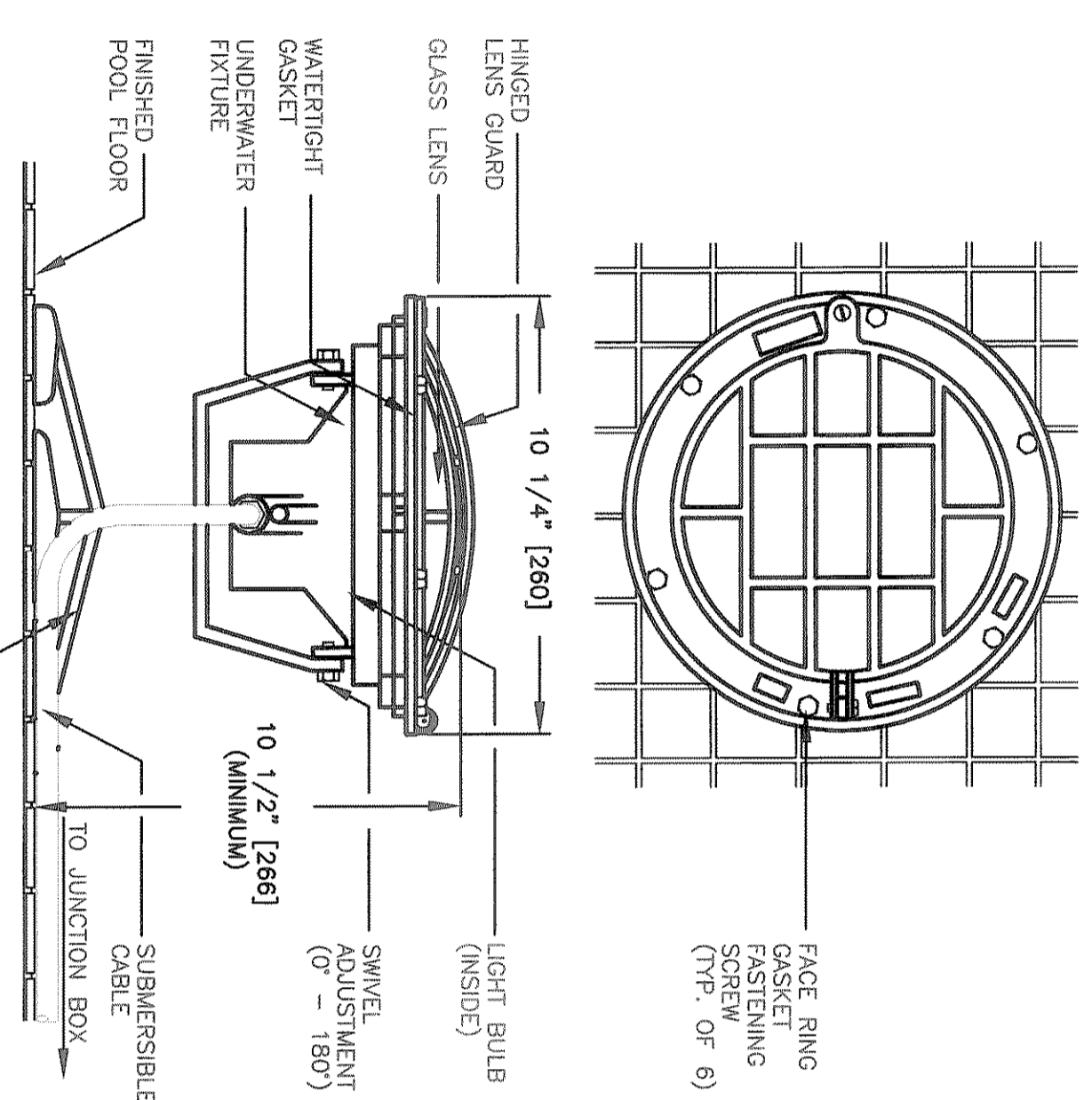
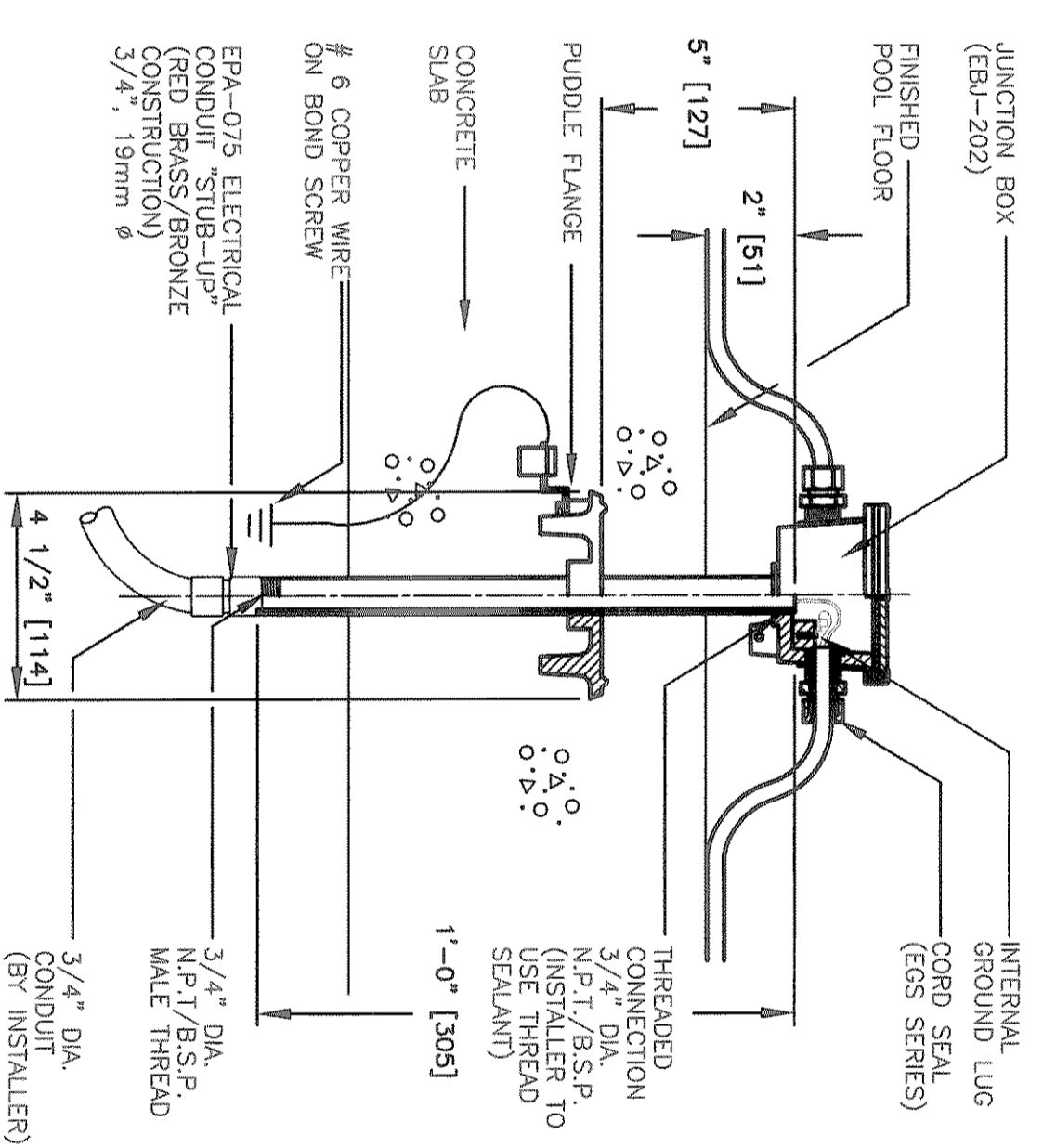


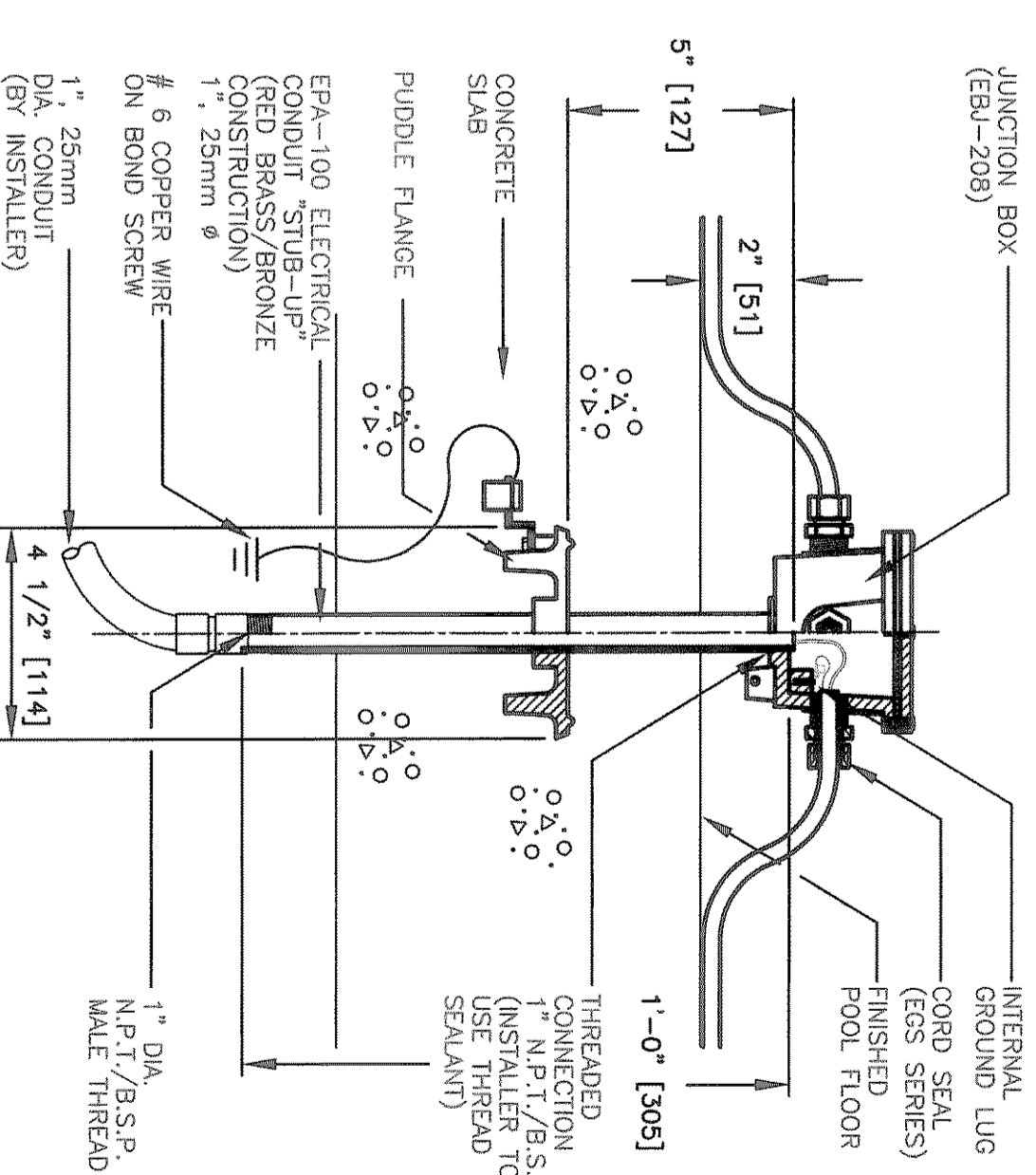
A DETAIL
ELC-020P 250 & 500 WATT LIGHT FIXTURE
 SCALE: N.T.S.



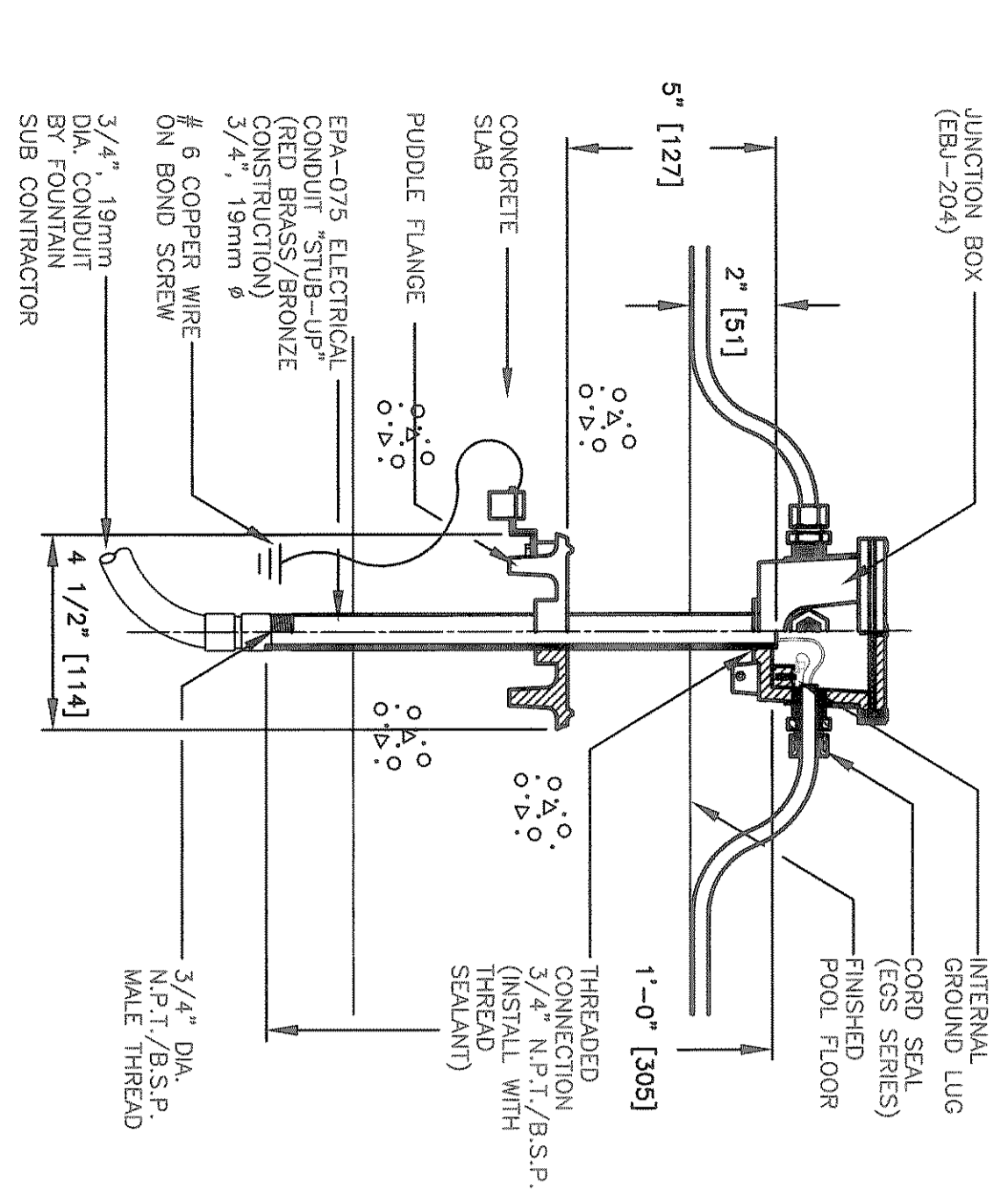
B DETAIL
ELC-050P 500 WATT LIGHT FIXTURE
 SCALE: N.T.S.



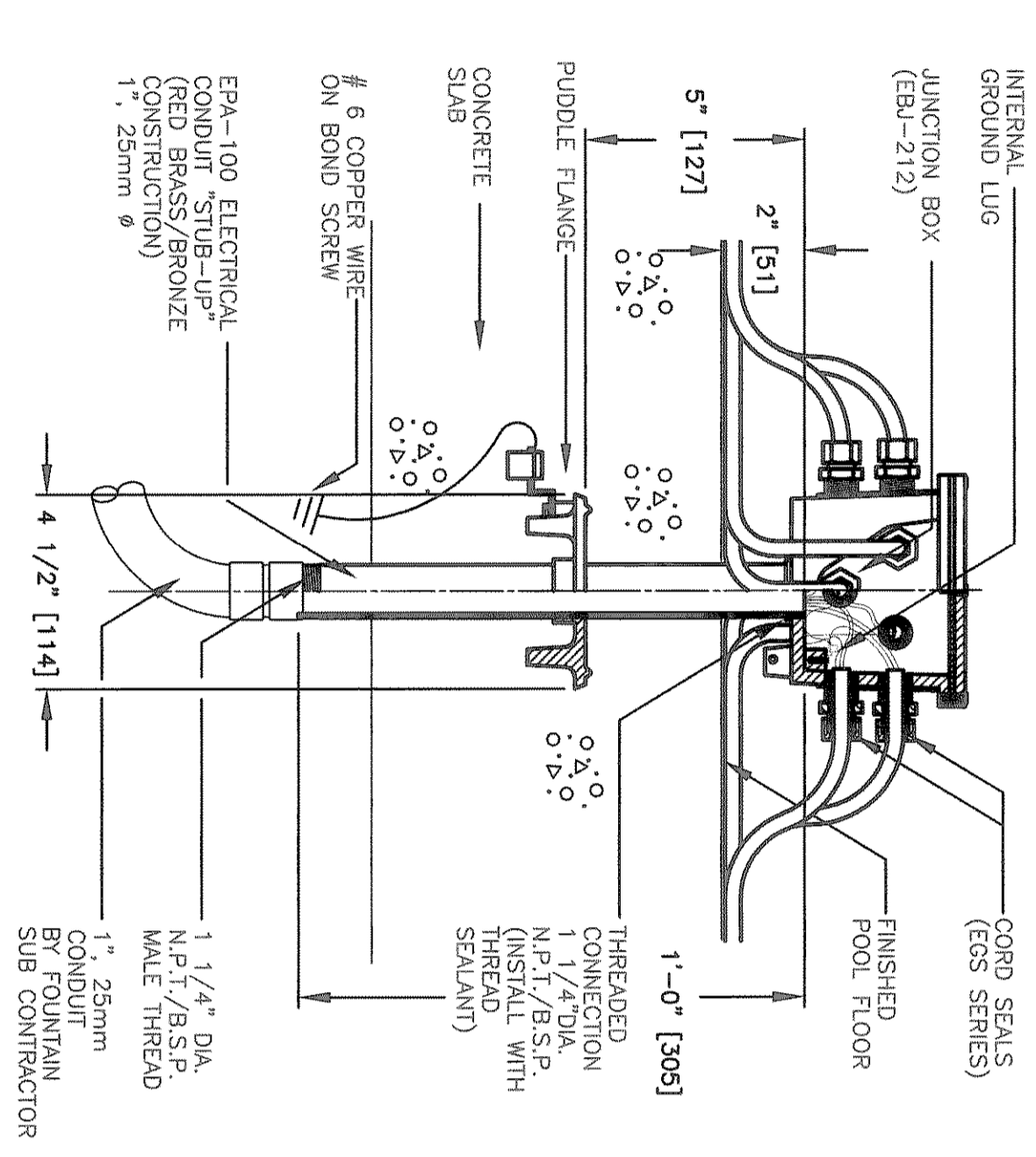
C DETAIL
EBJ-202 UNDERWATER JUNCTION BOX
 SCALE: N.T.S.



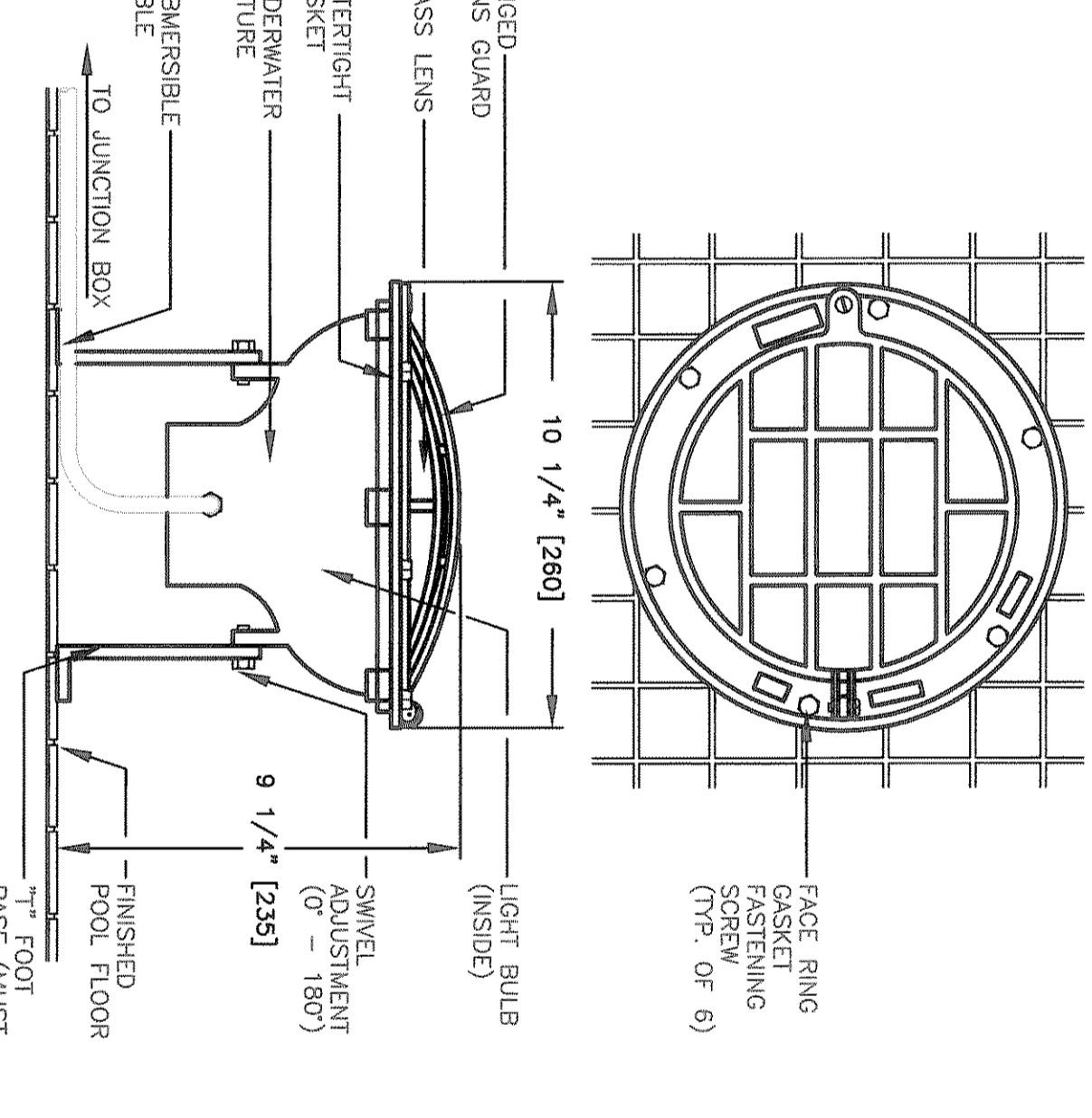
D DETAIL
EBJ-208 UNDERWATER JUNCTION BOX
 SCALE: N.T.S.



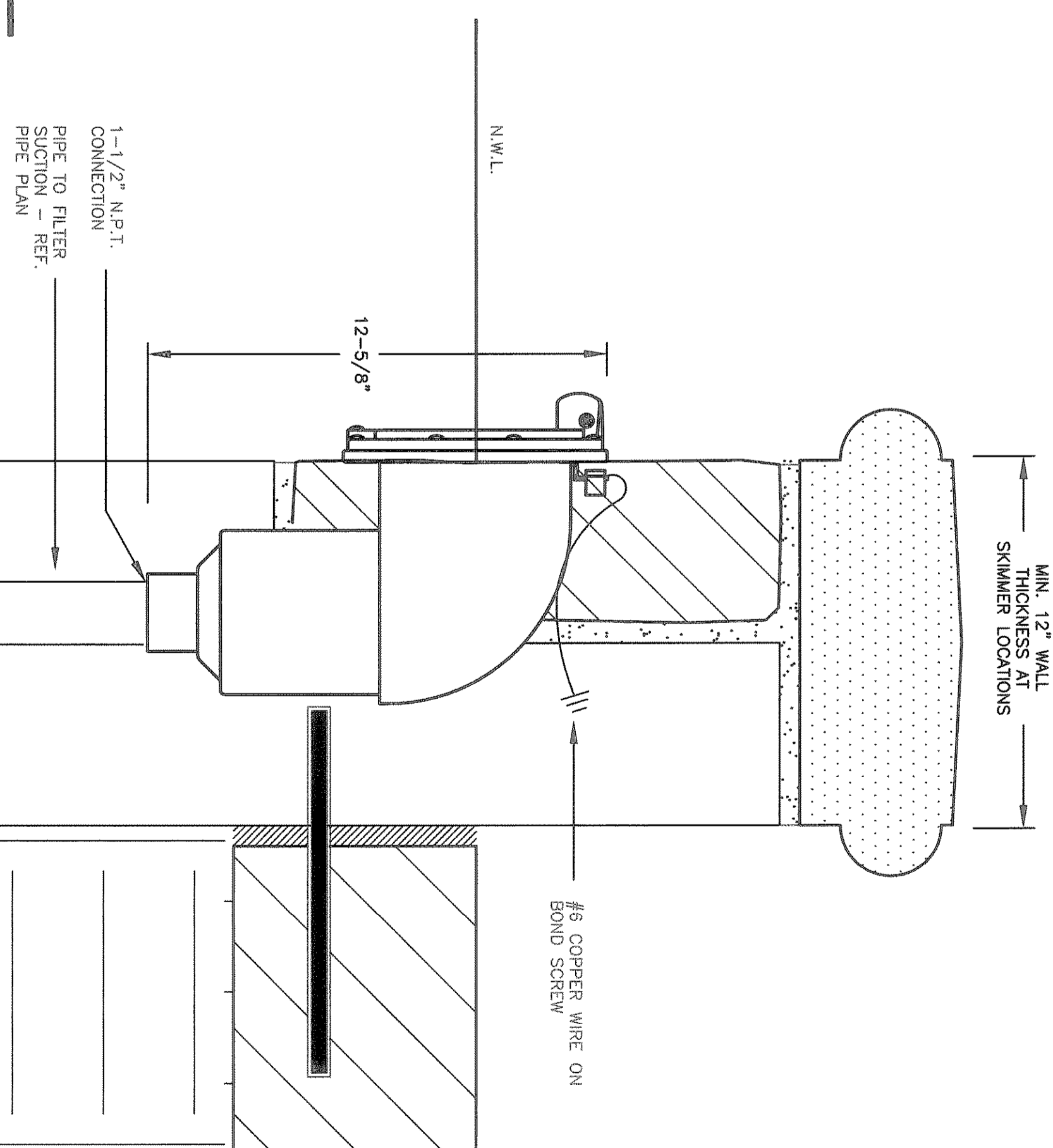
E DETAIL
EBJ-204 UNDERWATER JUNCTION BOX
 SCALE: N.T.S.



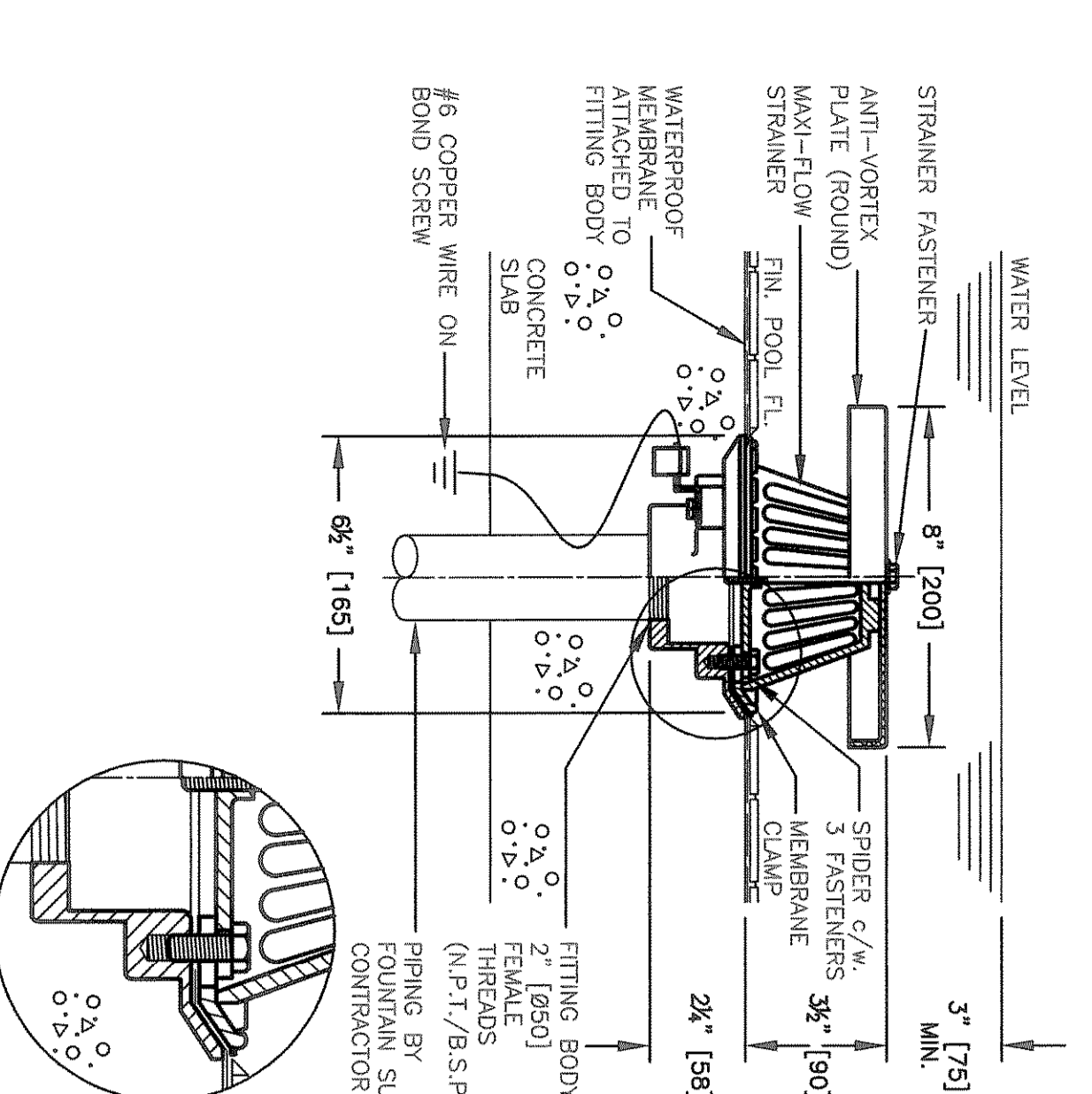
F DETAIL
EBJ-212 UNDERWATER JUNCTION BOX
 SCALE: N.T.S.



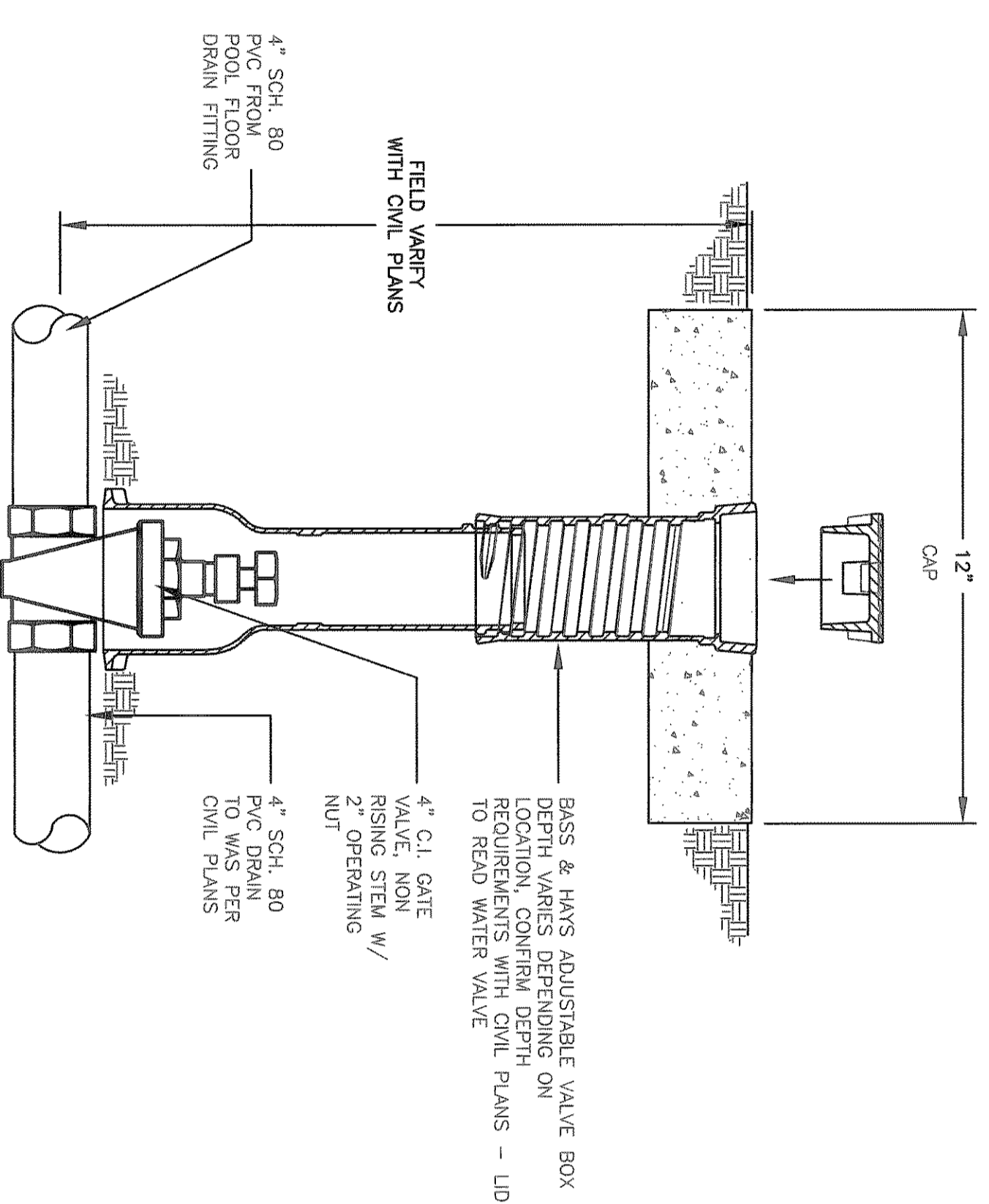
G DETAIL
ELC-100P 1000 WATT LIGHT FIXTURE
 SCALE: N.T.S.



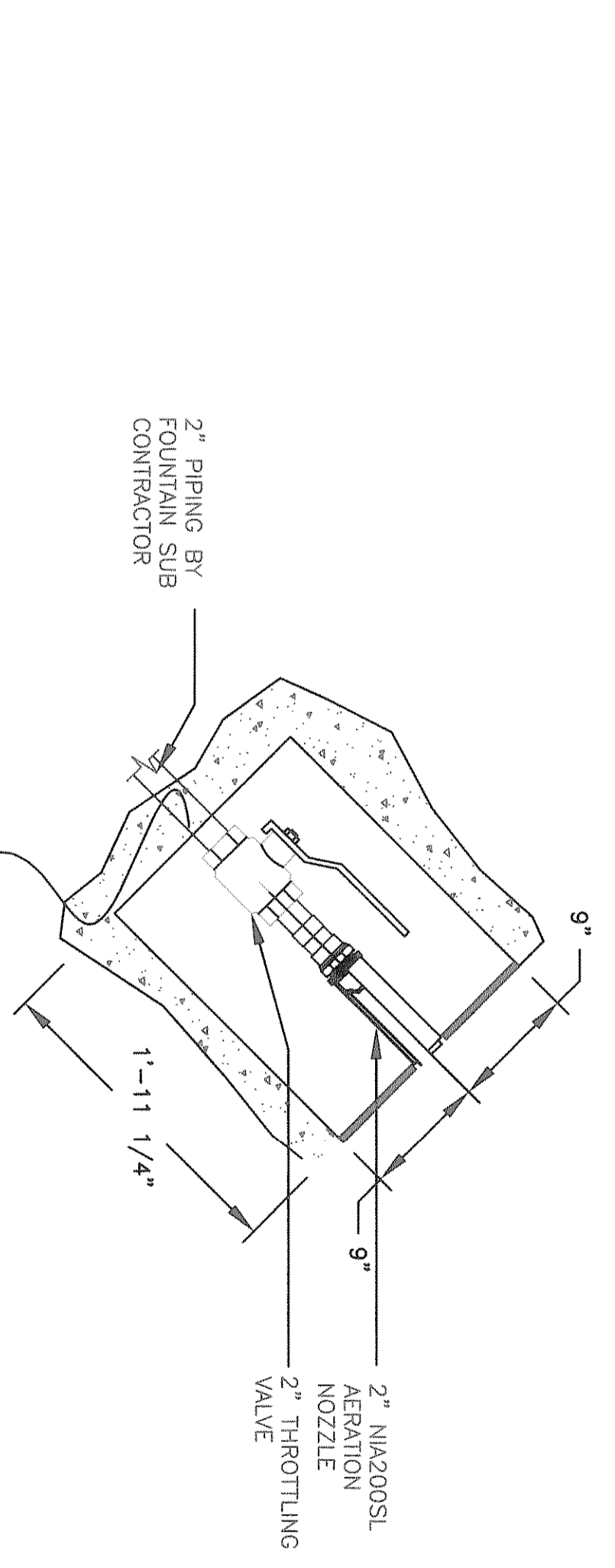
H DETAIL
AWS-150 WALL SKIMMER
 SCALE: N.T.S.



I DETAIL
DSA-200L FILTER SUCTION INLET
 SCALE: N.T.S.



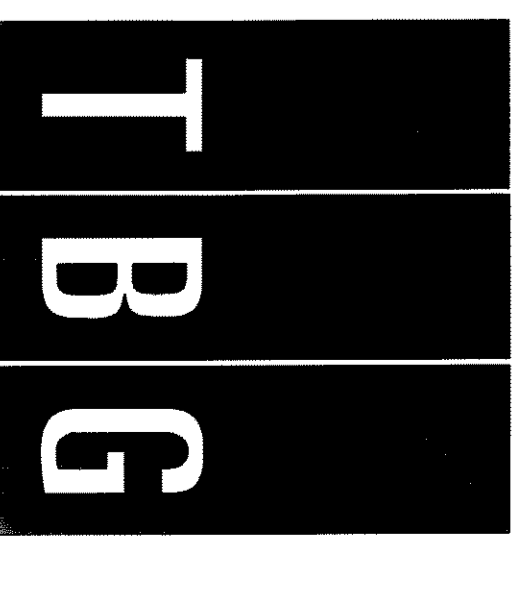
J DETAIL
4" POOL DRAIN DOWN VALVE / VALVE BOX
 SCALE: N.T.S.



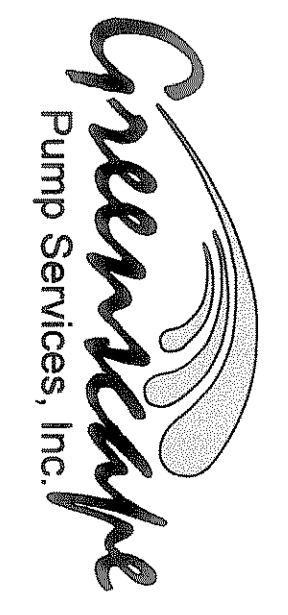
K DETAIL
NIA-0300L STATUE NOZZLE ASSEMBLY
 SCALE: N.T.S.

NOTE: FOUNTAIN SUB CONTRACTOR TO COORDINATE INSTALLATION OF STATUE NOZZLES WITH ARCHITECT AND STATUE ARTIST

- NOTES**
- REFER TO FOUNTAIN SPECIFICATION
 - REFER TO INSTALLATION INSTRUCTIONS SHIPPED WITH PRODUCT
 - REFER TO WATERPROOFING MANUFACTURER'S RECOMMENDATIONS TO PREVENT WATER INTRUSION
 - PREVENT THREADED BOLTS BEING FILED WITH DEBRIS
 - MATERIALS: BRASS, BRONZE, S.S. FASTENERS, FRP ANTI-VORTEX PLATE
 - DO NOT SCALE DRAWINGS



PARTNERS
 Landscape Architects • Planners
 302 North Market, Suite 450
 Dallas, Texas 75202
 214/744-0737 Fax: 214/744-0785
 Austin • Dallas • Houston • McAllen



Headquarters
 1425 Wilcox, Suite 108
 Ft. Worth, TX 76107
 Ph: 972-446-0037 Fax: 972-446-0313

© 2006 GREENSCAPE PUMP SERVICES, INC.

THE HARBOR ROCKWALL, TEXAS

NO.	REVISION/DESCRIPTION	DATE
1	POST-LEAD APPENDIX	01/11/06
2	AS BUILT	11/10/08

JOB NO. 4890
 DATE: JULY 12, 2005
 DRAWN BY: GDR CHECKED BY:
 FILE: 4890.THEHARBOR.ASBUILT.11/10/08
 SHEET NUMBER
LW.05C