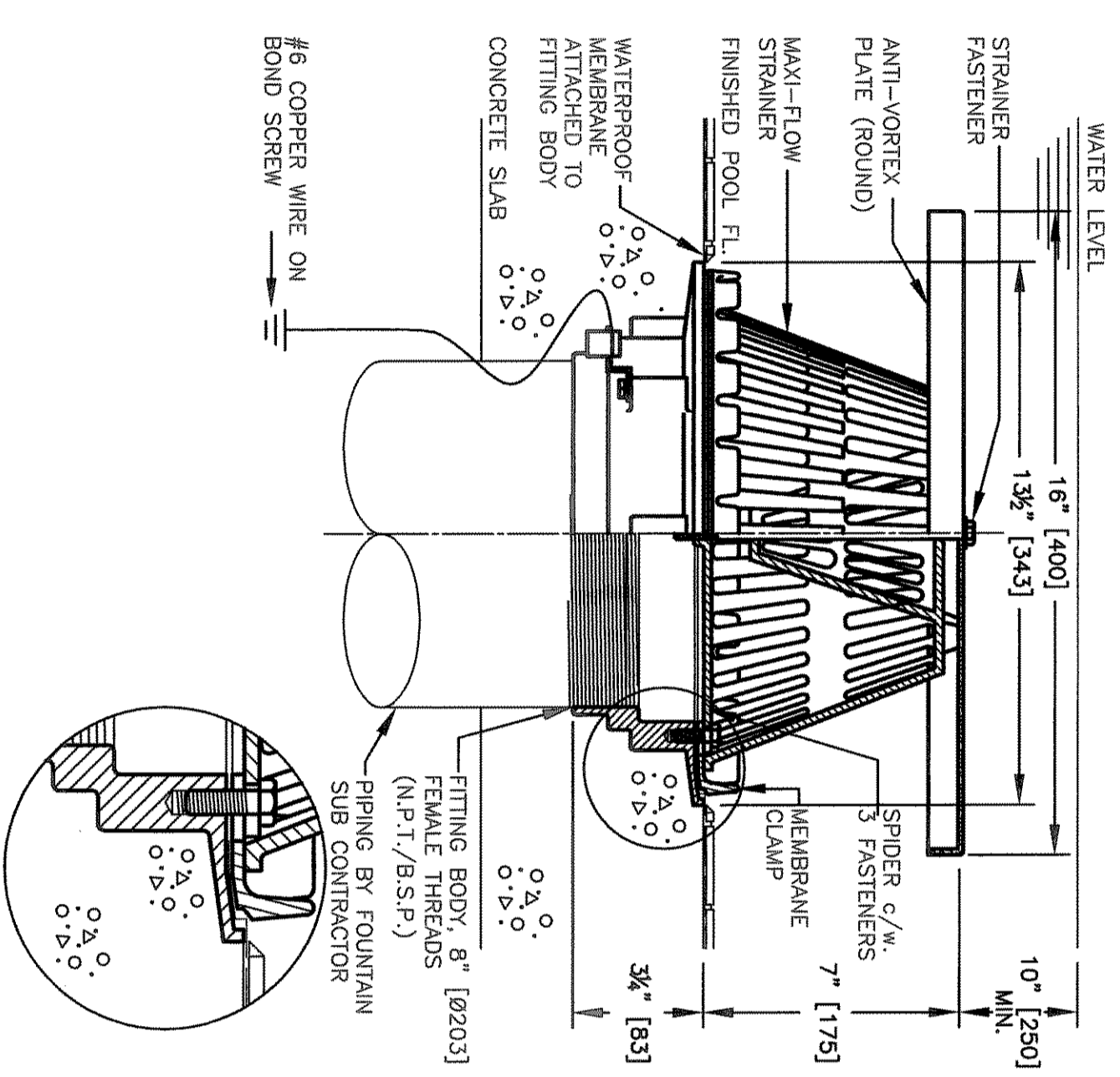
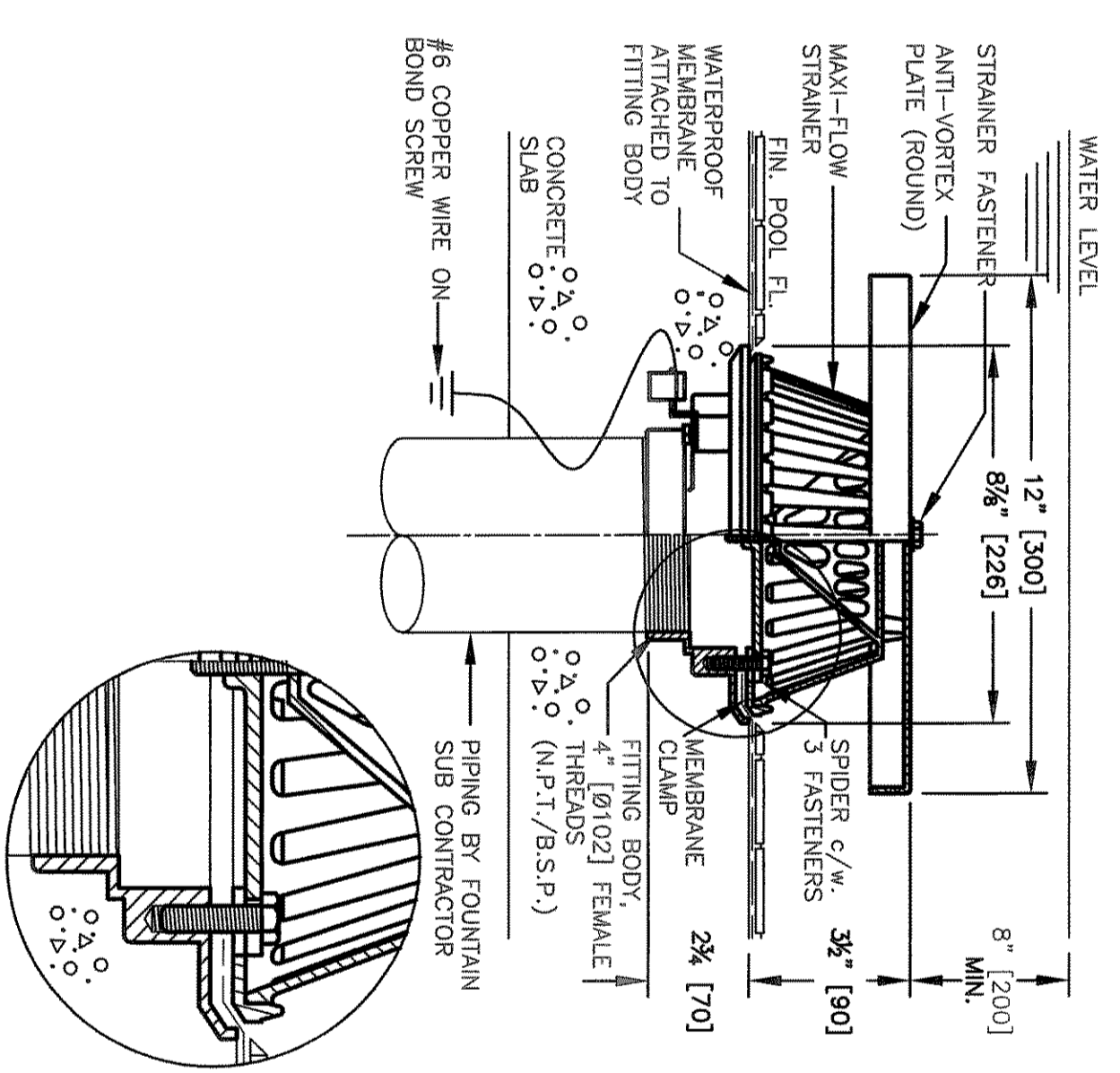


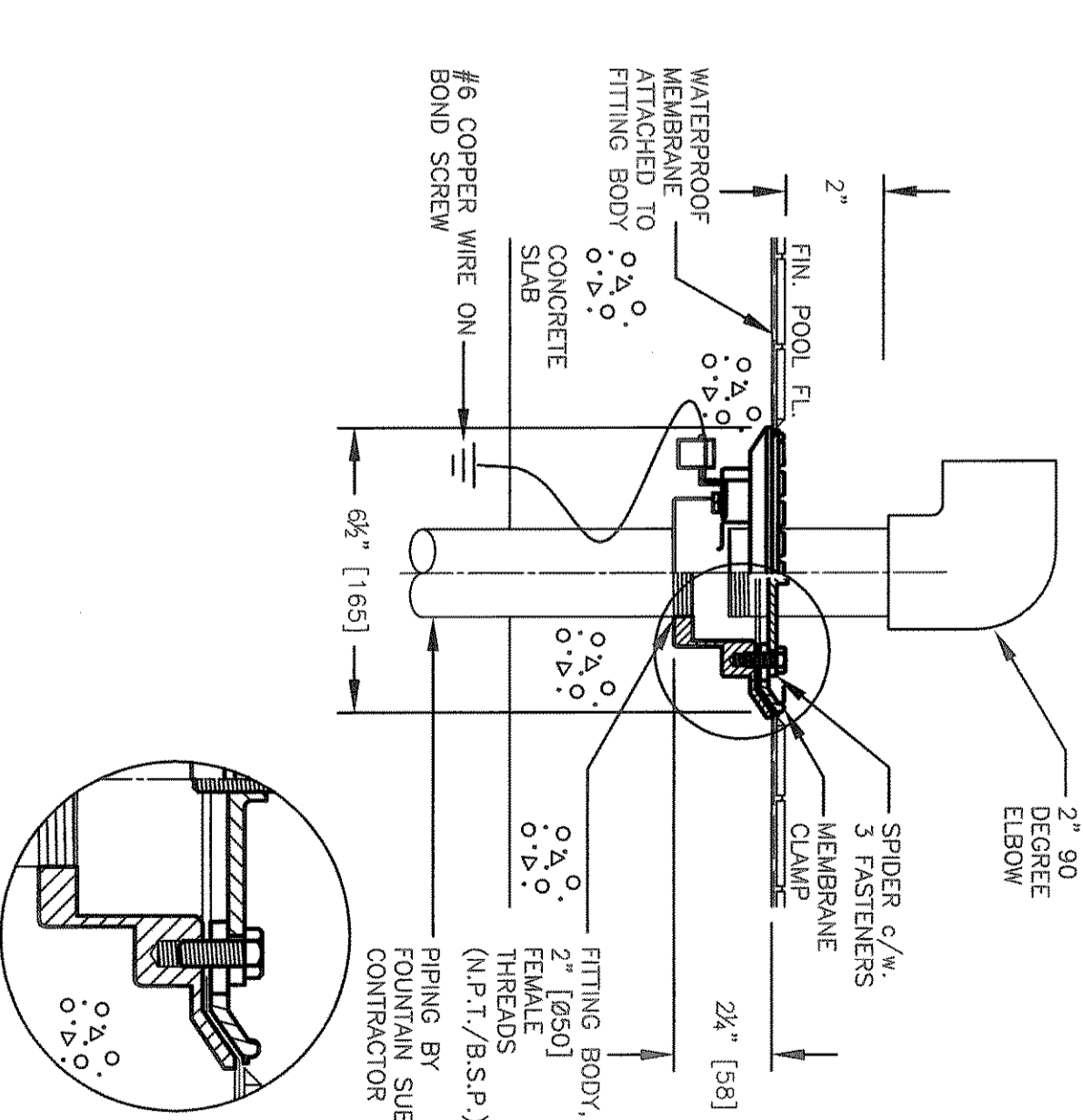
A DSA-600L SUCTION FITTING
SCALE: N.T.S.



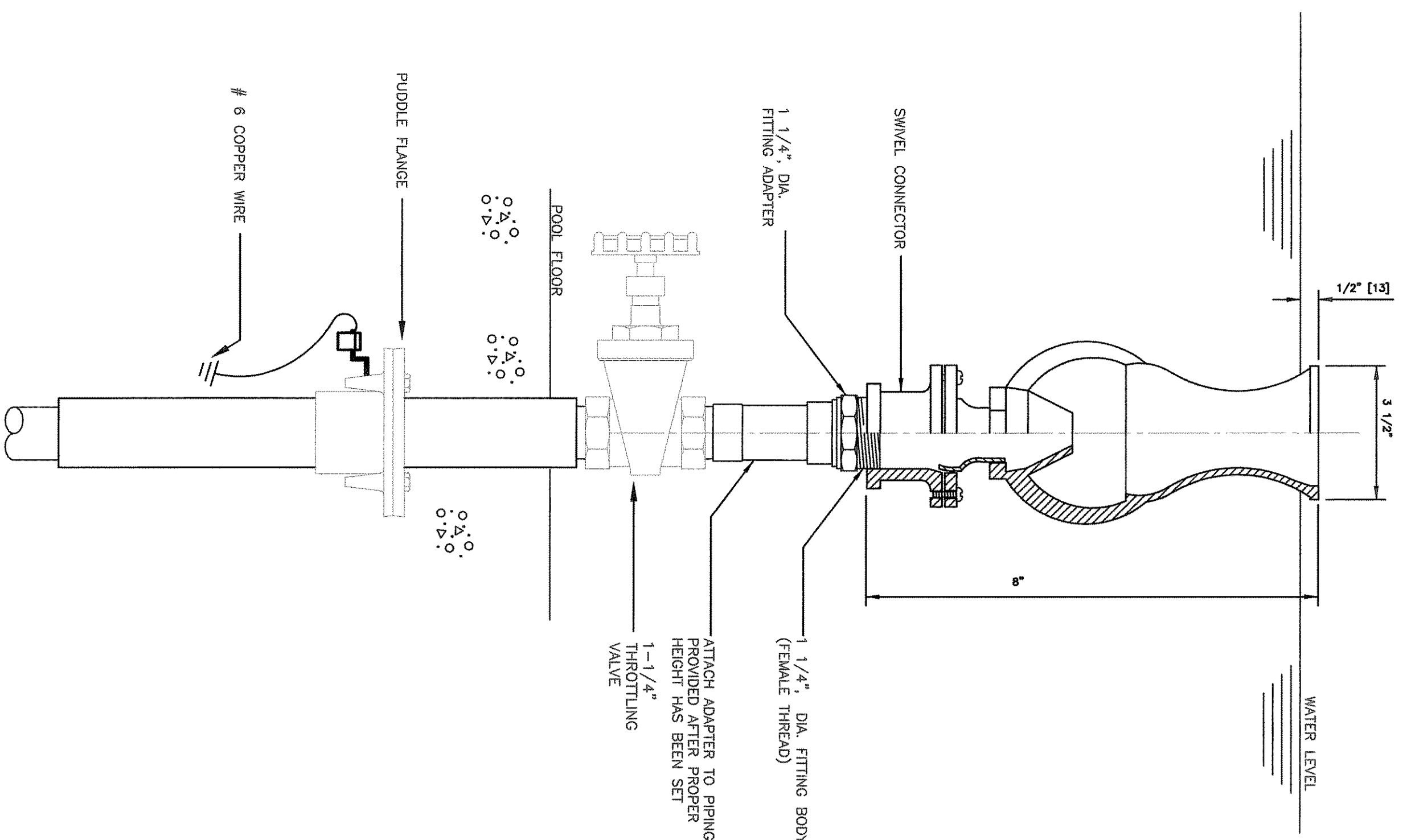
B DSA-800L SUCTION FITTING
SCALE: N.T.S.



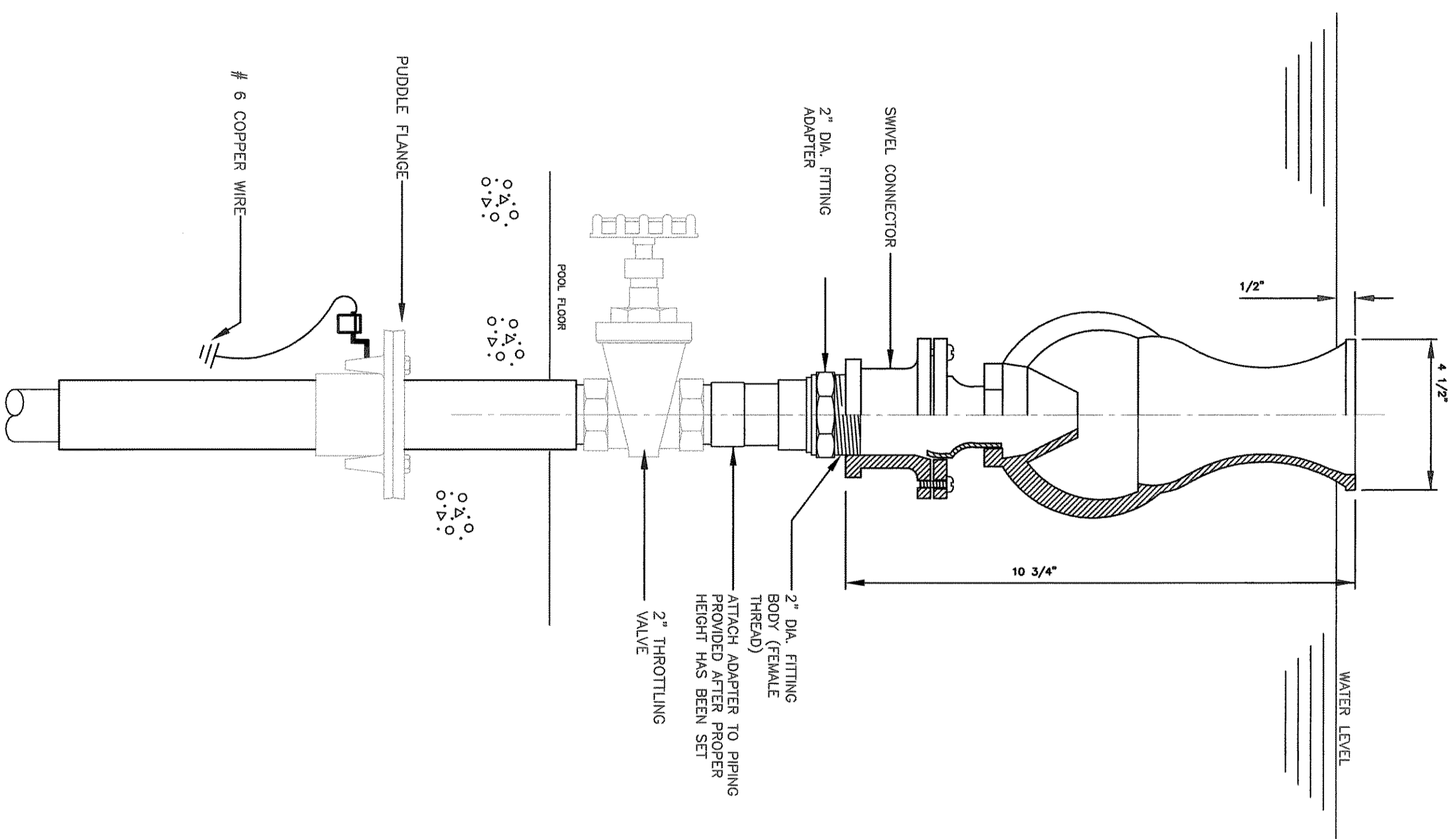
C DSA-400L POOL DRAIN FITTING
SCALE: N.T.S.



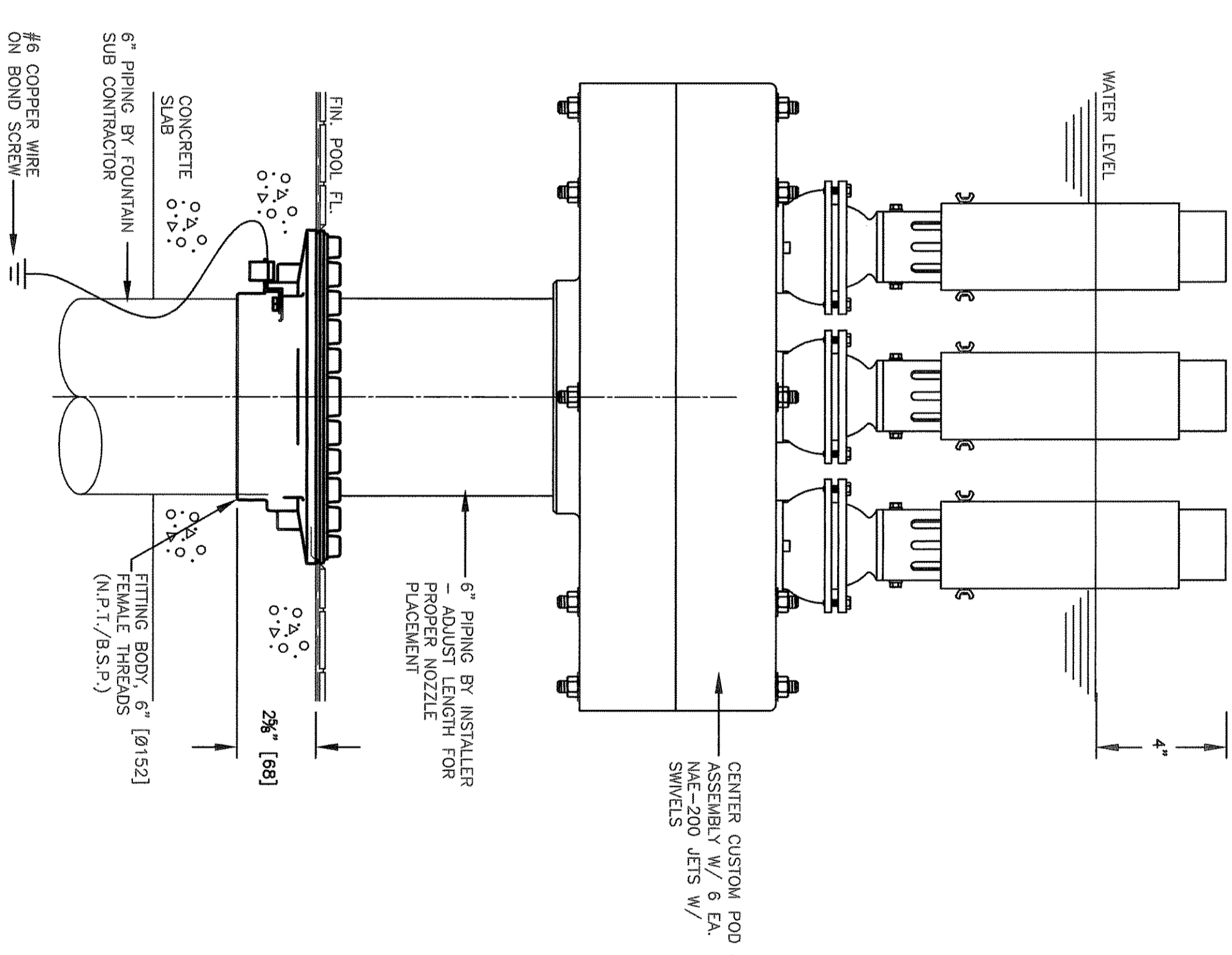
D DTS-200L INLET FITTING
SCALE: N.T.S.



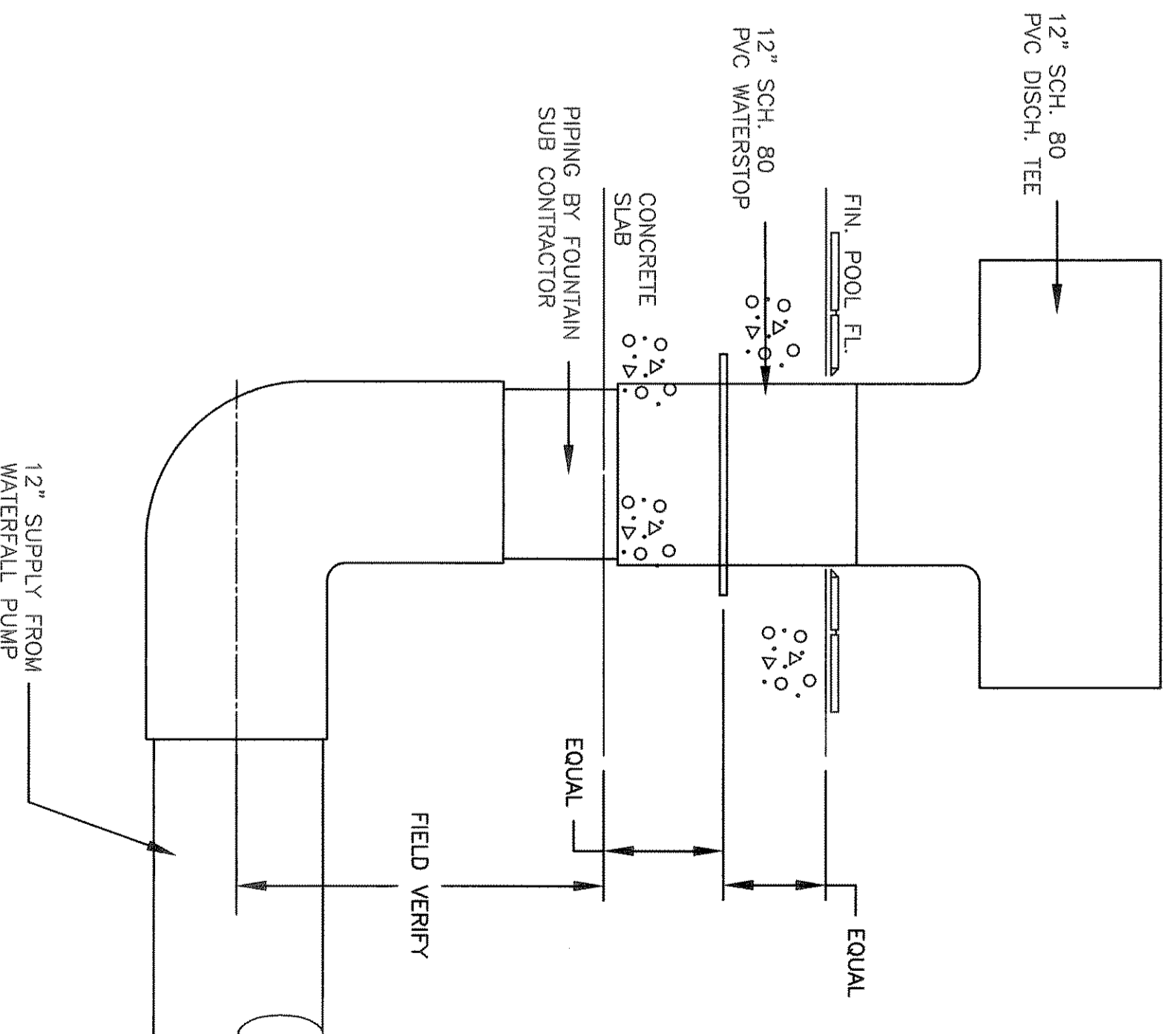
E NCA-150S CASCADE BOWL NOZZLE
SCALE: N.T.S.



F NCA-300S CASCADE BOWL NOZZLE
SCALE: N.T.S.

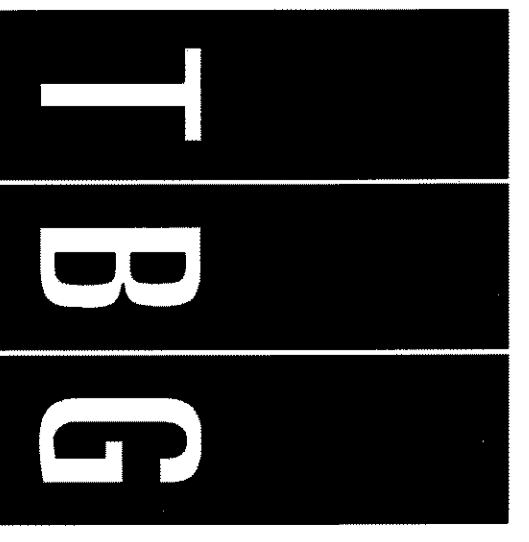


G CUSTOM BOWL CENTER NOZZLE POD
SCALE: N.T.S.

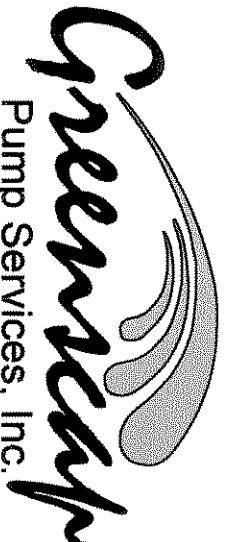


H 12" BOWL WATERFALL INLET FITTING
SCALE: N.T.S.

- NOTES**
- (1) REFER TO FOUNTAIN SPECIFICATION FOR MATERIALS SHOWN WITH PRODUCT
 - (2) REFER TO WATERPROOFING MANUFACTURER'S RECOMMENDATIONS TO PROTECT THE FOUNTAIN FROM WATER INGRESS
 - (3) REFER TO WATERPROOFING MANUFACTURER'S RECOMMENDATIONS TO PREVENT THREADED HOLES BEING FILLED WITH DEBRIS
 - (4) PREVENT THREADED HOLES BEING FILLED WITH DEBRIS
 - (5) REFER TO WATERPROOFING MANUFACTURER'S RECOMMENDATIONS FOR ANTI-VORTEX PLATE
 - (6) DO NOT SCALE DRAWINGS



PARTNERS
Landscape Architects • Planners
302 North Market, Suite 450
Dallas, Texas 75202
214/744-0757 Fax: 214/744-8785
Austin • Dallas • Houston • McAllen



• DESIGN • CONSULTING • CONTRACTING •
• SALES • SERVICE •
Headquarters: 109
Carrillon, Texas 75008
P.O. Box 446-0037 Fax: 872-446-0013

**THE HARBOR
ROCKWALL, TEXAS**

No.	REVISIONS	DATE
1	POST-BID ADDENDUM	01/17/08
2	AS BUILT	11/10/08

SHEET TITLE
LAKE SIDE COMPONENTS DETAIL

JOB NO. 4890
DATE JULY 12, 2005
DRAWN BY: GBR CHECKED BY: GBR
SCALE: AS SHOWN
SHEET NUMBER: 11/208

LW.05B