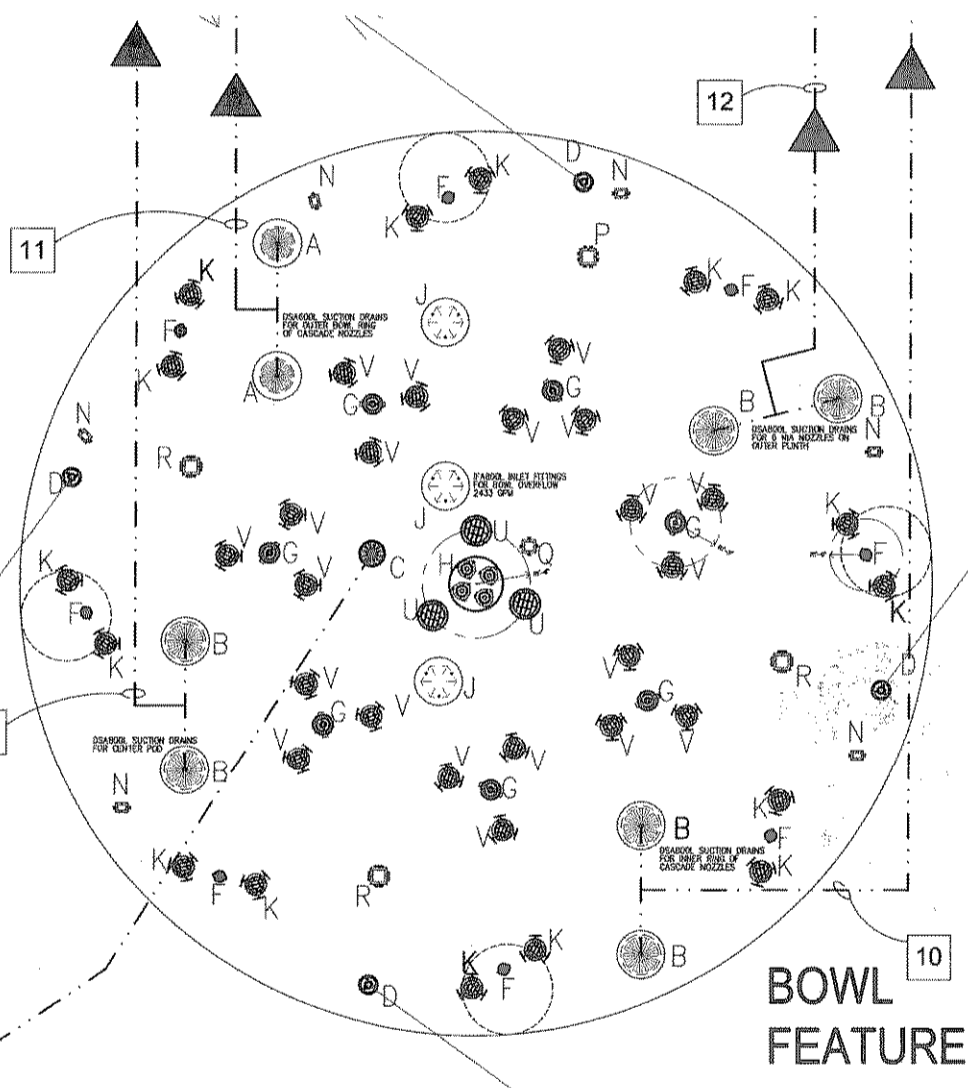


A LAKE SIDE FEATURE SUCTION PIPING PLAN
PLAN
SCALE: 1" = 10'-0"

ITEM	ITEM DESCRIPTION	QUANTITY
A	584002 SUCTION DRAIN	2
B	584004 SUCTION DRAIN	13
C	584004 POOL DRAIN FITTING	4
D	584004 THREADED INLET FITTING WITH ELBOW	18
E	584005 AERATOR NOZZLE WITH SWIVEL AND 584004 INLET FITTING	6
F	584005 CASCADE NOZZLES WITH SWIVEL AND 584004 INLET FITTING	7
G	584005 CENTER FOR 3/4" AERATOR NOZZLES AND 584004 INLET FITTING	3
H	584005 INLET FITTINGS FOR BOWL OVERFLOW	3
I	584005 UNDERWATER LIGHT FIXTURE AT 250 WATTS 120V	60
J	584005 UNDERWATER LIGHT FIXTURE AT 1000 WATTS 120V	18
K	584005 UNDERWATER LIGHT FIXTURE AT 500 WATTS 120V	3
L	584005 UNDERWATER LIGHT FIXTURE AT 1000 WATTS 120V	21
M	584005 UNDERWATER LIGHT FIXTURE AT 500 WATTS 120V	5
N	584005 UNDERWATER LIGHT FIXTURE AT 1000 WATTS 120V	21
O	584005 UNDERWATER LIGHT FIXTURE AT 500 WATTS 120V	5
P	584005 UNDERWATER LIGHT FIXTURE AT 1000 WATTS 120V	21
Q	584005 UNDERWATER LIGHT FIXTURE AT 500 WATTS 120V	5
R	584005 UNDERWATER LIGHT FIXTURE AT 1000 WATTS 120V	21
S	584005 UNDERWATER LIGHT FIXTURE AT 500 WATTS 120V	5
T	584005 UNDERWATER LIGHT FIXTURE AT 1000 WATTS 120V	21
U	584005 UNDERWATER LIGHT FIXTURE AT 500 WATTS 120V	5
V	584005 UNDERWATER LIGHT FIXTURE AT 1000 WATTS 120V	21
W	584005 UNDERWATER LIGHT FIXTURE AT 500 WATTS 120V	5
X	584005 UNDERWATER LIGHT FIXTURE AT 1000 WATTS 120V	21
Y	584005 UNDERWATER LIGHT FIXTURE AT 500 WATTS 120V	5
Z	584005 UNDERWATER LIGHT FIXTURE AT 1000 WATTS 120V	21

- NOTE:
 1) PIPING AND ELECTRICAL LAYOUTS ARE DIAGRAMATIC ONLY. FOUNTAIN SUB CONTRACTOR TO COORDINATE WITH CIVIL AND UTILITIES FOR MOST EFFICIENT ROUTE CONTAINING AS FEW ELBOWS AND DIRECTIONAL CHANGES AS POSSIBLE.
 2) REFERENCE PIPE RUN RISER DIAGRAM SHEET LW.05 FOR ALL PIPE SIZES. INSTALL REDUCERS IN VAULT AND BASINS AS CLOSE AS POSSIBLE TO ALL EQUIPMENT AND FITTINGS.
 3) REFERENCE ELECTRICAL PLANS FOR SPECIFICATIONS AND LOCATIONS OF ELECTRICAL PULL BOXES.



C LAKE SIDE FEATURE SUCTION PIPING PLAN
PLAN
SCALE: 3/8" = 1'-0"

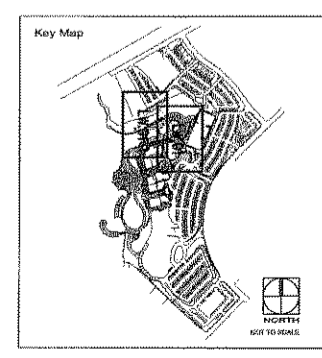
PUMP SYSTEM, POOL FITTING, PIPING, AND ELECTRICAL RISES ARE SHOWN FOR CLARITY ONLY. ACTUAL ROUTING MAY DIFFER IN THE FIELD.
 IT SHALL BE THE FOUNTAIN SUB CONTRACTOR'S RESPONSIBILITY TO COORDINATE PLACEMENT OF ALL PIPING AND CONDUITS TO AVOID CONFLICTS WITH THE DRAINAGE SYSTEM SHOWN ON THE OTHER SERIES DRAWINGS.

ELECTRICAL CONDUIT
 HYDRAULIC PIPING LINES
 UNDERWATER CABLE

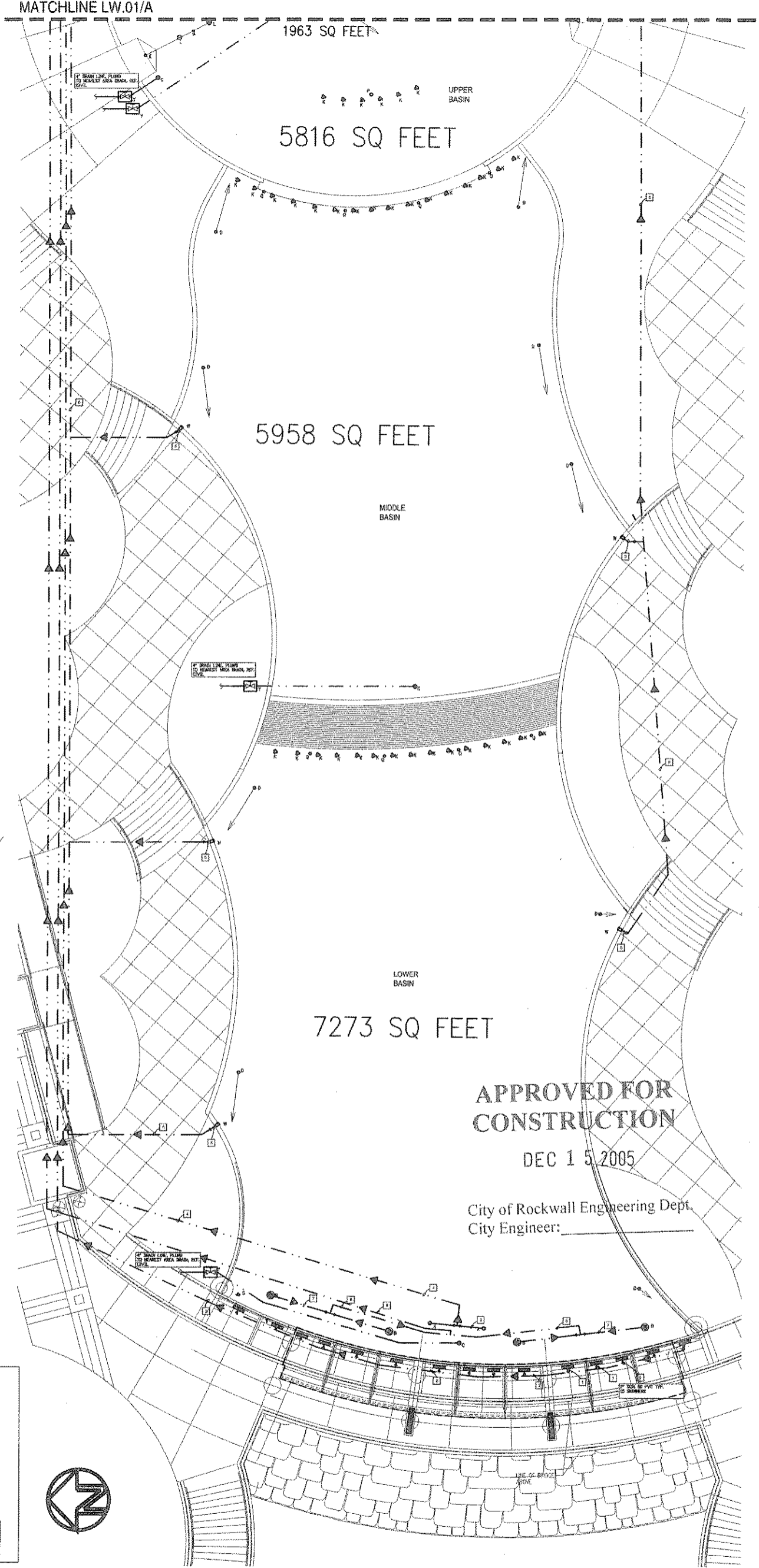
NOTE:
 REF. TO SHEETS LW.05B AND LW.05C FOR COMPONENT INSTALLATION DETAILS

SYM	SIZE	DESCRIPTION	QTY
1	2"	SCH 80 PVC SKIMMER SUCTION LINE	15
2	2"	SCH 80 PVC MAIN FILTER SUCTION TO EQUIPMENT VAULT	1
3	2"	SCH 80 PVC FILTER FLOOR SUCTION FITTING FROM EQUIPMENT VAULT	2
4	2"	SCH 80 PVC FILTER FLOOR SUCTION MAIN BACK TO EQUIPMENT VAULT	1
5	2"	SCH 80 PVC WALL SKIMMER SUCTION PIPING	5
6	2"	SCH 80 PVC MAIN WALL SKIMMER SUCTION BACK TO EQUIPMENT VAULT	1
7	2"	SCH 80 PVC WATERFALL SUCTION PIPING FROM MAIN FLOOR FITTING, DISMANT, SINK 17" MORE MAIN RETURN SUCTION PIPING TO EQUIPMENT VAULT	4
8	1/2"	SCH 17 MORE MAIN RETURN SUCTION PIPING TO EQUIPMENT VAULT	1
9	1/2"	SCH 80 PVC CENTER NOZZLE SUCTION PIPE FROM SUCTION FITTINGS TO EQUIP. VAULT	14
10	1/2"	SCH 80 PVC INNER RING NOZZLE SUCTION PIPE FROM SUCTION FITTINGS TO EQUIP. VAULT	1
11	1/2"	SCH 80 PVC OUTER RING NOZZLE SUCTION PIPE FROM SUCTION FITTINGS TO EQUIP. VAULT	1
12	1/2"	SCH 80 PVC OUTER PLUMB NOZZLE SUCTION PIPE FROM SUCTION FITTINGS TO EQUIP. VAULT	1

NOTE: REDUCE ALL PIPE SIZES AS NEAR TO DEVICES OR PENETRATIONS AS POSSIBLE.



B LAKE SIDE FEATURE SUCTION PIPING PLAN
PLAN
SCALE: 1" = 10'-0"



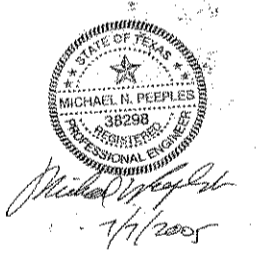
Landscape Architects • Planners
 302 North Market, Suite 450
 Dallas, Texas 75202
 214/744-0757 Fax: 214/744-6785
 Austin • Dallas • Houston • McAllen

Project:
 City of Rockwall

The Harbor
 Phase I
 Public Improvements

Rockwall, Texas

Project Number:
 D03991



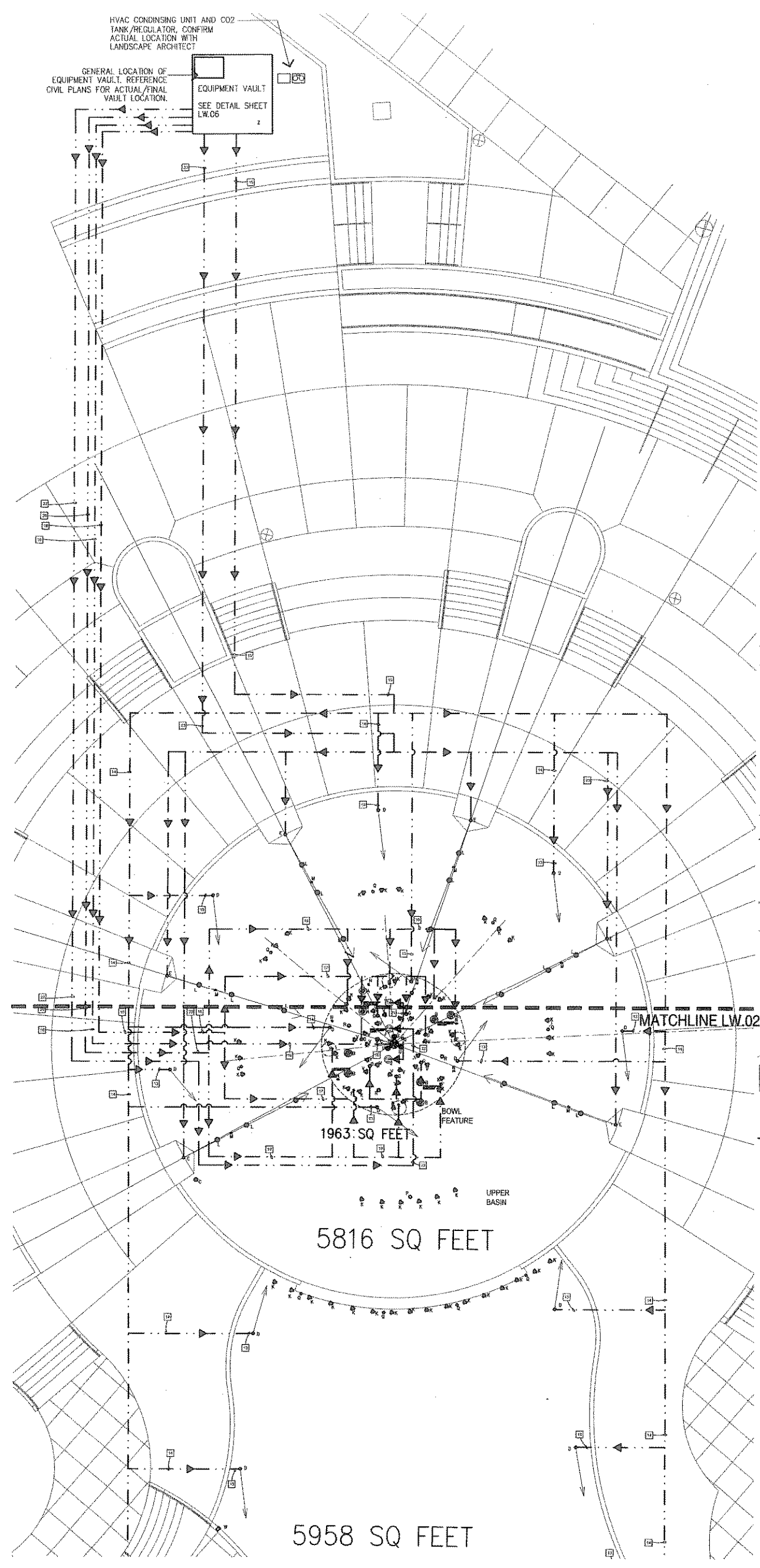
APPROVED FOR
 CONSTRUCTION
 DEC 15 2005

City of Rockwall Engineering Dept.
 City Engineer:

Designed: gpsi
 Drawn: gdr
 Reviewed:
 Date Issued:
 13 JULY 2005
 Revisions:

Sheet Title:
 Lake Side Feature -
 Suction Pipe Plan

Sheet Number:
 LW. 01



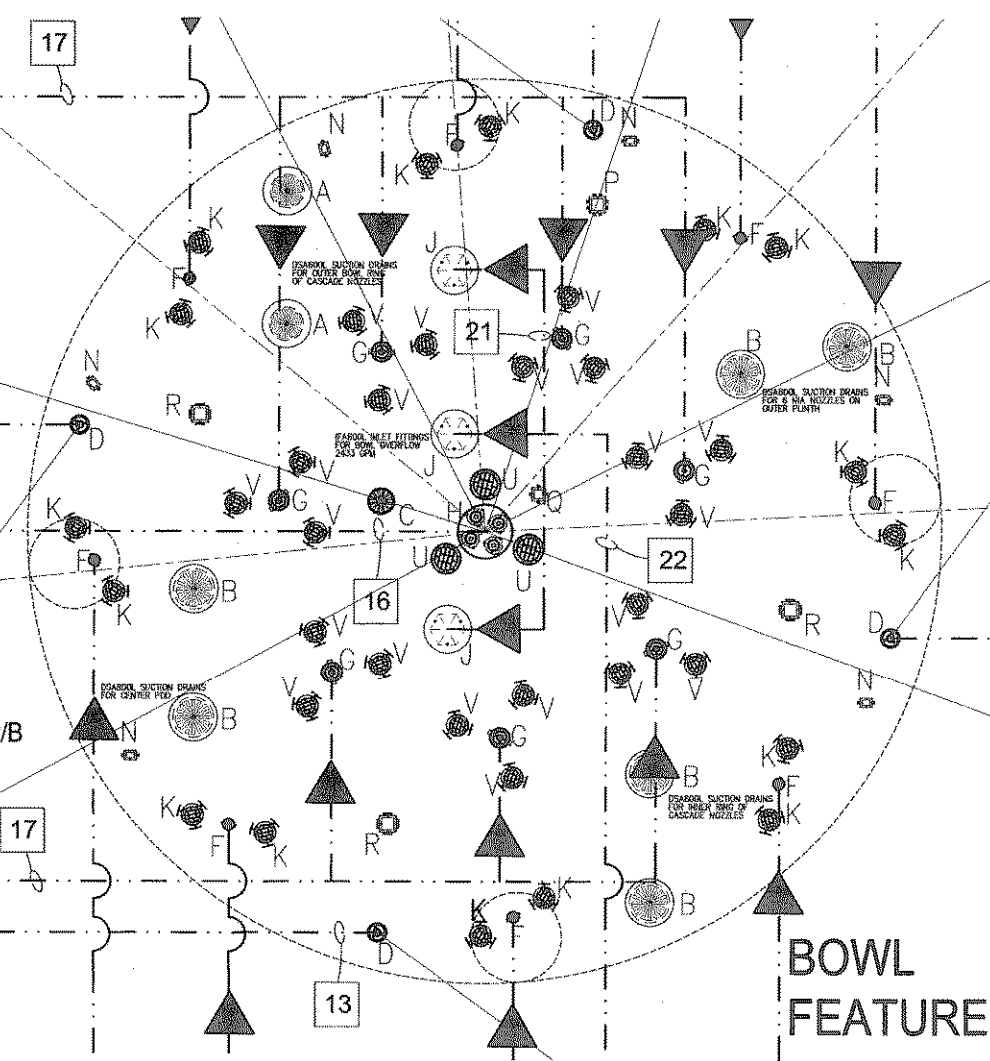
A LAKE SIDE FEATURE DISCHARGE PIPING PLAN
PLAN

ITEM	ITEM DESCRIPTION	QUANTITY
A	DISA00L SUCTION BRAN	2
B	DISA00L SUCTION BRAN	13
C	DISA00L POOL DRINK FITTING	4
D	DIS200L THREADED INLET FITTING WITH ELBOW	18
E	HAL3000 AERATOR NOZZLE WITH SWIVEL AND DIS200L INLET FITTING	8
F	NCAS05 CASCADE NOZZLES WITH SWIVEL AND DIS200L INLET FITTING	6
G	NCAS05 CASCADE NOZZLES WITH SWIVEL AND DIS200L INLET FITTING	7
H	AD24400 CENTER PIG C/W 4-HAL3000 NOZZLES AND DIS200L INLET FITTING	1
J	FAB00L INLET FITTING FOR BOWL OVERFLOW	3
K	ELOC00P UNDERWATER LIGHT FIXTURE AT 250 WATTS 120V	48
L	ELOC00P UNDERWATER LIGHT FIXTURE AT 500 WATTS 120V	18
M	ELB024 JUNCTION BOX WITH EPDM70 STUB UP AND 2 EGG002 O-RING SEALS	6
N	ELB024 JUNCTION BOX WITH EPDM70 STUB UP AND 1 EGG002 O-RING SEAL	6
P	ELB024 JUNCTION BOX WITH EPDM70 STUB UP AND EGG002 O-RING SEALS	2
Q	ELB024 JUNCTION BOX WITH EPDM70 STUB UP AND EGG002 O-RING SEALS	14
R	ELB024 JUNCTION BOX WITH EPDM70 STUB UP AND EGG002 O-RING SEALS	3
S	ELB024 JUNCTION BOX WITH EPDM70 STUB UP TRIPLE EX200 LEVEL SENSORS	1
T	WDR 3/8"X3/8" IN DIAMETER THROUGH	15
U	ELOC00P UNDERWATER LIGHT FIXTURE AT 1000 WATTS 120V	3
V	ELOC00P UNDERWATER LIGHT FIXTURE AT 500 WATTS 120V	21
W	AMP-100 FRONT ACCESS SKRIMMER	5
X	DISA00L FILTER SUCTION BRAN	1
Y	4" POOL BRAN GATE VALVE W/ LOCKABLE VALVE BOX	2
Z	CAST IN PLACE EQUIPMENT VAULT	1

NOTE:
 1) PIPING AND ELECTRICAL LAYOUTS ARE DIAGRAMATIC ONLY. FOUNTAIN SUB CONTRACTOR TO COORDINATE WITH CIVIL AND UTILITIES FOR MOST EFFICIENT ROUTE CONTAINING AS FEW ELBOWS AND DIRECTIONAL CHANGES AS POSSIBLE.
 2) REFERENCE PIPE RUN RISER DIAGRAM SHEET LW.05 FOR ALL PIPE SIZES. INSTALL REDUCERS IN VAULT AND BASINS AS CLOSE AS POSSIBLE TO ALL EQUIPMENT AND FITTINGS.
 3) REFERENCE ELECTRICAL PLANS FOR SPECIFICATIONS AND LOCATIONS OF ELECTRICAL PULL BOXES.

ITEM	DESCRIPTION	AMOUNT
13	SCH. 80 PVC FILTER RETURN LINE AT FITTING	18
14	SCH. 80 PVC MAIN FILTER RETURN LINE FOR DISTRIBUTION TO RETURN FITTINGS	4
15	SCH. 80 PVC MAIN FILTER DISCHARGE FROM EQUIPMENT VAULT	1
16	SCH. 80 PVC CENTER PIG JET DISCHARGE PIPING, REDUCE TO 4" AT PIG	1
17	SCH. 80 PVC INNER CASCADE NOZZLE SUPPLY DISTRIBUTION PIPING, REDUCE TO 7" AT NOZZLE	2
18	SCH. 80 PVC INNER CASCADE NOZZLE MAIN SUPPLY FROM EQUIPMENT VAULT	1
19	SCH. 80 PVC OUTER CASCADE NOZZLE SUPPLY DISTRIBUTION PIPING, REDUCE TO 3/4" AT NOZZLE	2
20	SCH. 80 PVC OUTER CASCADE NOZZLE MAIN SUPPLY FROM EQUIPMENT VAULT	1
21	SCH. 80 PVC WATERFALL SUPPLY TO DISCHARGE FITTING	3
22	SCH. 80 PVC MAIN WATERFALL SUPPLY FROM EQUIPMENT VAULT TO DISTRIBUTION PIPING TO FITTINGS	1
23	SCH. 80 PVC ARCHING AERATION NOZZLE SUPPLY PIPING, REDUCE TO 7" AT NOZZLE LOCATION	1

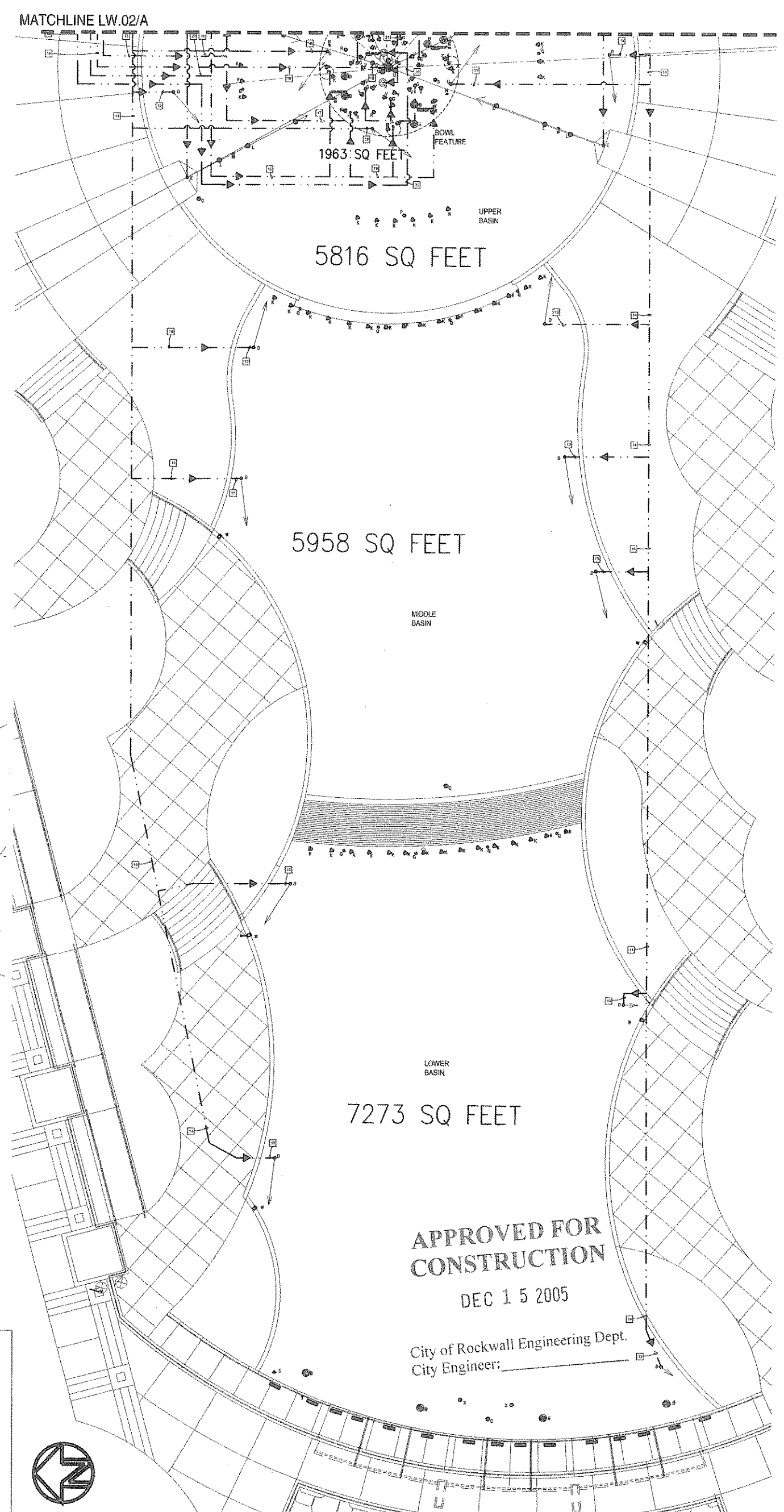
NOTE: REDUCE ALL PIPE SIZES AS NEAR TO SOURCE OR DESTINATION AS POSSIBLE.



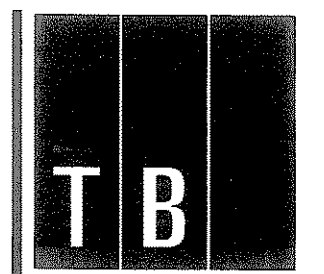
B LAKE SIDE FEATURE DISCHARGE PIPING PLAN
PLAN

PUMP SYSTEM, POOL FITTING, PIPING, AND ELECTRICAL RUNS ARE SHOWN FOR CLARITY ONLY. ACTUAL ROUTING MAY DIFFER IN THE FIELD.
 IT SHALL BE THE FOUNTAIN SUB CONTRACTORS RESPONSIBILITY TO COORDINATE PLACEMENT OF ALL PIPING AND CONCRETE TO AVOID CONFLICTS WITH THE COVERAGE SYSTEM SHOWN ON THE "TOP SERIES" DRAWINGS.
 ELECTRICAL CONDUIT
 HYDRAULIC PIPING/LINES
 UNDERWATER CABLE

NOTE:
 REF. TO SHEETS LW.05B AND LW.05C FOR COMPONENT INSTALLATION DETAILS



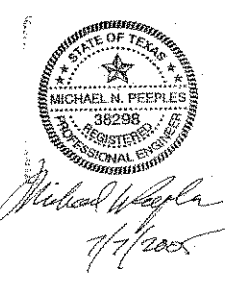
C LAKE SIDE FEATURE DISCHARGE PIPING PLAN
PLAN



Landscape Architects • Planners
 302 North Market, Suite 450
 Dallas, Texas 75202
 214/744-0757 Fax: 214/744-6785
 Austin • Dallas • Houston • McAllen

Project:
 City of Rockwall
 The Harbor
 Phase I
 Public Improvements

Rockwall, Texas
 Project Number:
 D03991



Designed: gpd
 Drawn: gdr
 Reviewed:
 Date Issued:
 13 JULY 2005
 Revisions:

APPROVED FOR
 CONSTRUCTION
 DEC 15 2005

City of Rockwall Engineering Dept.
 City Engineer: _____

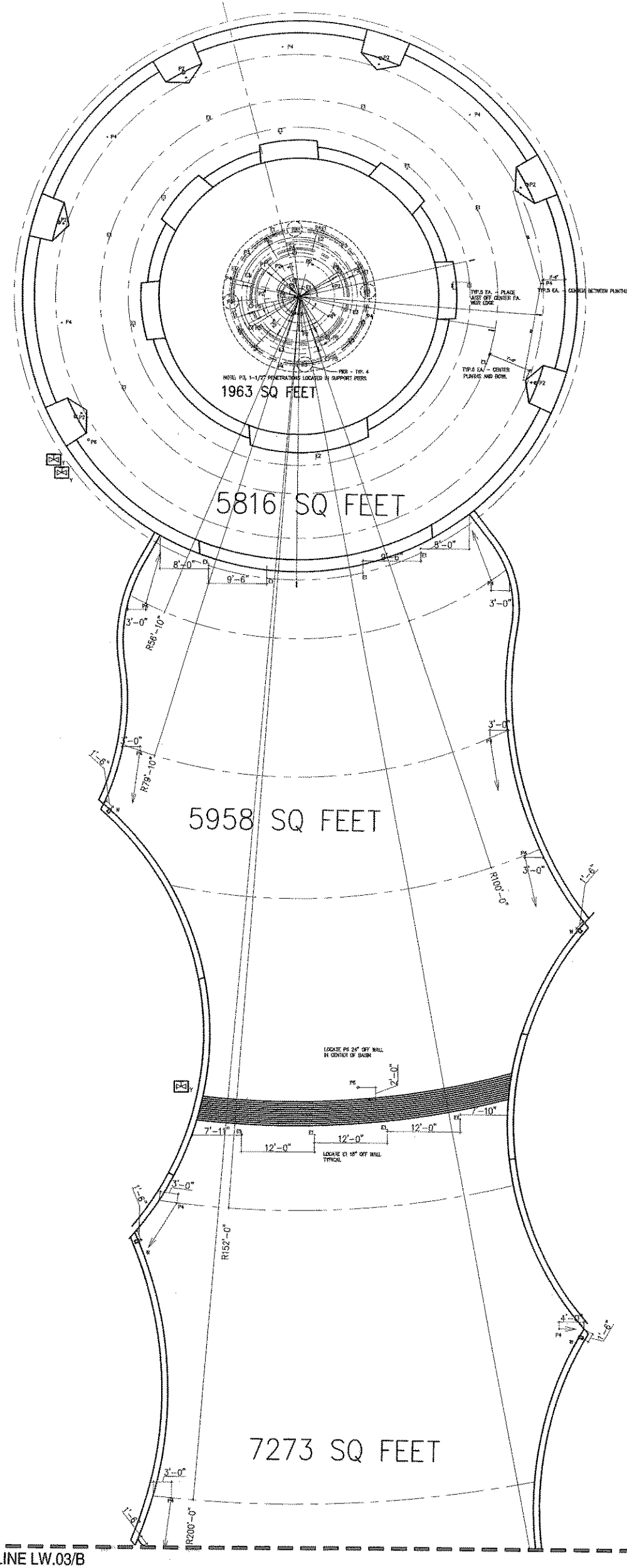
Sheet Title:
 Lake Side Feature -
 Discharge Pipe Plan
 Sheet Number:
 LW. 02

SCALE: 1" = 10'-0"

SCALE: 3/8" = 1'-0"

SCALE: 1" = 10'-0"

SCALE: 1" = 10'-0"

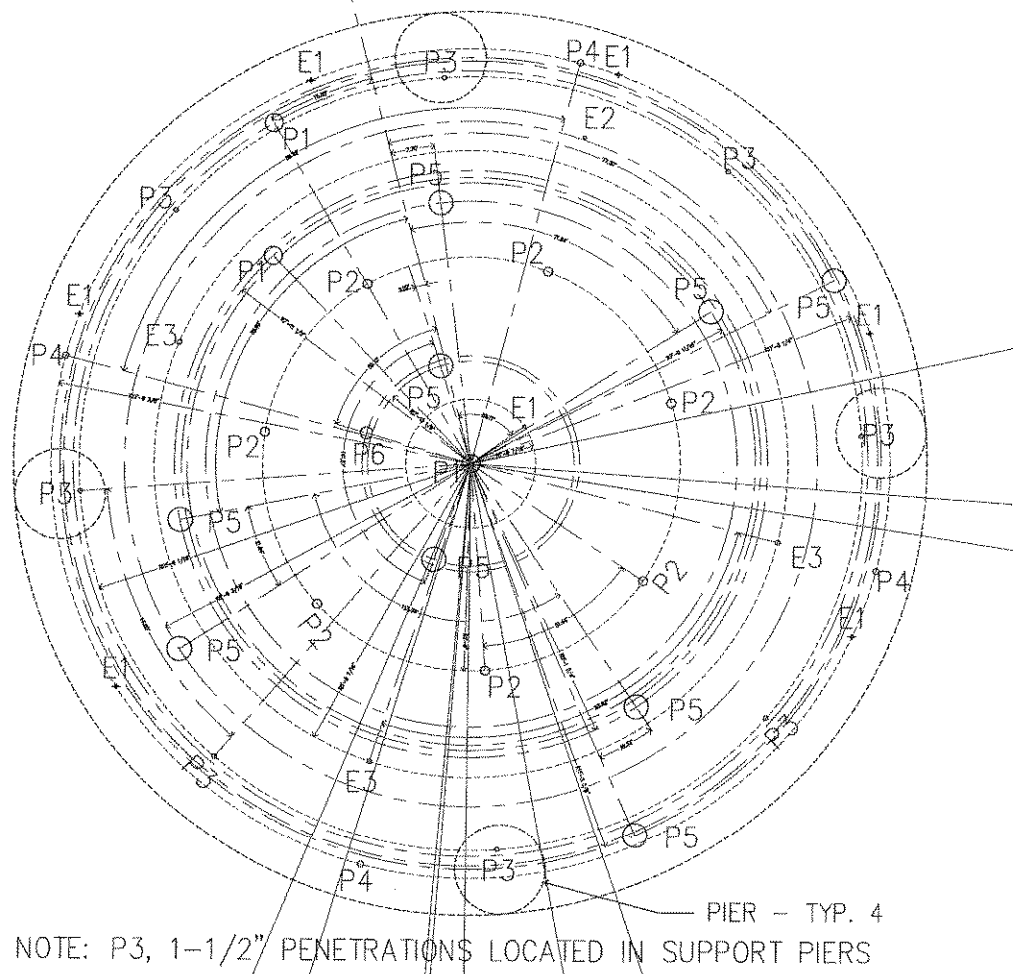


A LAKE SIDE FEATURE PENETRATION PLAN
PLAN

SCALE: 1" = 10'-0"

P - PIPE PENETRATION
E - ELECTRICAL PENETRATION

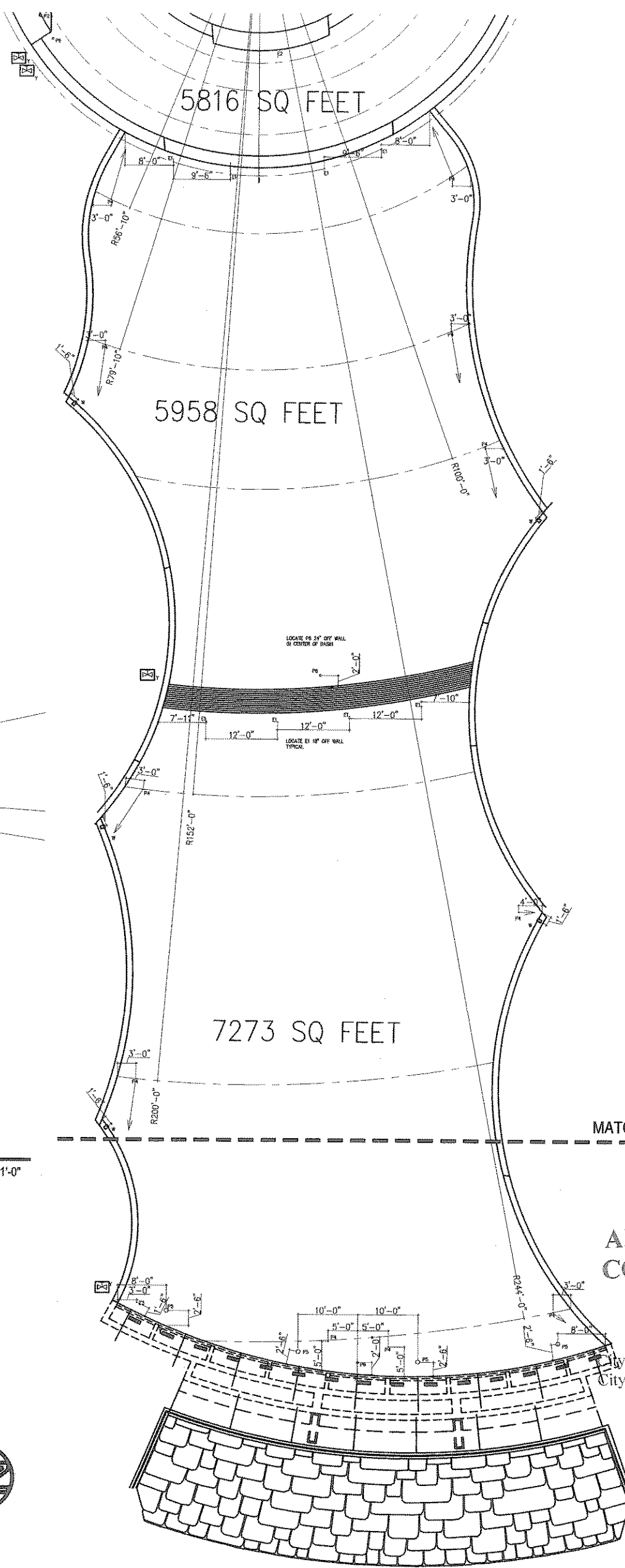
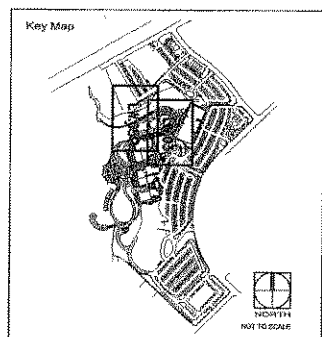
ITEM	ITEM DESCRIPTION
P1	6" PENETRATION
P2	3" PENETRATION
P3	1-1/2" PENETRATION
P4	2" PENETRATION
P5	8" PENETRATION
P6	4" PENETRATION
E1	3/4" JUNCTION BOX PENETRATION
E2	1" JUNCTION BOX PENETRATION
E3	1-1/4" JUNCTION BOX PENETRATION



C LAKE SIDE FEATURE BOWL PENETRATION PLAN
PLAN

SCALE: 3/8" = 1'-0"

NOTE:
REF. TO SHEETS LW.05B AND LW.05C FOR COMPONENT
INSTALLATION DETAILS



B LAKE SIDE FEATURE PENETRATION PLAN
PLAN

SCALE: 1" = 10'-0"

T B
PARTNERS

Landscape Architects - Planners
302 North Market, Suite 450
Dallas, Texas 75202
214/744-0757 Fax: 214/744-6785
Austin - Dallas - Houston - McAllen

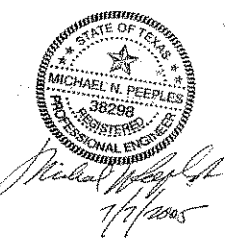
Project:

City of Rockwall

The Harbor
Phase I
Public Improvements

Rockwall, Texas

Project Number:
D03991



Designed: gpsi

Drawn: gdr

Reviewed:

Date Issued:
13 JULY 2005

Revisions:

**APPROVED FOR
CONSTRUCTION**

DEC 15 2005

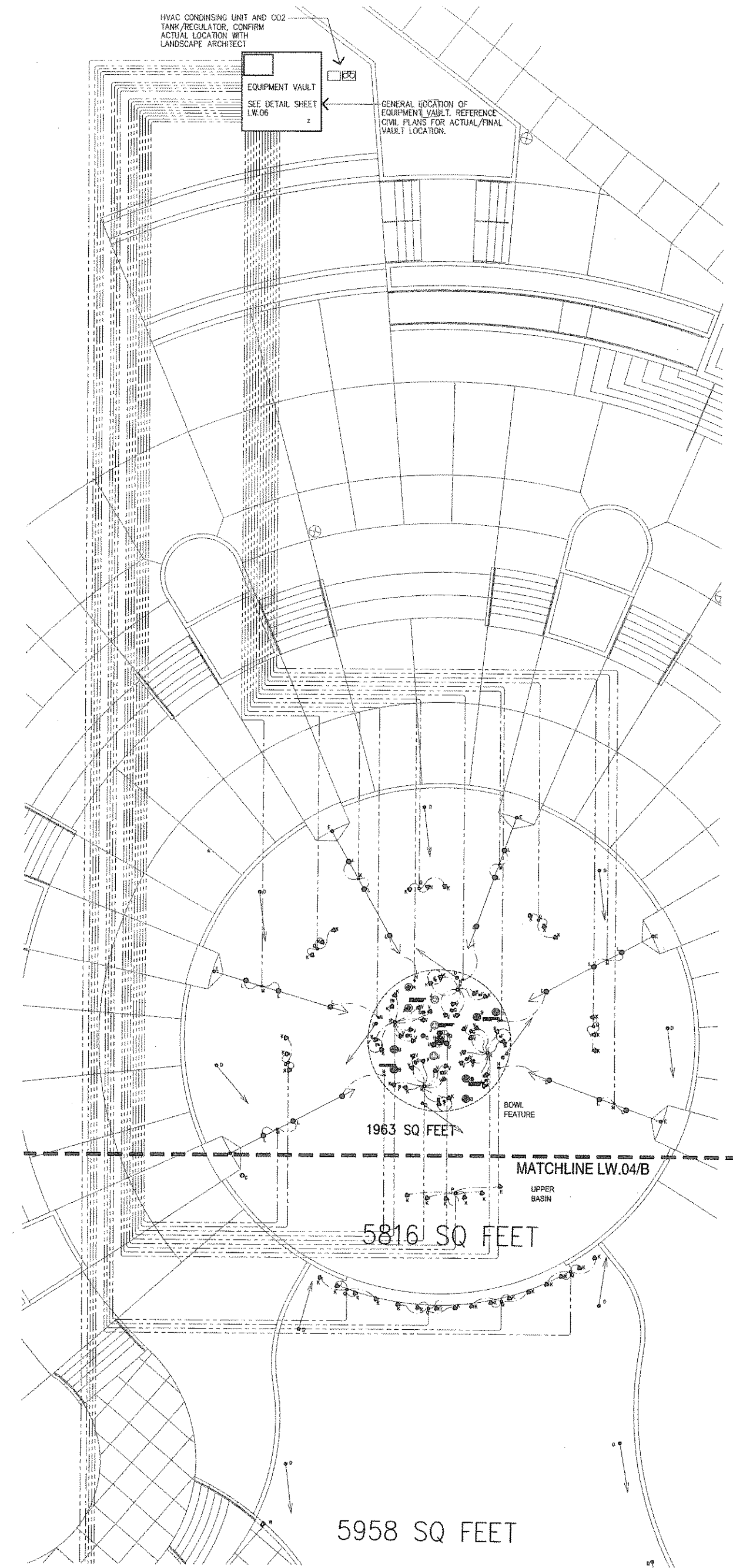
City of Rockwall Engineering Dept.
City Engineer:

Sheet Title:

Lake Side Feature -
Bowl Penetrations

Sheet Number:

LW. 03

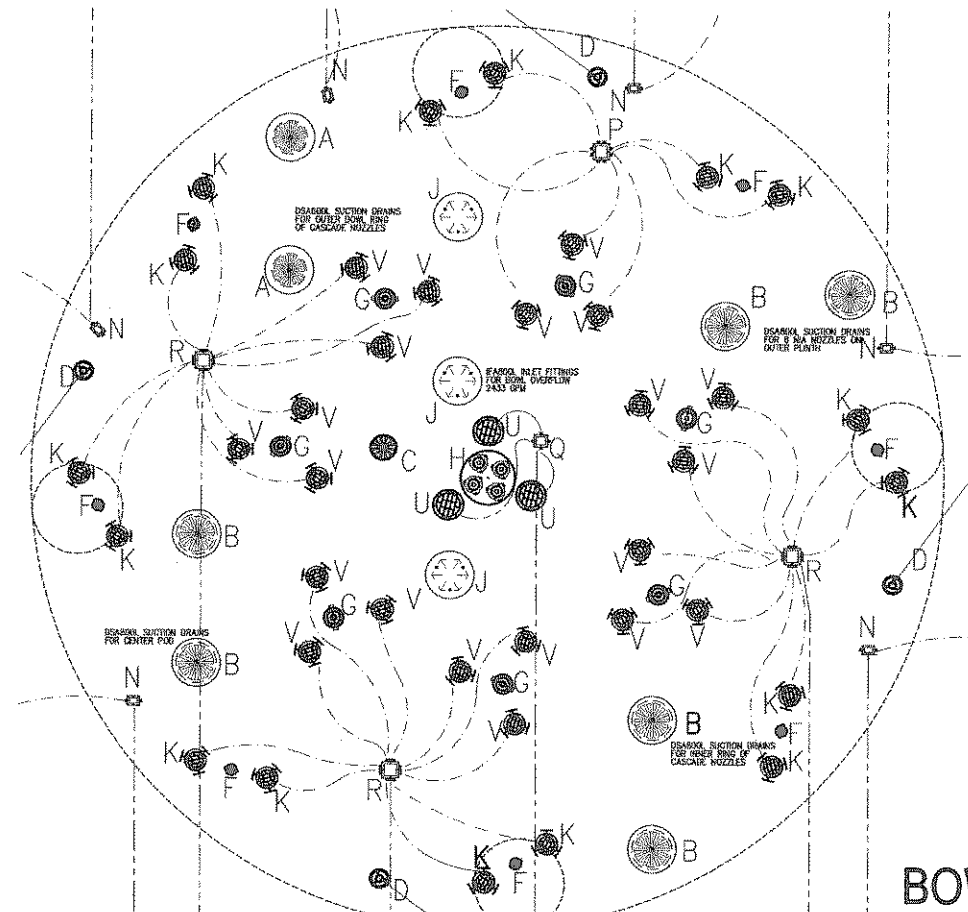


A LAKE SIDE FEATURE ELECTRICAL PLAN
PLAN

SCALE: 1" = 10'-0"

ITEM	ITEM DESCRIPTION	QUANTITY
A	DS4800L SUCTION DRAIN	2
B	DS4800L SUCTION DRAIN	13
C	DS4400L POOL DRAIN FITTING	4
D	DT5200L THREADED INLET FITTING WITH ELBOW	18
E	NA3200S AERATOR NOZZLE WITH SWIVEL AND DT5200L INLET FITTING	6
F	NA3200S CASCADE NOZZLES WITH SWIVEL AND DT5200L INLET FITTING	8
G	NA3200S CASCADE NOZZLES WITH SWIVEL AND DT5200L INLET FITTING	7
H	DS64100 CENTER POOL C/W 4-NA3200 NOZZLES AND DT5800L INLET FITTING	1
J	W4800L INLET FITTINGS FOR BOWL OVERFLOW	3
K	ELC0200P UNDERWATER LIGHT FIXTURE AT 250 WATTS 120V	68
L	ELC0200P UNDERWATER LIGHT FIXTURE AT 500 WATTS 120V	18
M	EB2020 JUNCTION BOX WITH EP6075 STUB UP AND 2 EGS052 CORD SEALS	5
N	EB2020 JUNCTION BOX WITH EP6075 STUB UP AND 1 EGS052 CORD SEAL	6
P	EB2030 JUNCTION BOX WITH EP6100 STUB UP AND EGS052 CORD SEALS	2
Q	EB2034 JUNCTION BOX WITH EP6100 STUB UP AND EGS052 CORD SEALS	14
R	EB2012 JUNCTION BOX WITH EP6125 STUB UP AND EGS052 CORD SEALS	3
S	EB2024 JUNCTION BOX WITH EP6125 STUB UP TRIPLE ESL100 LEVEL SENSORS	1
T	WEIR SKIMMERS IN SKIMMER TROUGH	15
U	ELC100P UNDERWATER LIGHT FIXTURE AT 1000 WATTS 120V	3
V	ELC0200P UNDERWATER LIGHT FIXTURE AT 500 WATTS 120V	21
W	ANS-150 FRONT ACCESS SKIMMER	5
X	DS4200L FILTER SUCTION DRAIN	2
Y	4" POOL DRAIN GATE VALVE W/ LOCKABLE VALVE BOX	2
Z	CAST IN PLACE EQUIPMENT VAULT	1

NOTE:
 1) PIPING AND ELECTRICAL LAYOUTS ARE DIAGRAMATIC ONLY. FOUNTAIN SUB CONTRACTOR TO COORDINATE WITH CIVIL AND UTILITIES FOR MOST EFFICIENT ROUTE CONTAINING AS FEW ELBOWS AND DIRECTIONAL CHANGES AS POSSIBLE.
 2) REFERENCE PIPE RUN RISER DIAGRAM SHEET LW.05 FOR ALL PIPE SIZES. INSTALL REDUCERS IN VAULT AND BASINS AS CLOSE AS POSSIBLE TO ALL EQUIPMENT AND FITTINGS.
 3) REFERENCE ELECTRICAL PLANS FOR SPECIFICATIONS AND LOCATIONS OF ELECTRICAL PULL BOXES.



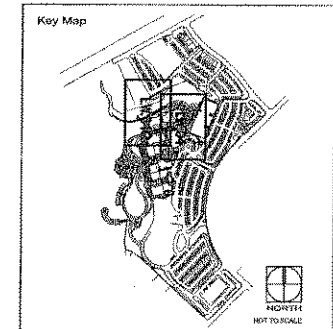
B LAKE SIDE FEATURE BOWL ELECTRICAL PLAN
PLAN

SCALE: 3/8" = 1'-0"

PUMP SYSTEM, POOL FITTING, PIPING AND ELECTRICAL RUNS ARE SHOWN FOR CLARITY ONLY. ACTUAL ROUTING MAY DIFFER IN THE FIELD.
 IT SHALL BE THE FOUNTAIN SUB CONTRACTORS RESPONSIBILITY TO COORDINATE PLACEMENT OF ALL PIPING AND CONDUITS TO AVOID CONFLICTS WITH THE DRAINAGE SYSTEM SHOWN ON THE "DR" SERIES DRAWINGS.

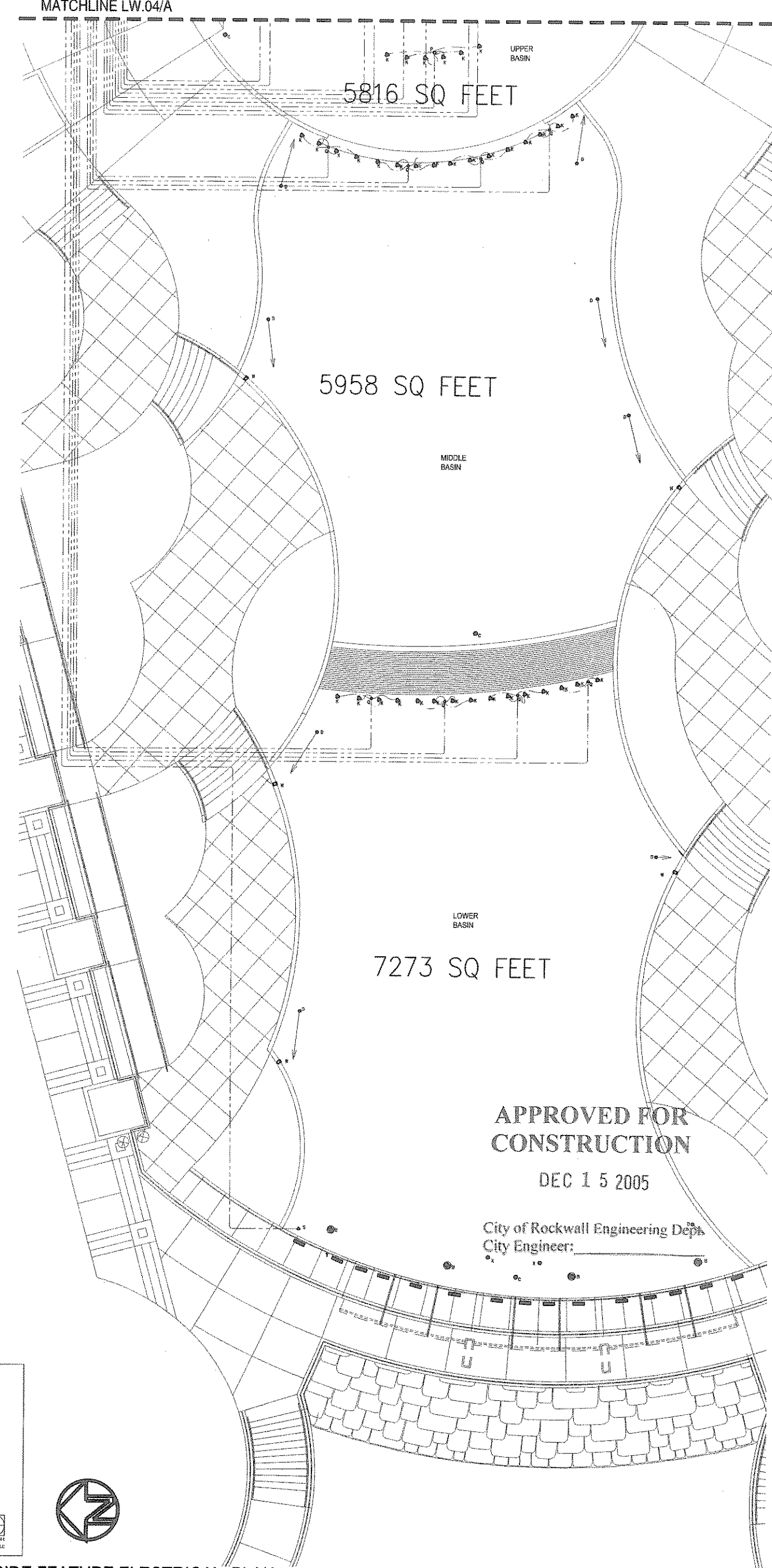
ELECTRICAL CONDUIT -
 HYDRAULIC PIPING LINES -
 UNDERWATER CABLE -

NOTE:
 REF. TO SHEETS LW.05B AND LW.05C FOR COMPONENT INSTALLATION DETAILS



B LAKE SIDE FEATURE ELECTRICAL PLAN
PLAN

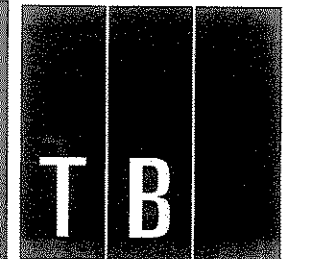
SCALE: 1" = 10'-0"



APPROVED FOR CONSTRUCTION

DEC 15 2005

City of Rockwall Engineering Dept.
 City Engineer:



PARTNERS

Landscape Architects • Planners
 302 North Market, Suite 450
 Dallas, Texas 75202
 214/744-0757 Fax: 214/744-6785
 Austin • Dallas • Houston • McAllen

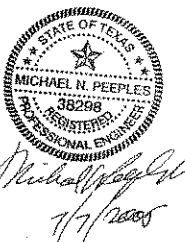
Project:

City of Rockwall

The Harbor
 Phase I
 Public Improvements

Rockwall, Texas

Project Number:
 D03991



Designed: gpa

Drawn: gdr

Reviewed:

Date issued:
 13 JULY 2005

Revisions:

Sheet Title:

Lake Side Feature -
 Electrical Plan

Sheet Number:

LW. 04

Project:

City of Rockwall

The Harbor
Phase I
Public Improvements

Rockwall, Texas

Project Number:
D03991



Designed: gpsi

Drawn: gdr

Reviewed:

Date Issued:
13 JULY 2005

Revisions:

**APPROVED FOR
CONSTRUCTION**

DEC 15 2005

City of Rockwall Engineering Dept.
City Engineer:

Sheet Title:

Lake Side Feature -
Piping Riser Plan

Sheet Number:

LW. 05

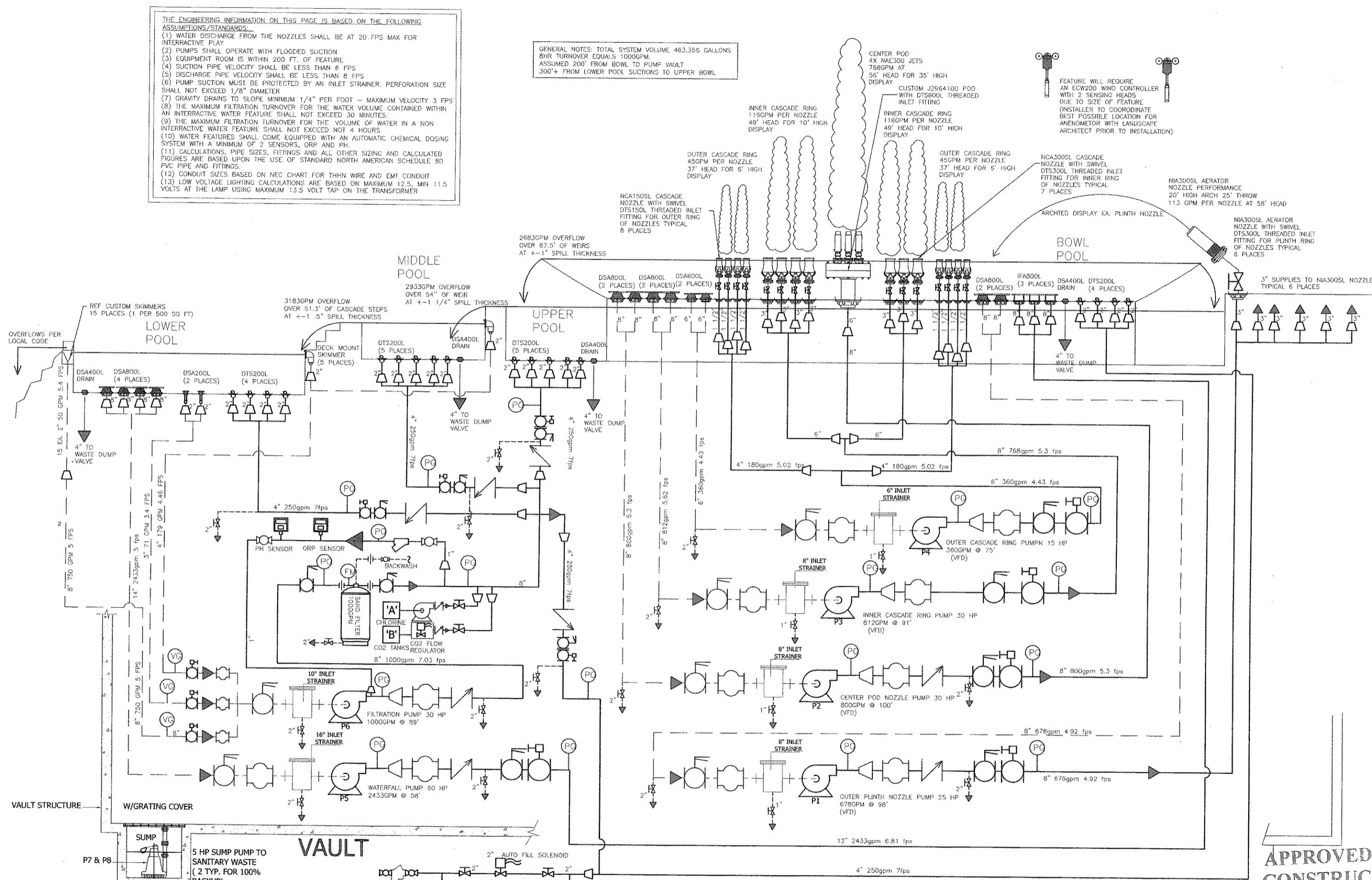
PFD LEGEND

	LEVER OPERATED BUTTERFLY VALVE
	GEAR OPERATED BUTTERFLY VALVE
	CHECK VALVE
	GATE VALVE
	UNION
	BALL VALVE
	FLEXIBLE COUPLING
	REDUCER
	PRESSURE GAUGE
	PRESSURE SWITCH
	TEMPERATURE SWITCH
	SOLENOID CONTROLLED GATE VALVE
	FLOW METER
	FLOW SWITCH
	GLOBE VALVE

PUMP LEGEND

NO.	DESCRIPTION	QTY.
P1	MFG. SCOT PUMP, MDL 57 25 HP., 230/480V 3 PH. 3500 RPM, TFC, 678 GPM AT 98 TDH.	1
P2	MFG. SCOT PUMP, MDL 57 30 HP., 230/480V 3 PH. 3500 RPM, TFC, 940 GPM AT 100 TDH.	1
P3	MFG. SCOT PUMP, MDL 57 30 HP., 230/480V 3 PH. 3500 RPM, TFC, 812 GPM AT 91 TDH.	1
P4	MFG. SCOT PUMP, MDL 55F 15 HP., 230/480V 3 PH. 3500 RPM, TFC, 360 GPM AT 73 TDH.	1
P5	MFG. SCOT PUMP, MDL 67 60 HP., 230/480V 3 PH. 1750 RPM, TFC, 2433 GPM AT 59 TDH.	1
P6	MFG. SCOT PUMP, MDL 96 30 HP., 230/480V 3 PH. 1750 RPM, TFC, 1000 GPM AT 89 TDH.	1
P7	MFG. GOULD MDL 388B03 SUBMERSIBLE PUMP, 5 HP., 480V 3 PH., MDL SERIES # W55G3403	2

IT SHALL BE THE FOUNTAIN SUB CONTRACTOR'S RESPONSIBILITY TO COORDINATE PLACEMENT OF ALL PIPING AND CONDUITS TO AVOID CONFLICTS WITH THE DRAINAGE SYSTEM SHOWN ON THE DR SERIES DRAWINGS.



THE ENGINEERING INFORMATION ON THIS PAGE IS BASED ON THE FOLLOWING ASSUMPTIONS/STANDARDS:
(1) WATER DISCHARGE FROM THE NOZZLES SHALL BE AT 20 FPS MAX FOR INTERACTIVE PLAY
(2) PUMPS SHALL OPERATE WITH FLOODED SUCTION
(3) EQUIPMENT ROOM IS WITHIN 200 FT. OF FEATURE
(4) SUCTION PIPE VELOCITY SHALL BE LESS THAN 8 FPS
(5) DISCHARGE PIPE VELOCITY SHALL BE LESS THAN 8 FPS
(6) PUMP SUCTION MUST BE PROTECTED BY AN INLET STRAINER. PERFORMANCE SIZE SHALL NOT EXCEED 1/8" DIAMETER
(7) GRAVITY DRAINS TO SLOPE MINIMUM 1/4" PER FOOT - MAXIMUM VELOCITY 3 FPS
(8) THE MAXIMUM FILTRATION TURNOVER FOR THE WATER VOLUME CONTAINED WITHIN AN INTERACTIVE WATER FEATURE SHALL NOT EXCEED 30 MINUTES.
(9) THE MAXIMUM FILTRATION TURNOVER FOR THE VOLUME OF WATER IN A NON INTERACTIVE WATER FEATURE SHALL NOT EXCEED 4 HOURS
(10) WATER FEATURES SHALL COME EQUIPPED WITH AN AUTOMATIC CHEMICAL DOSING SYSTEM WITH A MINIMUM OF 2 SENSORS, ORP AND PH.
(11) CALCULATIONS, PIPE SIZES, FITTINGS AND ALL OTHER SIZING AND CALCULATED FIGURES ARE BASED UPON THE USE OF STANDARD NORTH AMERICAN SCHEDULE 80 PVC PIPE AND FITTINGS.
(12) CONDUIT SIZES BASED ON NEC CHART FOR THIN WIRE AND EMT CONDUIT
(13) LOW VOLTAGE LIGHTING CALCULATIONS ARE BASED ON MAXIMUM 12.5 MVA 11.5 VOLTS AT THE LAMP USING MAXIMUM 13.5 VOLT TAP ON THE TRANSFORMER

GENERAL NOTES: TOTAL SYSTEM VOLUME 463,356 GALLONS
BHR TURNOVER EQUALS 100GPM
ASSUMED 200' FROM BOWL TO PUMP VAULT
300' + FROM LOWER POOL SUCTIONS TO UPPER BOWL

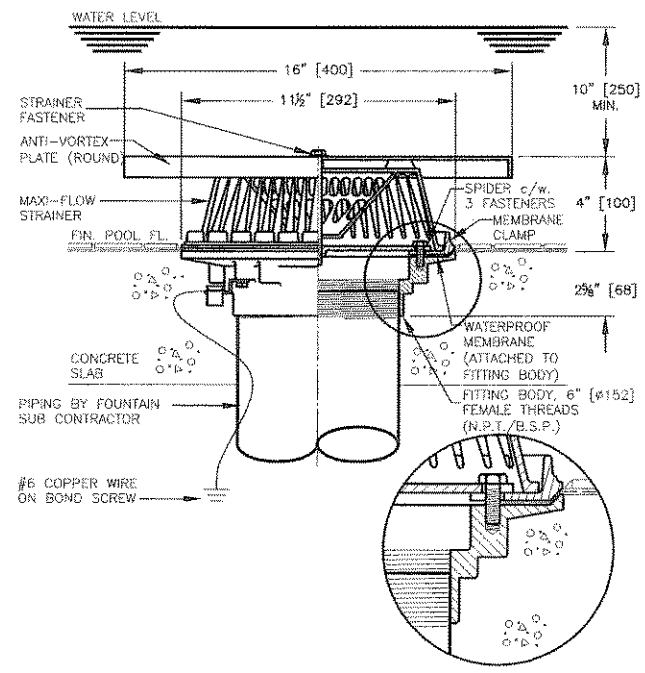
GENERAL NOTE: ENSURE ALL LOW POINTS IN PIPEWORK AND ALL PIPEWORK CAN BE COMPLETELY DRAINED FOR SERVICE
WATTS MDL 909 REDUCED PRESSURE ZONE BACKFLOW PREVENTER OR EQUAL BY GENERAL CONTRACTOR

PIPE LEGEND

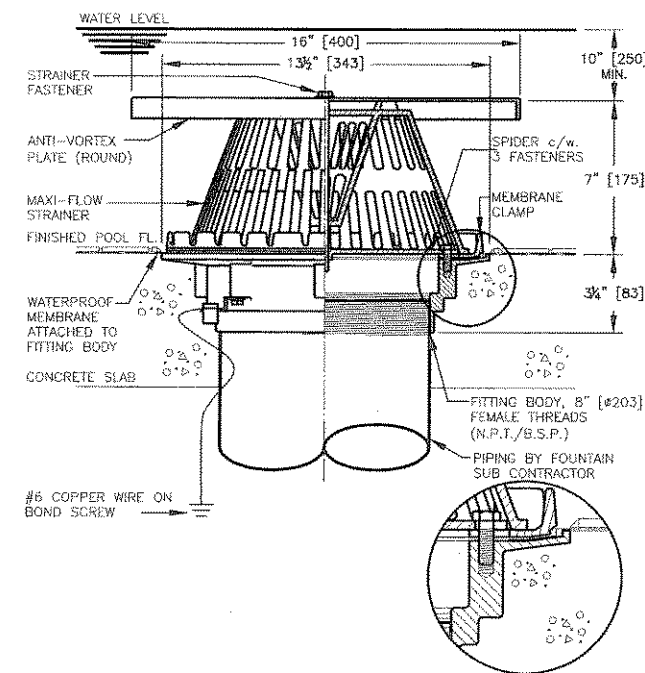
- SUCTION PIPING: BASINS TO EQUIPMENT VAULT
- DISCHARGE PIPING: EQUIPMENT VAULT TO BASINS/FEATURES
- FLOW DIRECTIONS

A LAKE SIDE FEATURE PIPING RISER DIAGRAM
RISER

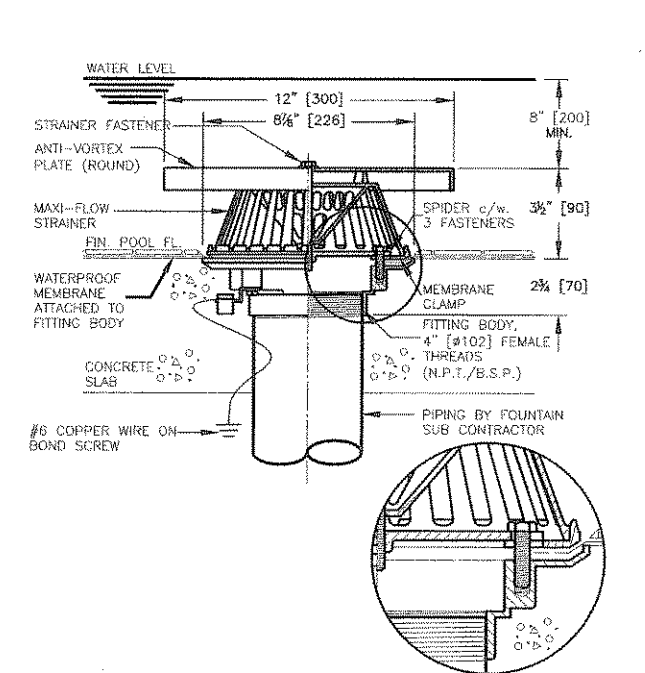
SCALE: NONE



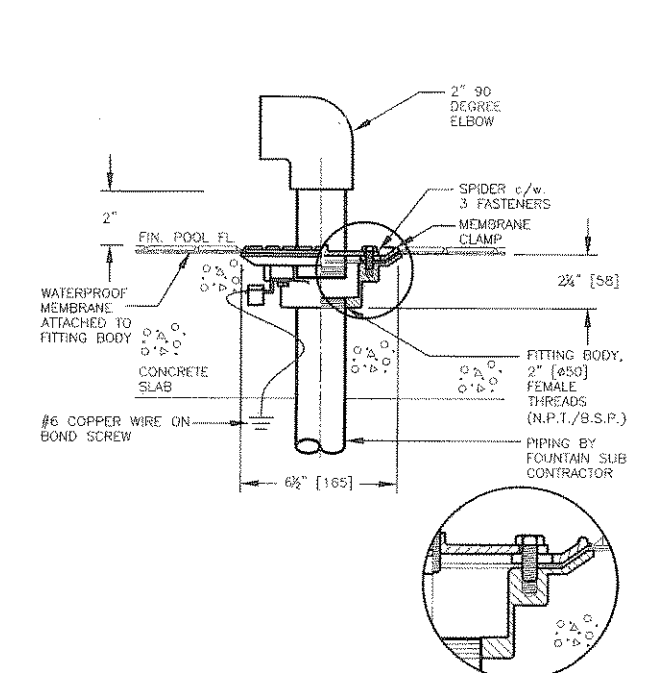
A DSA-600L SUCTION FITTING
 DETAIL SCALE: N.T.S.



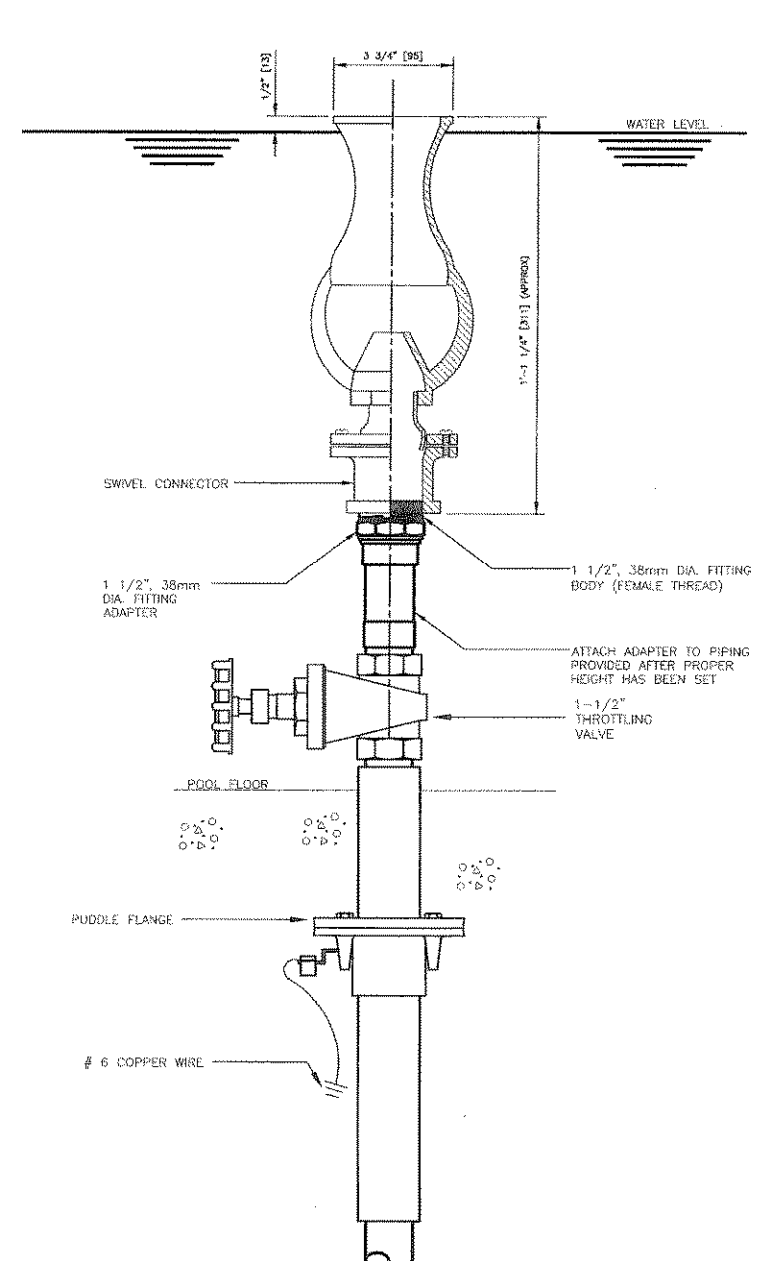
B DSA-800L SUCTION FITTING
 DETAIL SCALE: N.T.S.



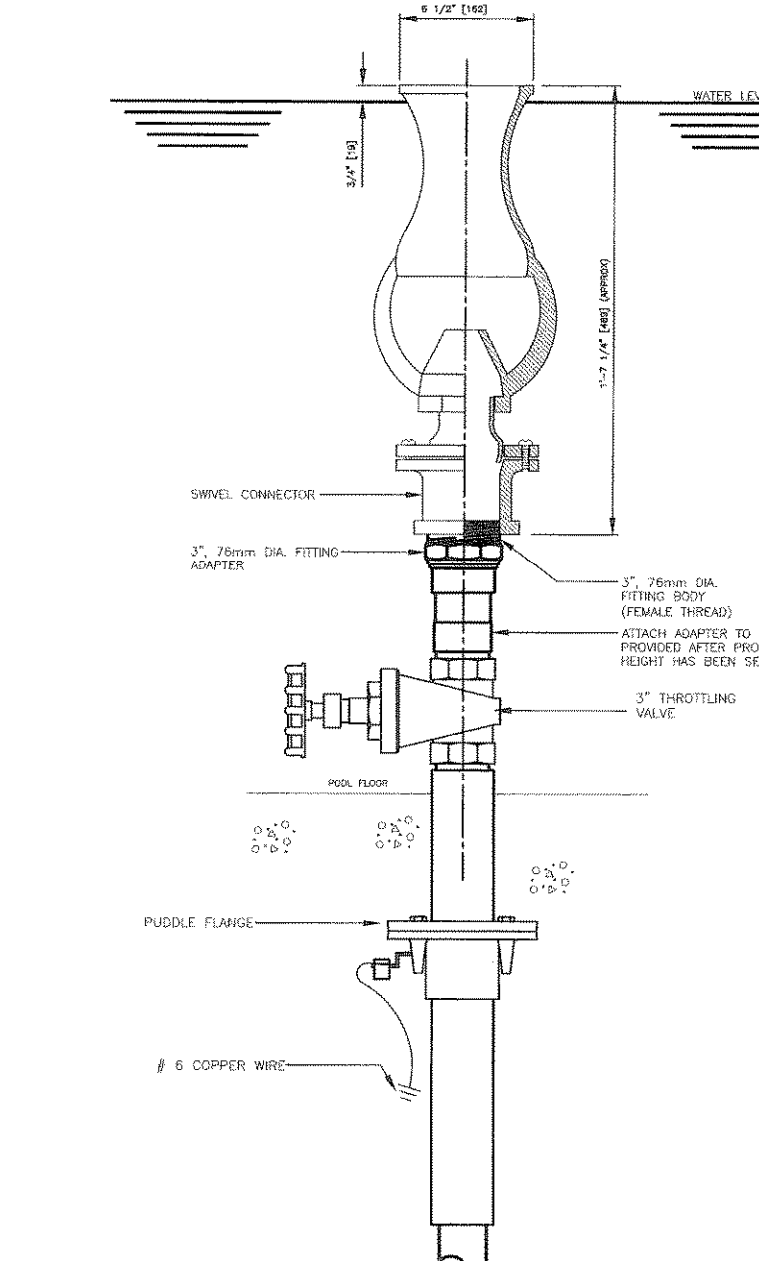
C DSA-400L POOL DRAIN FITTING
 DETAIL SCALE: N.T.S.



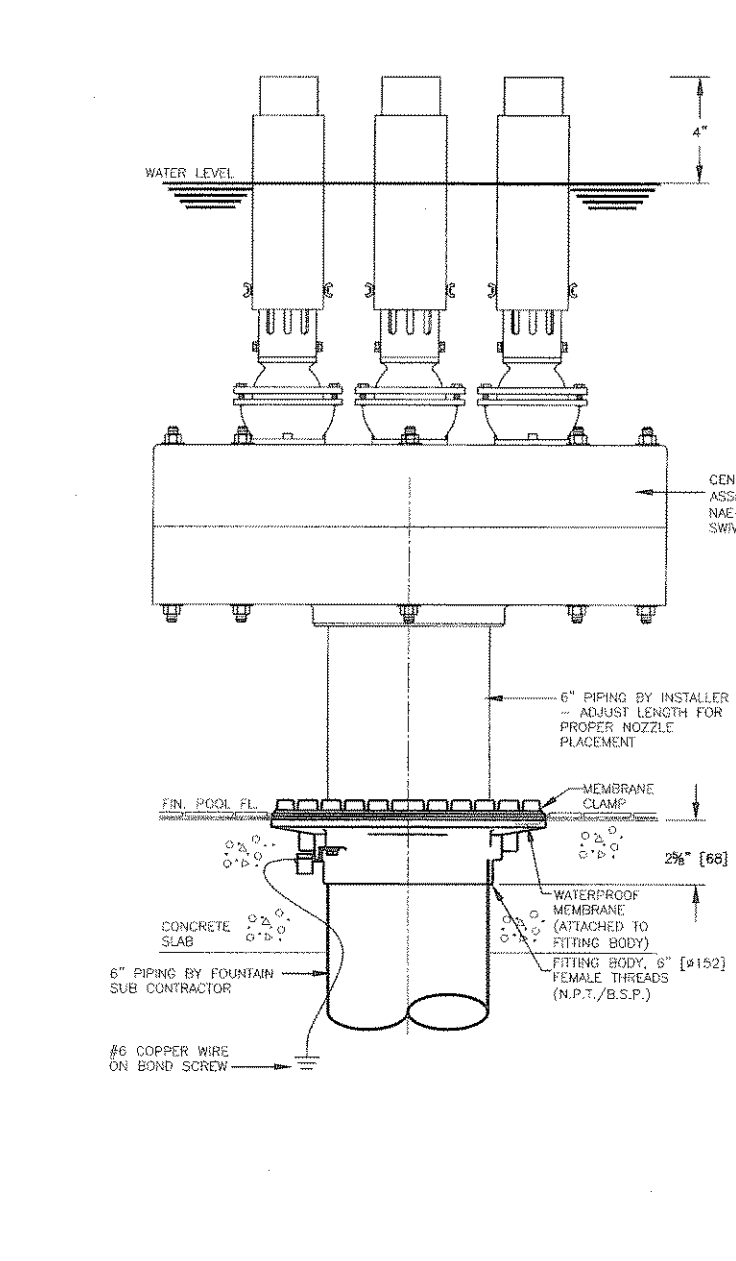
D DTS-200L INLET FITTING
 DETAIL SCALE: N.T.S.



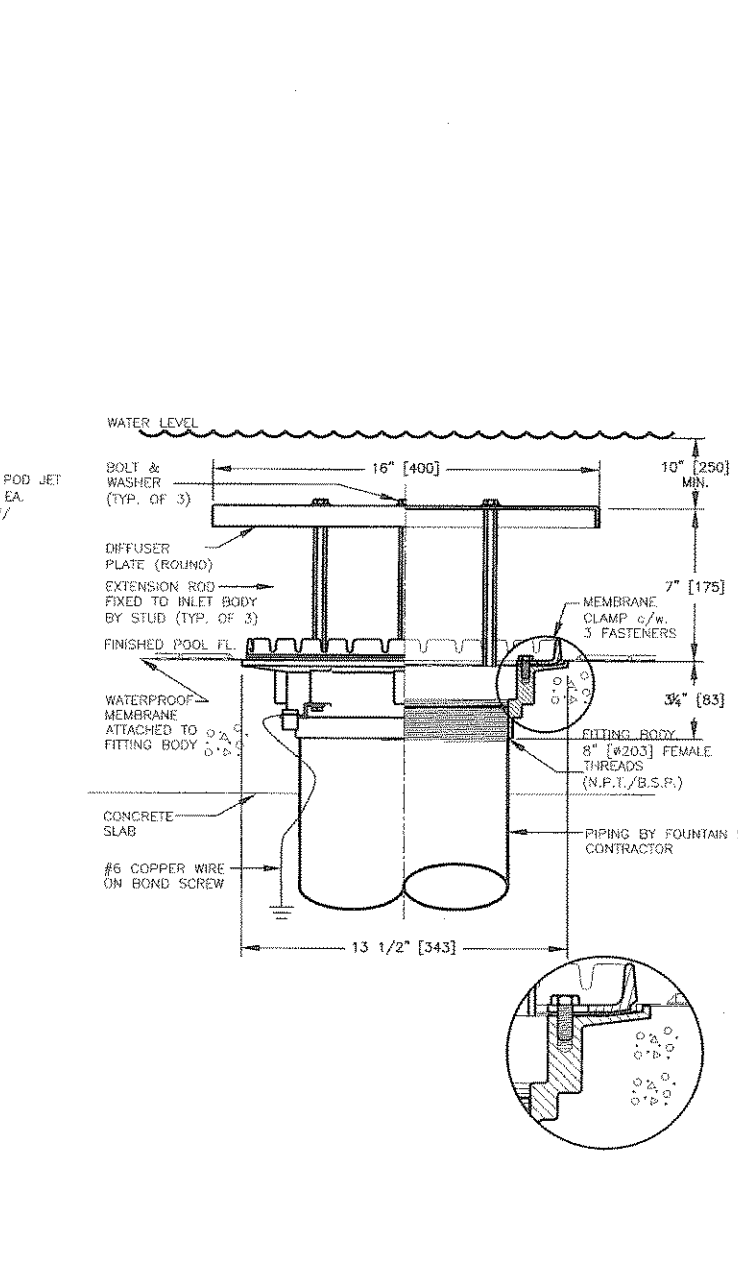
E NCA-150S CASCADE BOWL NOZZLE
 DETAIL SCALE: N.T.S.



F NCA-300S CASCADE BOWL NOZZLE
 DETAIL SCALE: N.T.S.



G CUSTOM BOWL CENTER NOZZLE POD
 DETAIL SCALE: N.T.S.



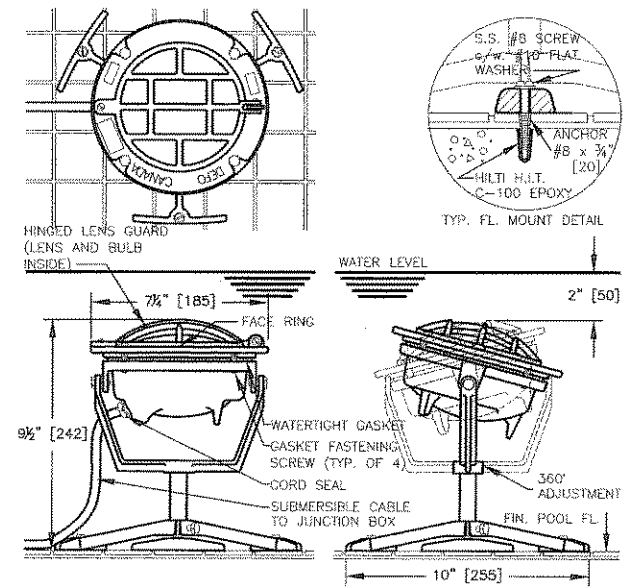
H IFA-800L BOWL WATERFALL INLET FITTING
 DETAIL SCALE: N.T.S.

- NOTES**
- (1) REFER TO FOUNTAIN SPECIFICATION
 - (2) REFER TO INSTALLATION INSTRUCTIONS SHIPPED WITH PRODUCT
 - (3) REFER TO WATERPROOFING MANUFACTURER'S RECOMMENDATIONS TO ATTACH WATERPROOFING TO FITTING BODY AND WATER TEST PROCEDURES
 - (4) PREVENT THREADED HOLES BEING FILLED WITH DEBRIS
 - (5) MATERIALS: BRASS, BRONZE, S.S. FASTENERS, FRP ANTI-VORTEX PLATE
 - (6) DO NOT SCALE DRAWINGS

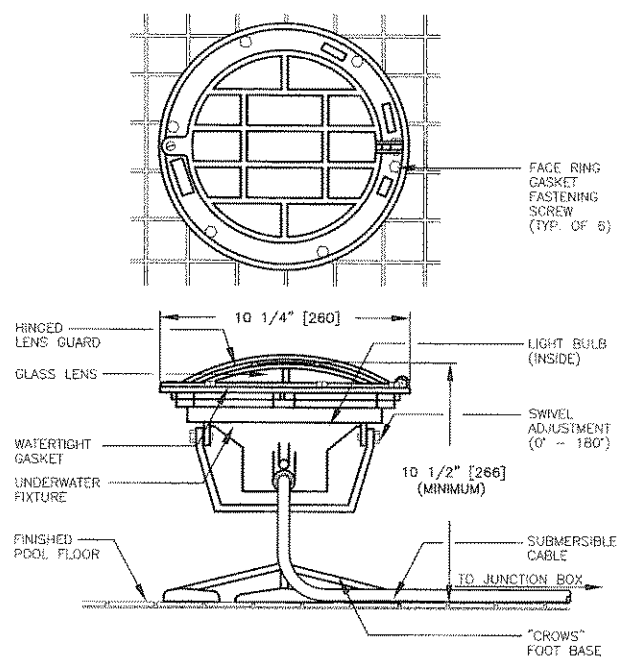
APPROVED FOR
 CONSTRUCTION

DEC 15 2005

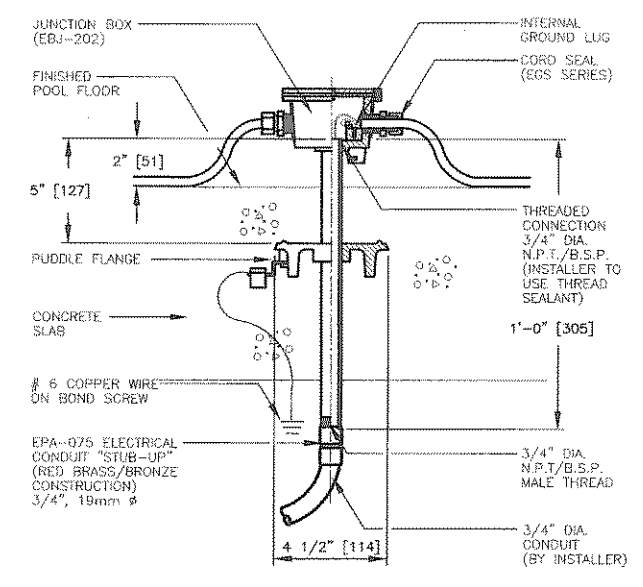
City of Rockwall Engineering Dept
 City Engineer:



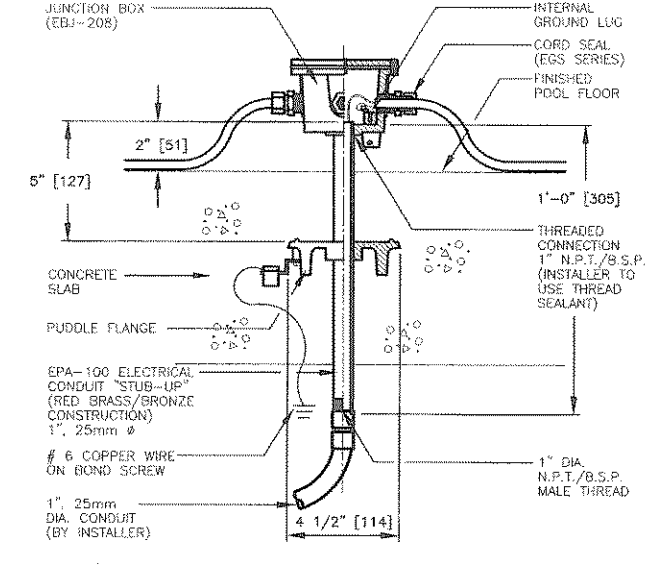
A ELC-020P 250 & 500 WATT LIGHT FIXTURE
DETAIL SCALE: N.T.S.



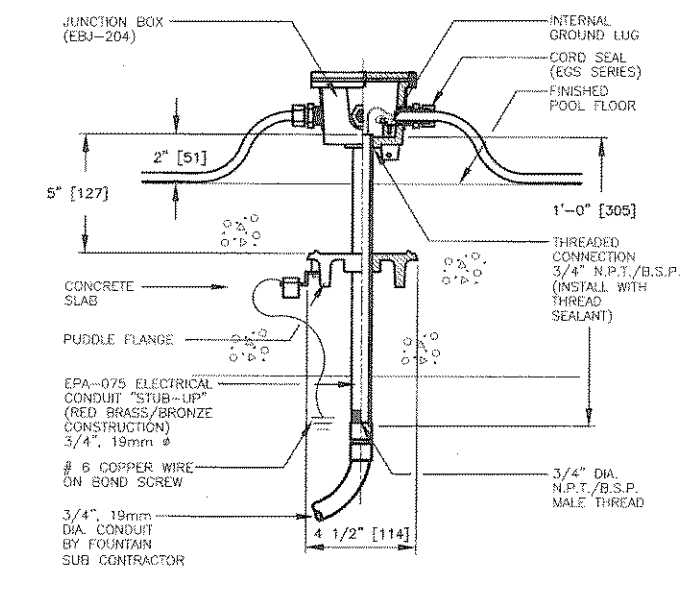
B ELC-050P 500 WATT LIGHT FIXTURE
DETAIL SCALE: N.T.S.



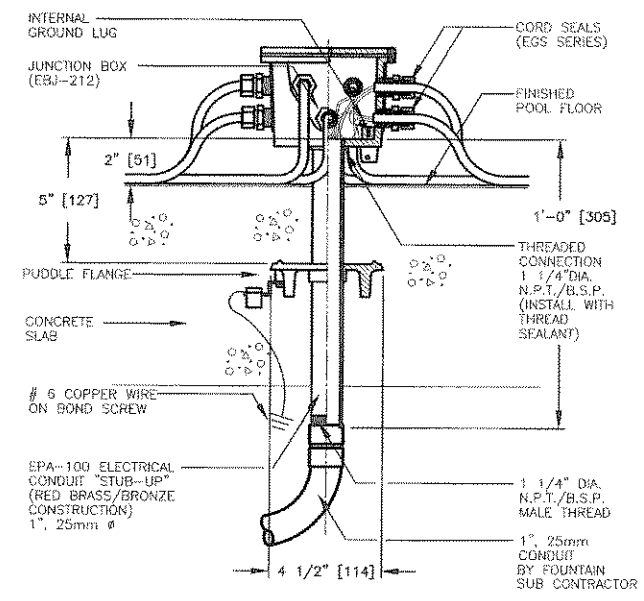
C EBJ-202 UNDERWATER JUNCTION BOX
DETAIL SCALE: N.T.S.



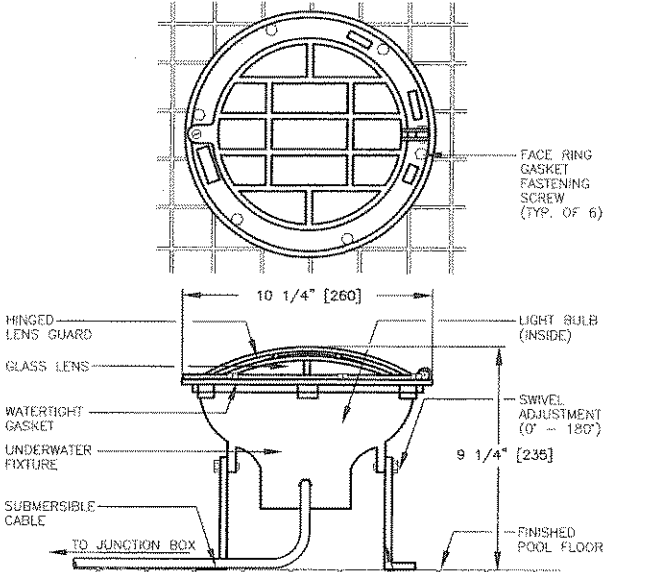
D EBJ-208 UNDERWATER JUNCTION BOX
DETAIL SCALE: N.T.S.



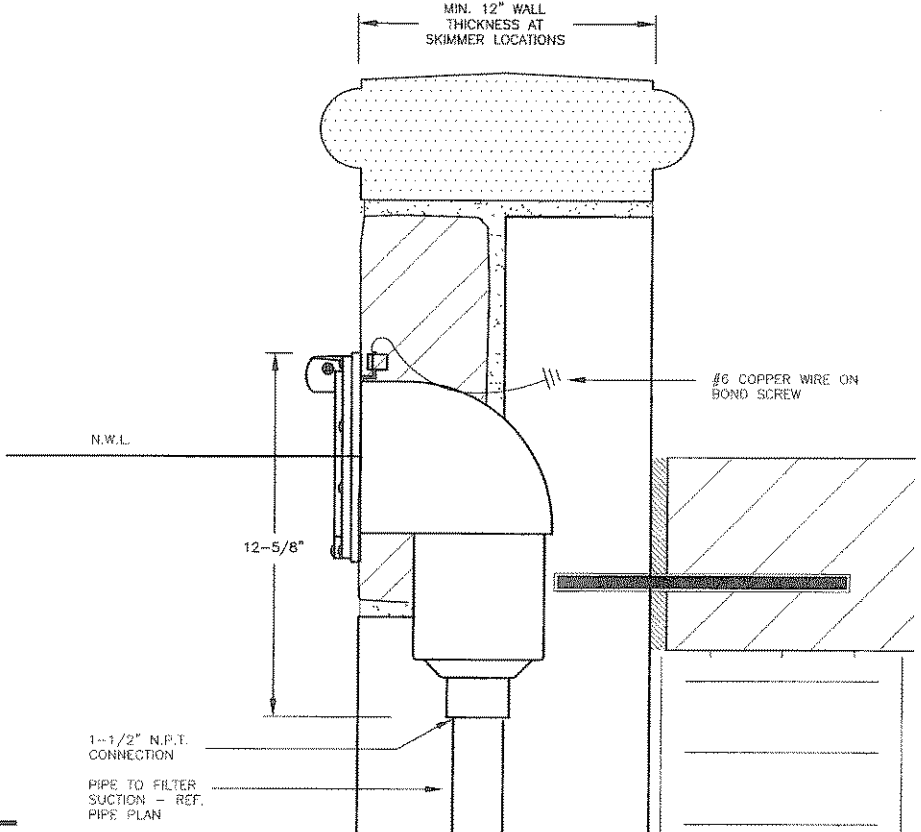
E EBJ-204 UNDERWATER JUNCTION BOX
DETAIL SCALE: N.T.S.



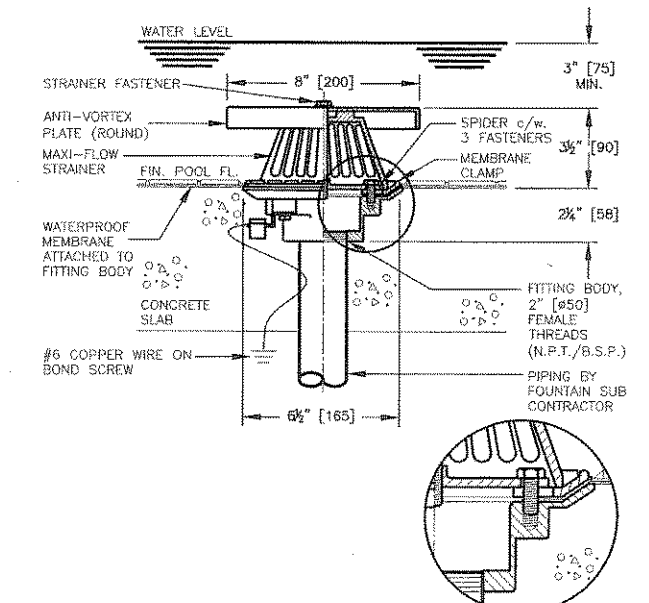
F EBJ-212 UNDERWATER JUNCTION BOX
DETAIL SCALE: N.T.S.



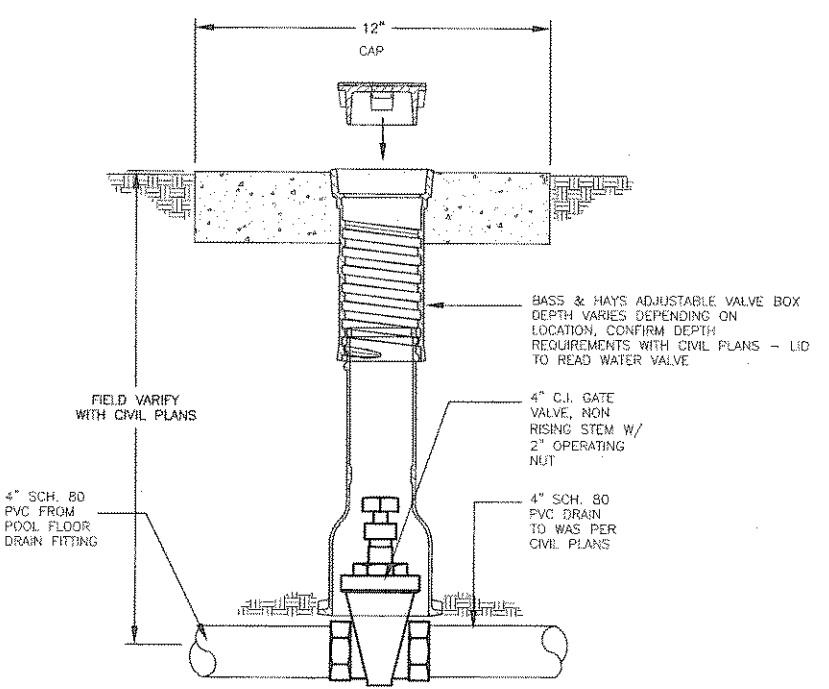
G ELC-100P 1000 WATT LIGHT FIXTURE
DETAIL SCALE: N.T.S.



H AWS-150 WALL SKIMMER
DETAIL SCALE: N.T.S.

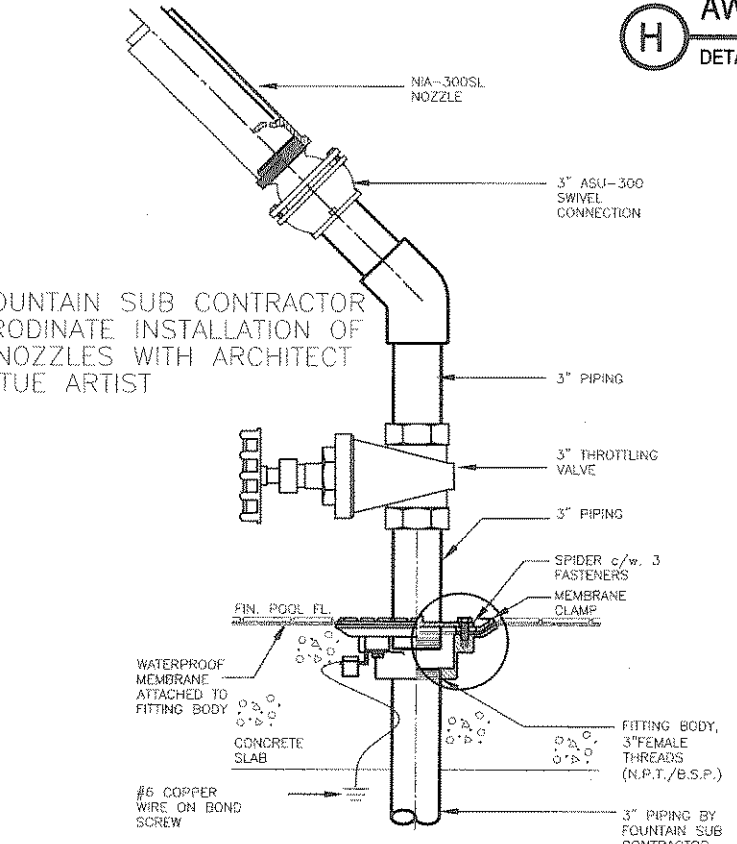


I DSA-200L FILTER SUCTION INLET
DETAIL SCALE: N.T.S.



J 4\"/>

NOTE: FOUNTAIN SUB CONTRACTOR TO COORDINATE INSTALLATION OF STATUE NOZZLES WITH ARCHITECT AND STATUE ARTIST



K NIA-0300L STATUE NOZZLE ASSEMBLY
DETAIL SCALE: N.T.S.

APPROVED FOR CONSTRUCTION

DEC 15 2005

City of Rockwall Engineering Dept.
City Engineer: _____

NOTES

- (1) REFER TO FOUNTAIN SPECIFICATION
- (2) REFER TO INSTALLATION INSTRUCTIONS SHIPPED WITH PRODUCT
- (3) REFER TO WATERPROOFING MANUFACTURER'S RECOMMENDATIONS TO ATTACH WATERPROOFING TO FITTING BODY AND WATER TEST PROCEDURES
- (4) PREVENT THREADED HOLES BEING FILLED WITH DEBRIS
- (5) MATERIALS: BRASS, BRONZE, S.S. FASTENERS, FRP ANTI-VORTEX PLATE
- (6) DO NOT SCALE DRAWINGS

T B

PARTNERS

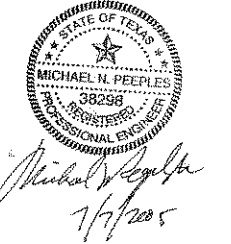
Landscape Architects • Planners
302 North Market, Suite 450
Dallas, Texas 75202
214/744-0757 Fax: 214/744-6785
Austin • Dallas • Houston • McAllen

Project:
City of Rockwall

The Harbor
Phase I
Public Improvements

Rockwall, Texas

Project Number:
D03991



Designed: gpa

Drawn: gdr

Reviewed:

Date Issued:
13 JULY 2005

Revisions:

Sheet Title:

Lake Side Feature -
Component Details

Sheet Number:

LW. 05C

