



Landscape Architects • Planners
 302 North Market, Suite 450
 Dallas, Texas 75202
 214/744-0757 Fax: 214/744-6785
 Austin • Dallas • Houston • McAllen

Project:
City of Rockwall
The Harbor
Phase I
Public Improvements

Rockwall, Texas

Project Number:
D03991

Designed: **tbj**
 Drawn: **sg, bb**
 Reviewed: **jm, kh**
 Date Issued:
13 July 2005

Revisions:

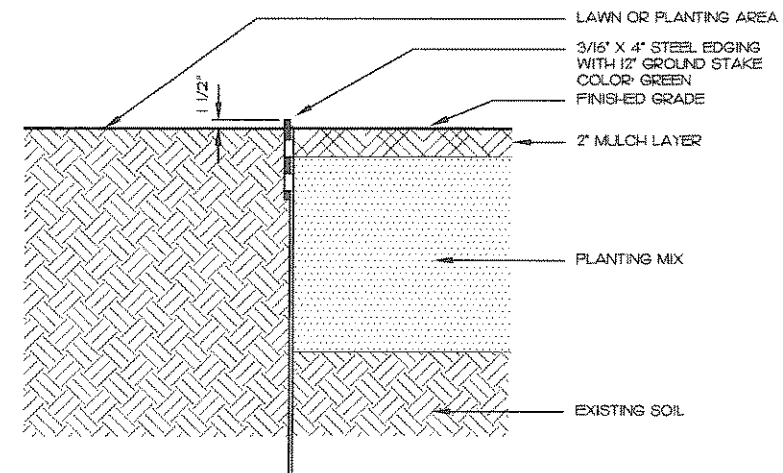
APPROVED FOR CONSTRUCTION

DEC 5 2005

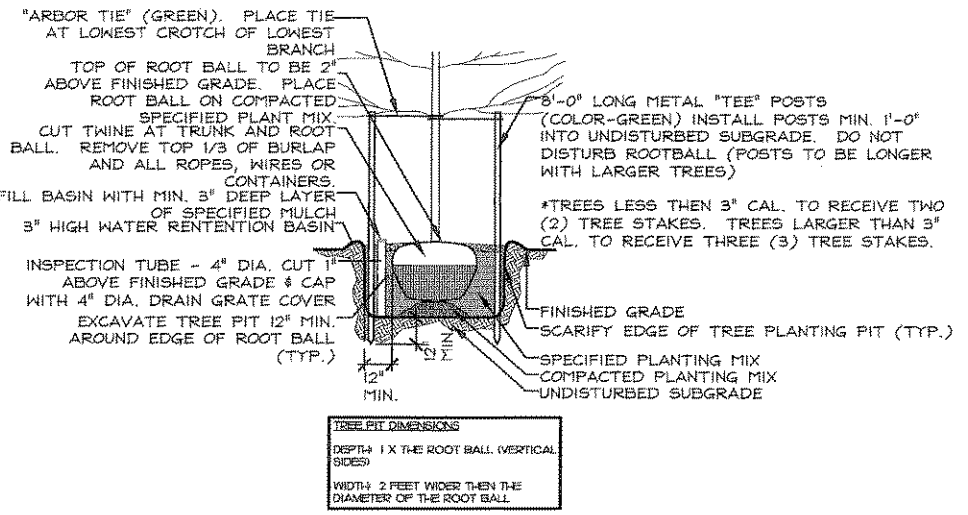
City of Rockwall
 City Engineer:

Sheet Title:
Landscape Planting-Details

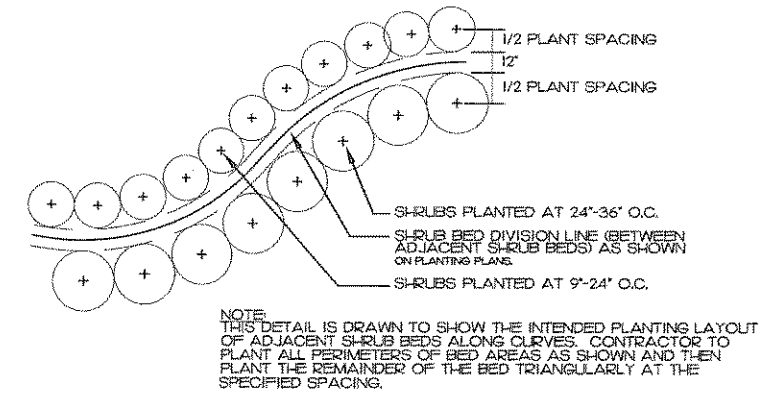
Sheet Number:
LPD.02



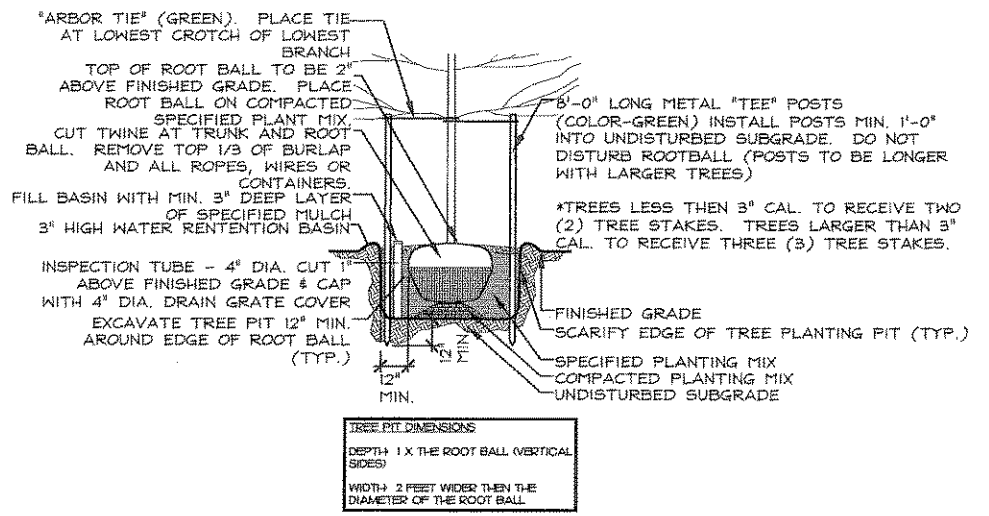
8 TYPICAL STEEL EDGE SECTION SCALE: N.T.S



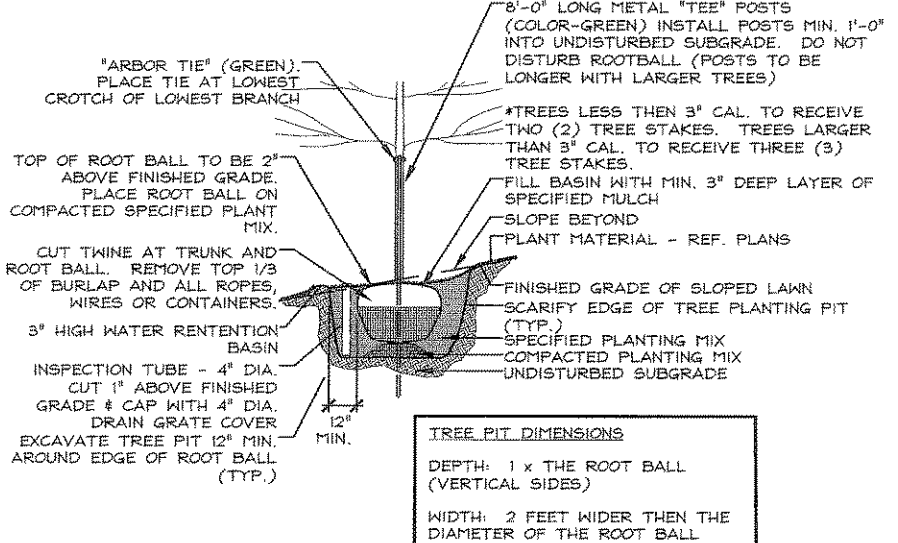
4 TYPICAL TREE PLANTING ELEVATION / SECTION SCALE: N.T.S



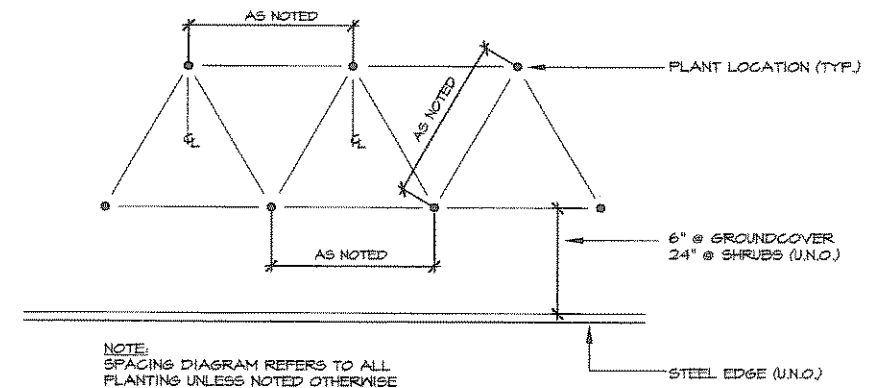
12 TRIANGULAR SPACING SECTION SCALE: N.T.S



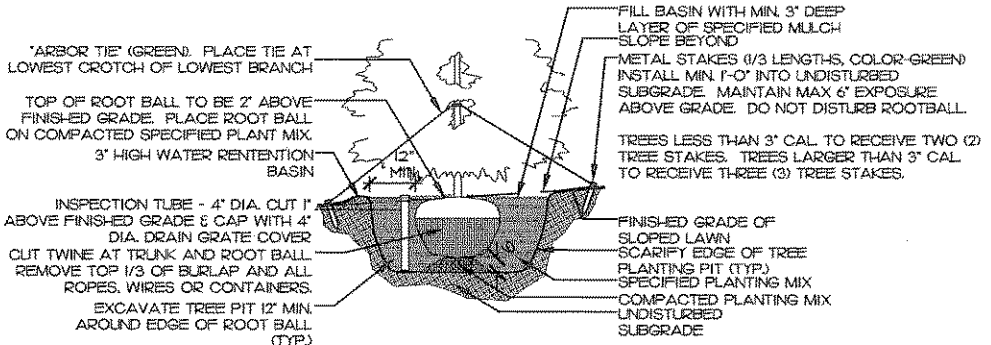
7 TYPICAL MULTI TRUNK TREE PLANTING SECTION SCALE: N.T.S



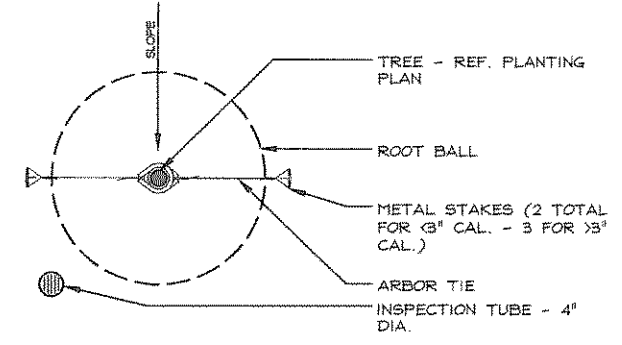
3 TYPICAL TREE PLANTING ON SLOPE SECTION SCALE: N.T.S



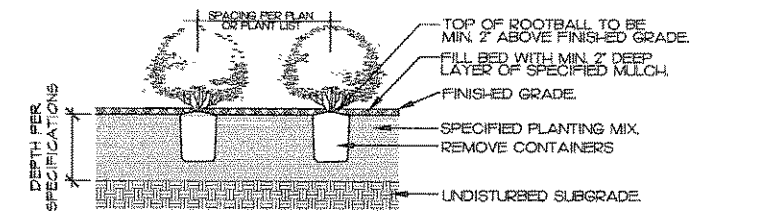
11 SHRUB LAYOUT SECTION SCALE: N.T.S



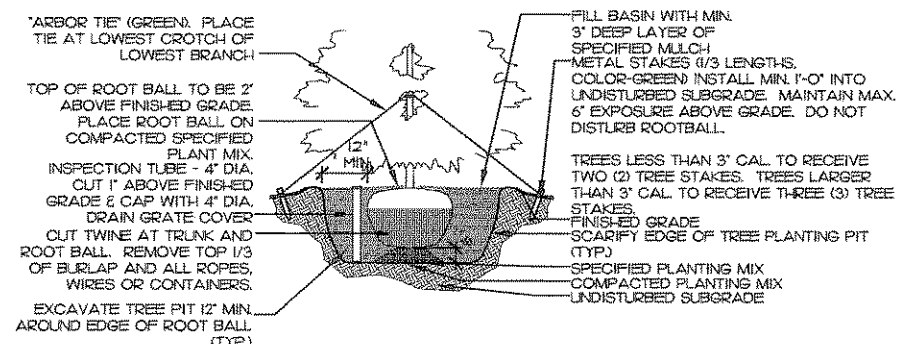
6 EVERGREEN TREE PLANTING ON SLOPE SECTION SCALE: N.T.S



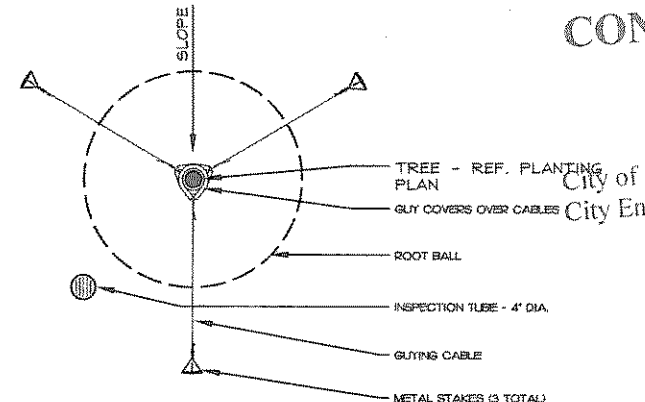
2 TYPICAL TREE PLANTING PLAN SCALE: N.T.S



9 SHRUB / GROUDCOVER PLANTING DETAIL SECTION SCALE: N.T.S



5 EVERGREEN TREE PLANTING SECTION SCALE: N.T.S



1 EVERGREEN TREE PLANTING PLAN SCALE: N.T.S