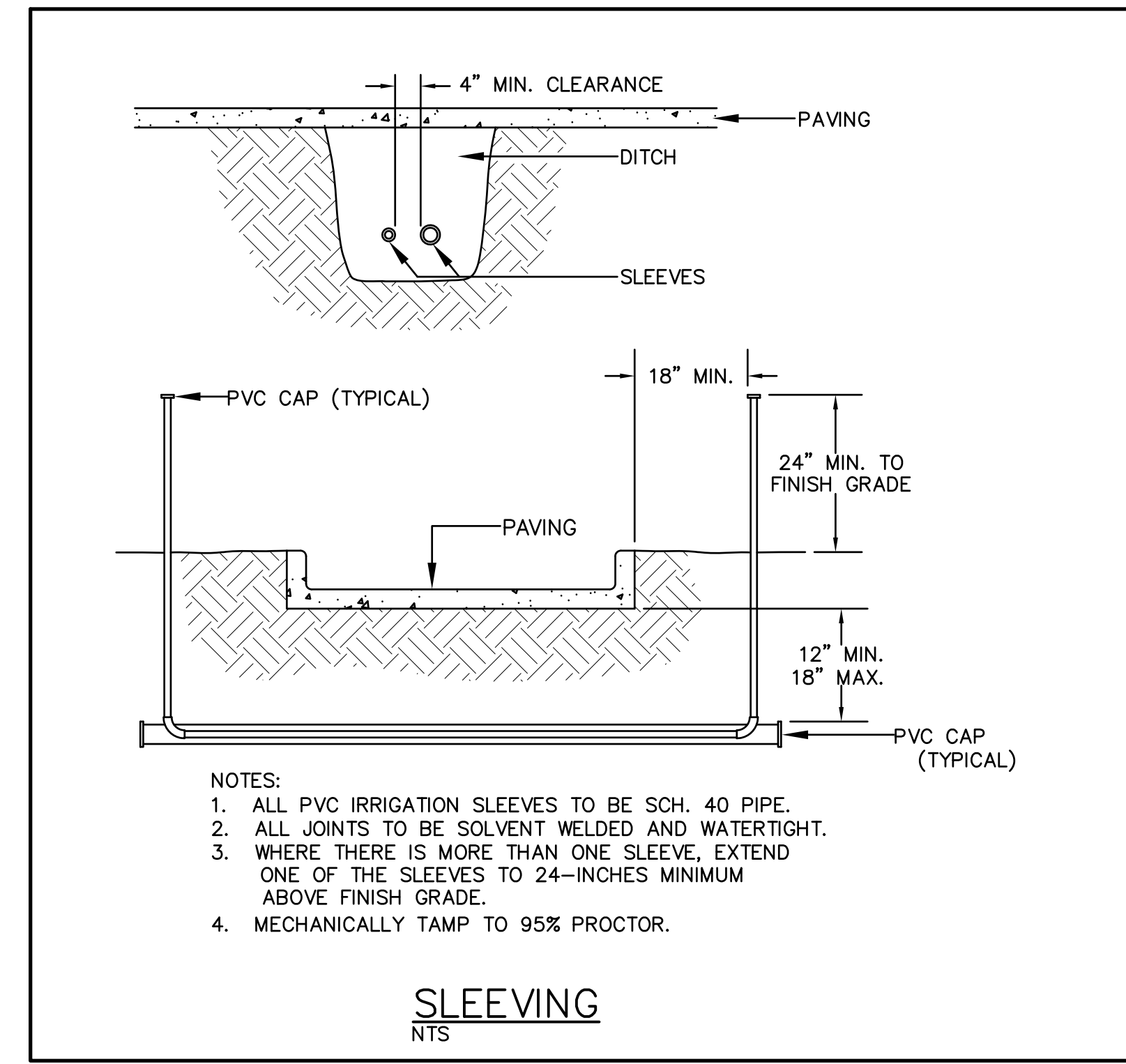


CONCRETE ENCASEMENT DETAIL
NTS



SLEEVING
NTS

- LEGEND
- TWO 4" SCH. 40 SLEEVE PIPES
- ONE 4" SCH. 40 SLEEVE PIPE
- - - ONE 16" SCH. 40 STEEL TRANSFER PIPE (SEE NOTE)

BENCHMARK:
National Geodetic Survey Control, Designation: 0 1498, PID: CS2517,
Monumented in 1986, NAD 83: 32 53 24 (N) / 096 29 22 (W).
3.1 Miles SW from Rockwall, 1.7 Miles southery along State Highway 205 from
its junction with State Highway 66 in Rockwall, Thence 1.45 Miles
southwesterly along Interstate Highway 30, set vertically in the north face of
the most northerly 1 of 3 columns of the first pier east of the west
abutment of the southwest bound highway overpass of Farm Road 740 (exit
67), and 20.7 feet west of the center of the Farm Road. The Mark is 1.4
meters above the Farm Road.
ELEVATION = 445.31 feet (NAVD 88)

SLEEVING PLAN
ROCKWALL WATERFRONT PARK PACKAGE 2
ROCKWALL, TEXAS

BROCKETTE • DAVIS • DRAKE, INC.
consulting engineers
Civil & Structural Engineering • Surveying
4144 North Central Expressway, Suite 1100 • Dallas, Texas 75204
(214) 824-3647 • Fax: (214) 824-7064

RECORD DRAWING

NOTE:
THESE PLANS HAVE BEEN REVISED TO CONFORM
WITH CONSTRUCTION RECORDS PROVIDED BY THE
CONTRACTOR.

DESIGNED	DRAWN	DATE	SCALE	NOTES	FILE	NO.
TNA	BDD	10/2005	1"=30'	BDD	C03360	C5a

M A T C H L I N E S E E S H E E T C 5

NOTE:
1. IT SHALL BE THE CONTRACTOR'S
RESPONSIBILITY TO COORDINATE CONDUIT
LOCATIONS WITH STRUCTURAL DRAWINGS TO AVOID
CONFLICTS WITH PIERS, FOOTINGS, ETC.
2. SEE ELECTRICAL SHEETS FOR ELECTRICAL
CIRCUITS FOR LOCATING ELECTRICAL CONDUIT.

NOTE:
CONTRACTOR SHALL COORDINATE
SLEEVING PENETRATIONS OF
STRUCTURES.

© Copyright 2005 Brockett/Davis/Drake, Inc. All rights reserved.
No part of this drawing may be reproduced or transmitted in any form or by any means
electronic, mechanical, photocopying, recording, or by any information storage and retrieval
system without the express written authorization of Brockett/Davis/Drake, Inc. It is prohibited.