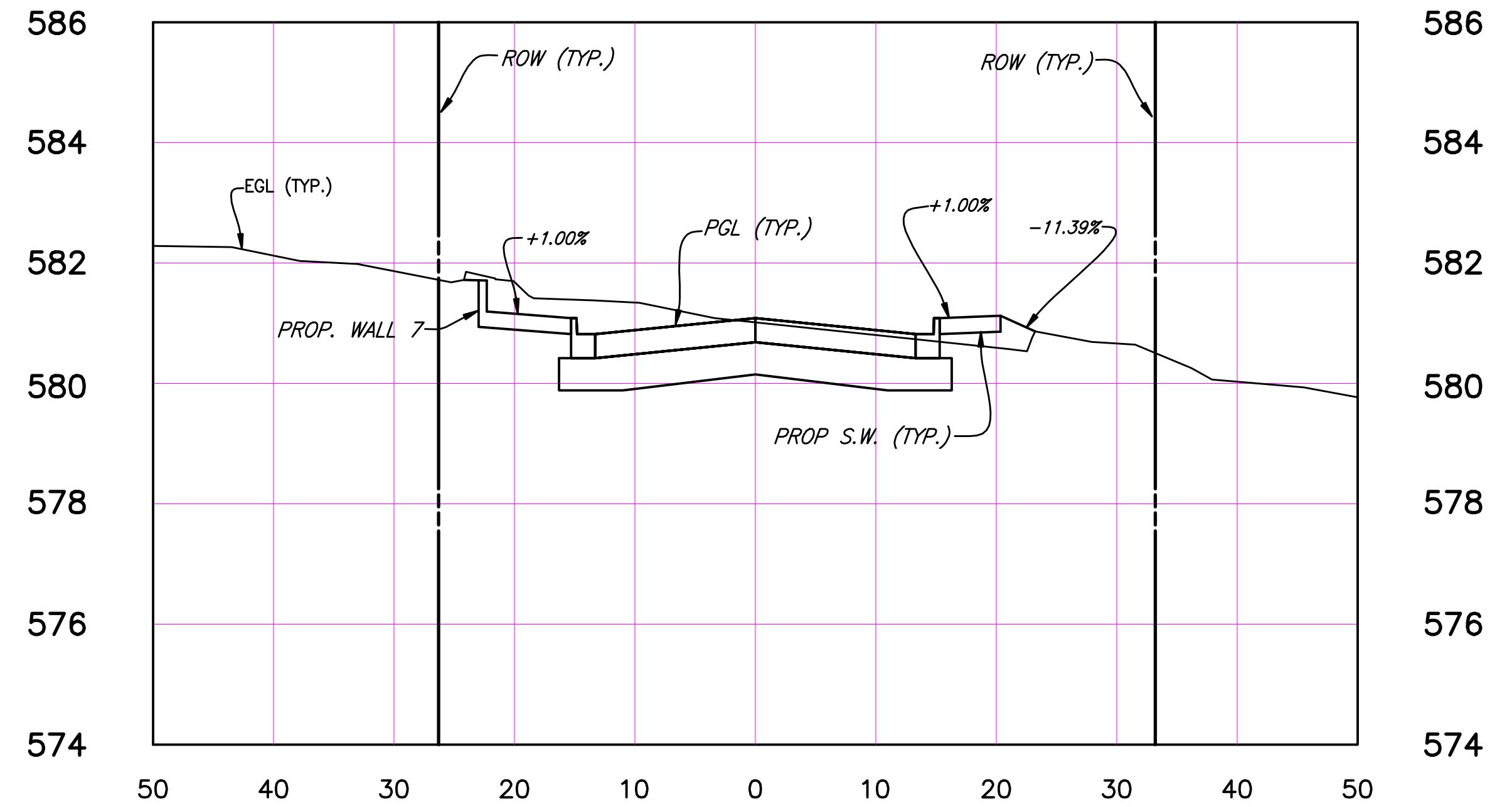
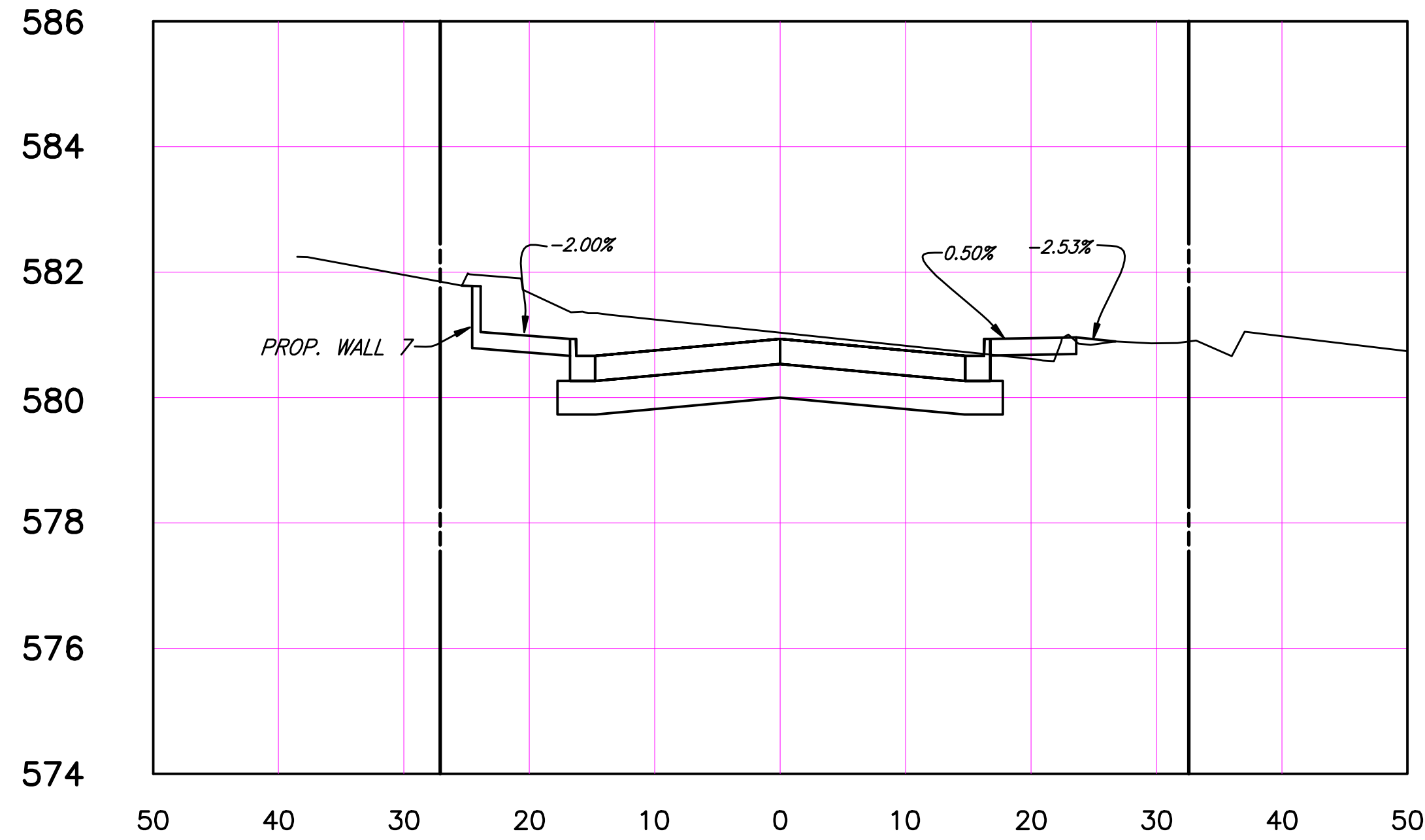


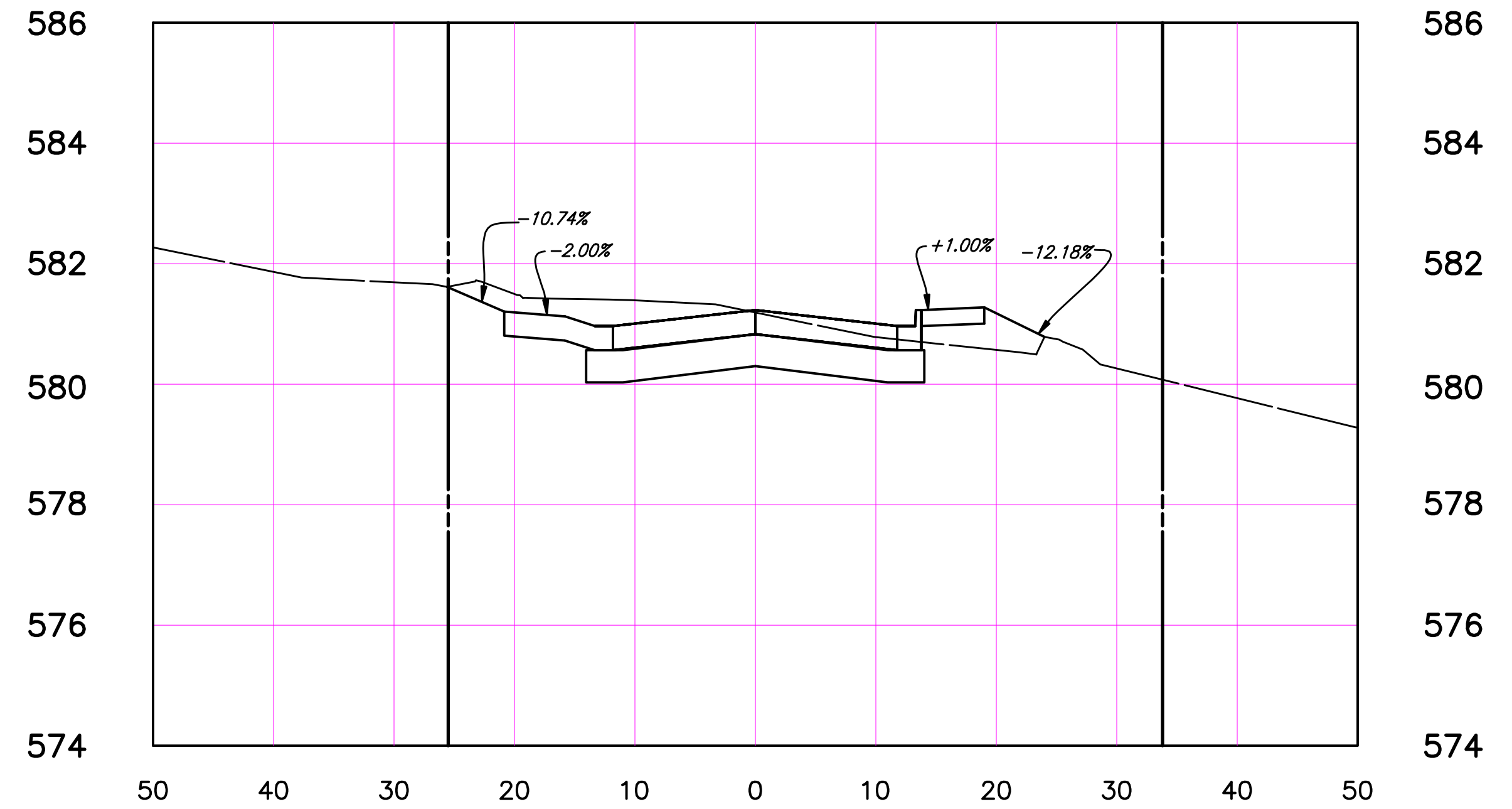
STA. 19+25



STA. 19+75



STA. 19+50



STA. 20+00

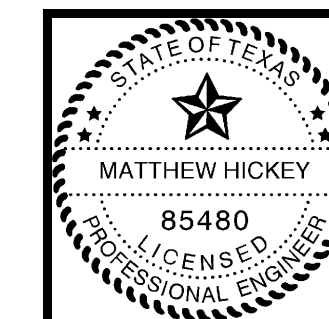
These plans and related specifications were prepared for construction of this specific project only. Reuse of these documents is not permitted without written authorization of Birkhoff, Hendricks, & Conway, L.L.P.

This record drawing is a compilation of the sealed engineering drawing for this project; modified by addenda, change orders and information furnished by the contractor. The information shown on the record drawings that was provided by the contractor or others not associated with the design engineer cannot be verified for accuracy or completeness. This original sealed drawings are on file at the offices of Birkhoff, Hendricks & Conway, L.L.P.

BY MH DATE 4/25/09

THESE DOCUMENTS ARE FOR BIDDING, CONSTRUCTION, AND PERMIT PURPOSES.

DATE: 4/19/09



CITY OF ROCKWALL, TEXAS		
FANNIN STREET IMPROVEMENTS		
CROSS SECTIONS		
BIRKHOFF, HENDRICKS & CONWAY, L.L.P. CONSULTING ENGINEERS Dallas, Texas		
PROJECT ENGINEER: <u>M.H.</u>	PROJECT: <u>2005111</u>	SHEET NO. <u>94</u>
PROJECT TECHNICIAN: <u>K.A.B.</u>	DATE: <u>June, 2006</u>	