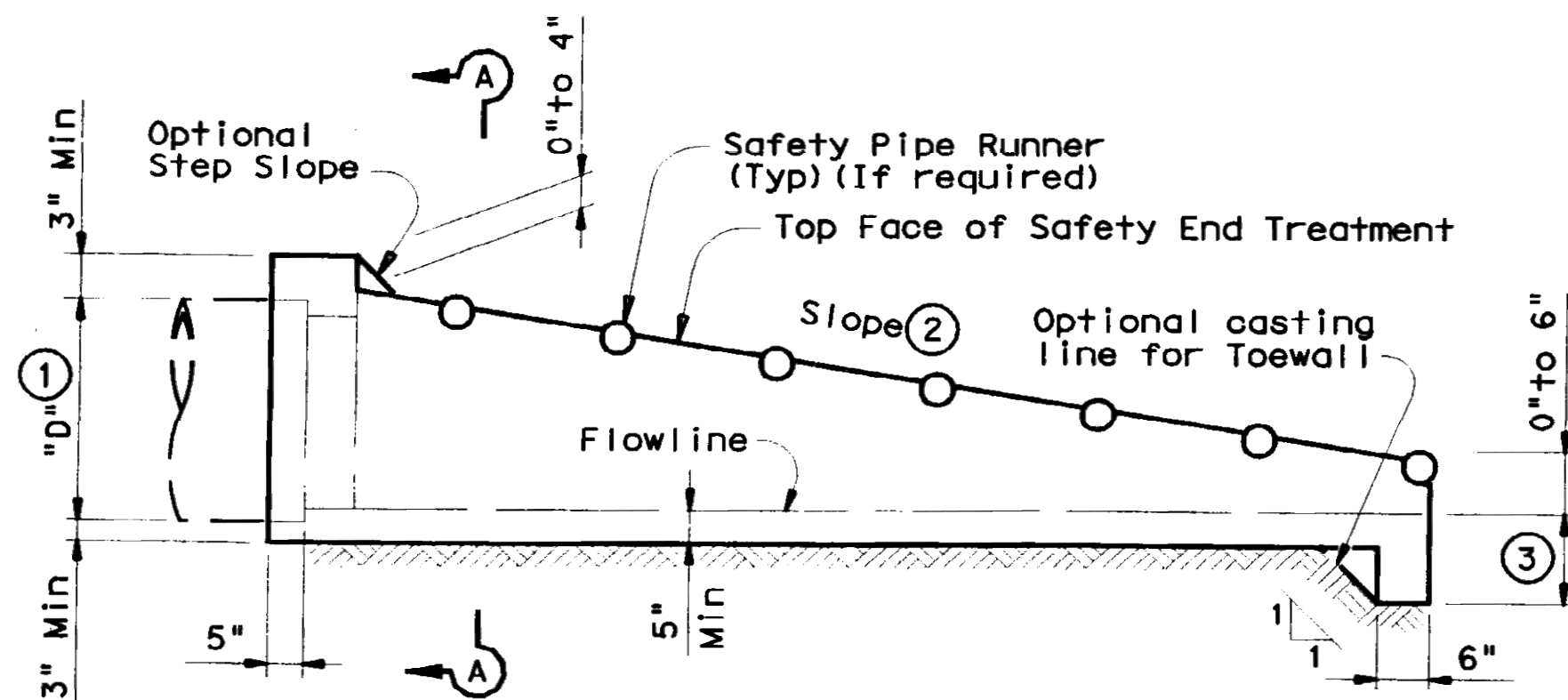
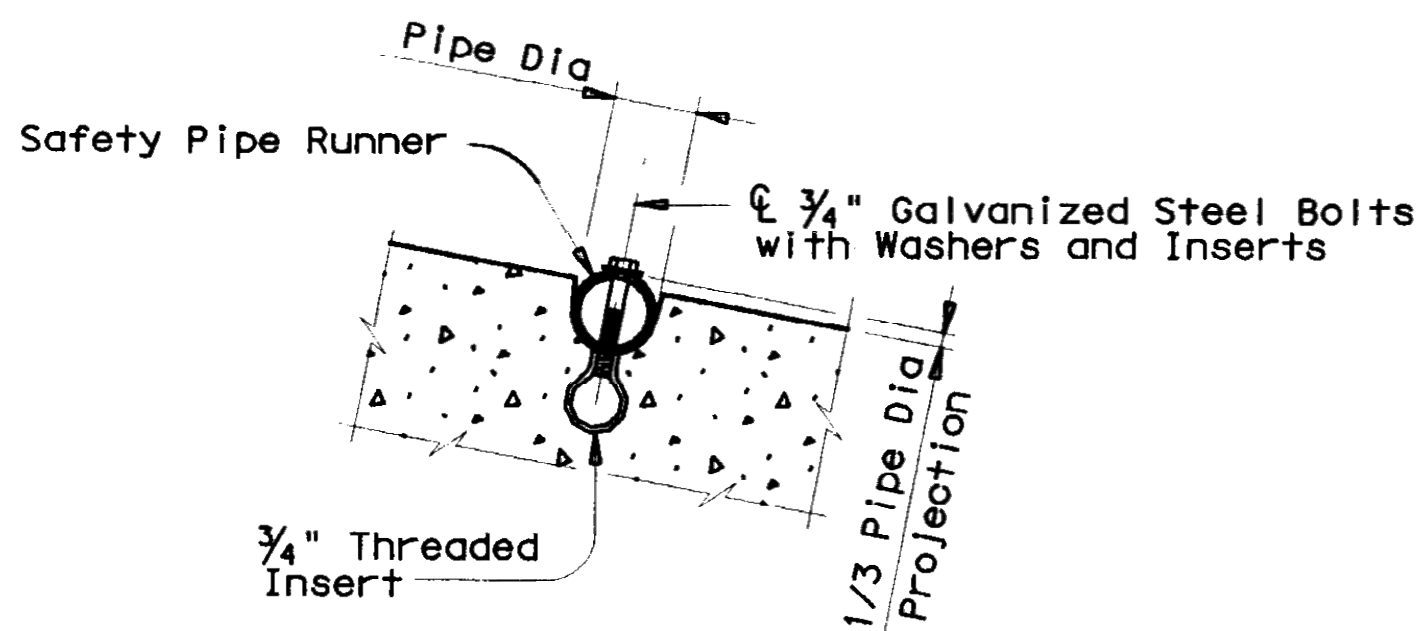


PLAN

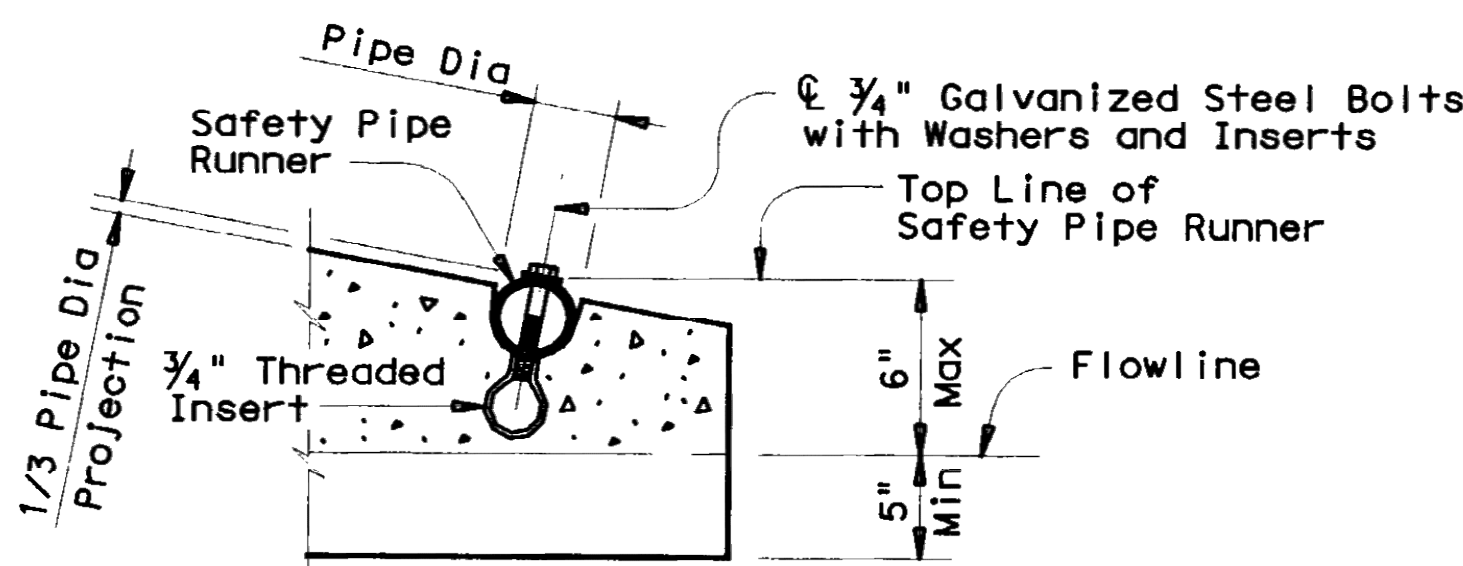


LONGITUDINAL ELEVATION

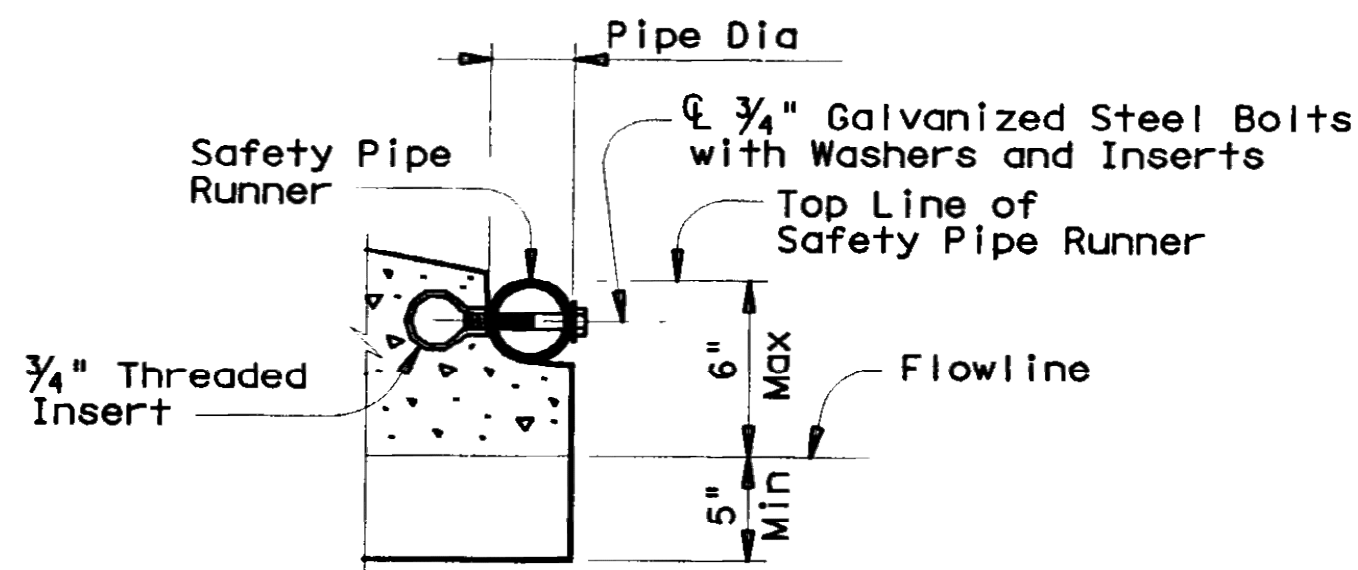


INSTALLATION DETAIL FOR SAFETY PIPE RUNNERS

(If required)



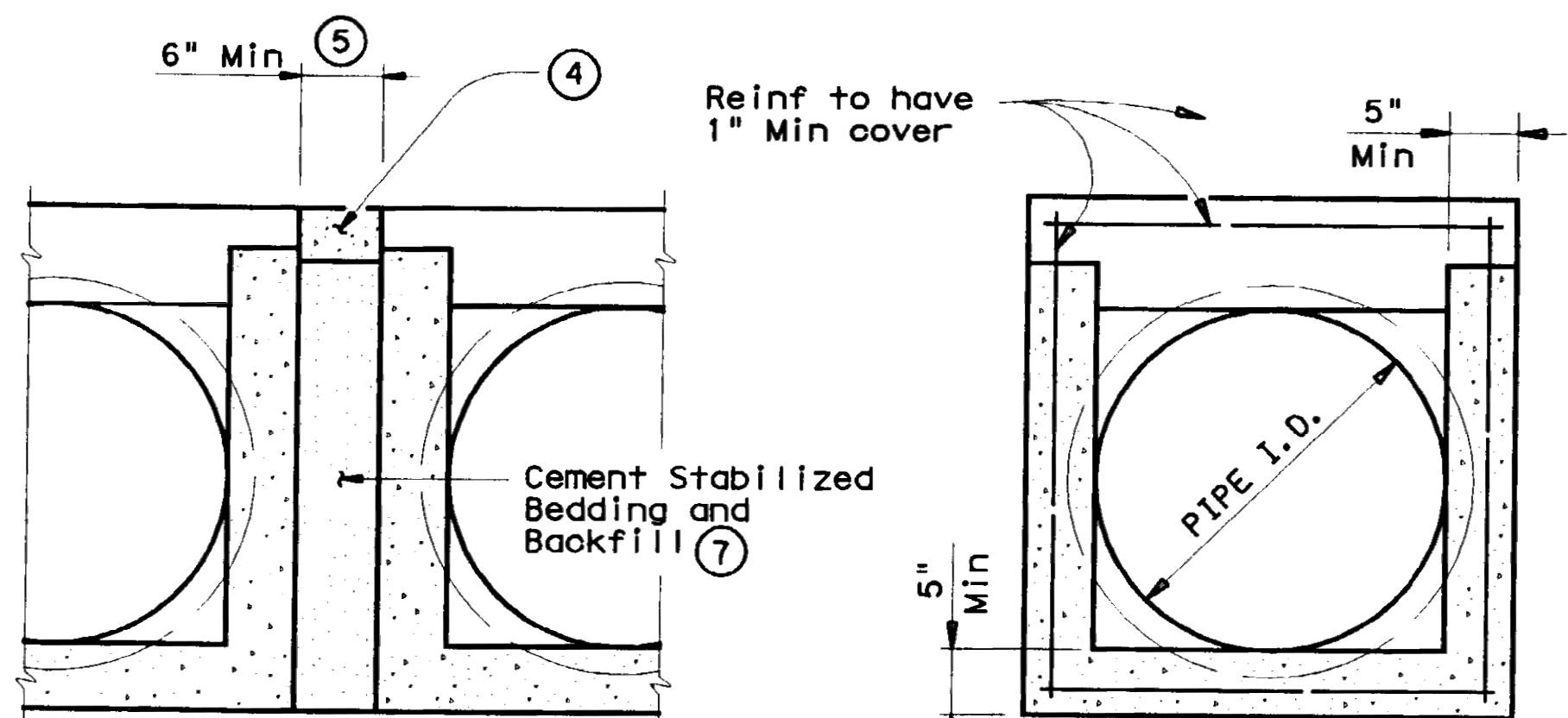
OPTION A



OPTION B

END DETAILS FOR INSTALLATION OF SAFETY PIPE RUNNERS

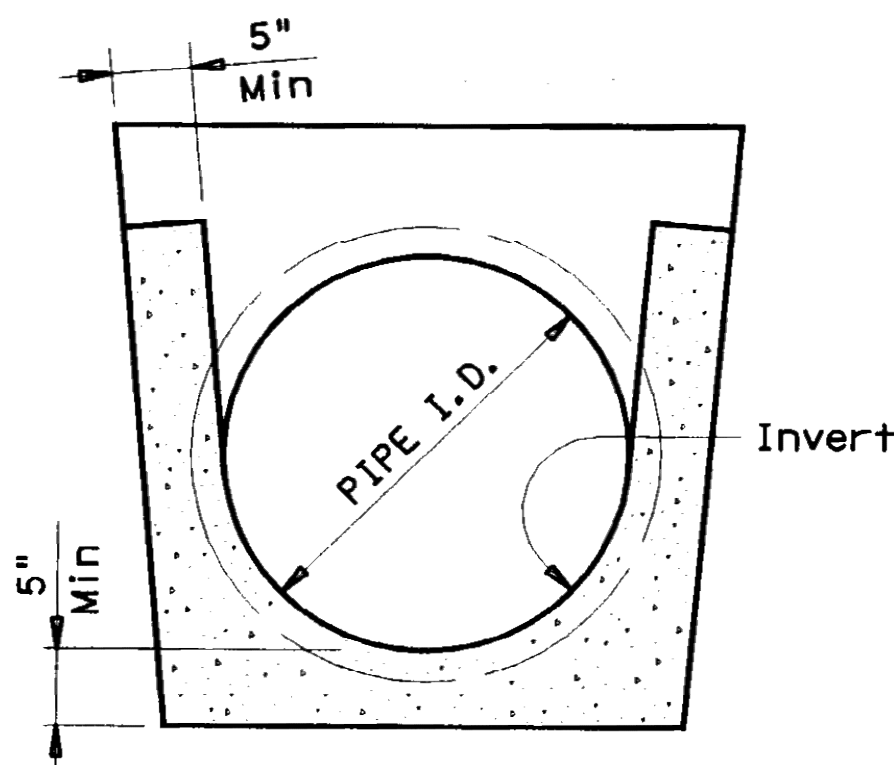
(If required)



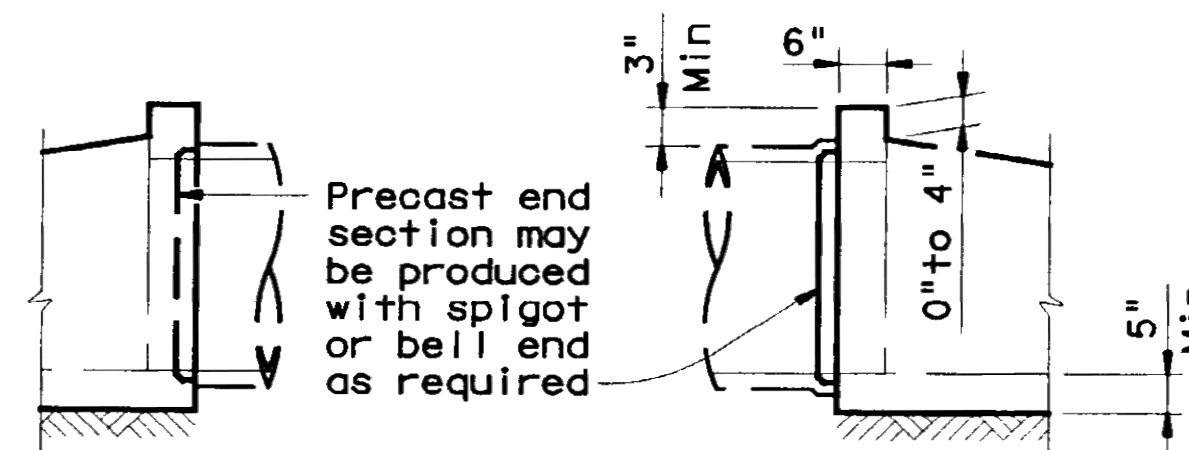
MULTIPLE PIPE INSTALLATION

OPTION WITH SQUARE BOTTOM

SECTION A-A



OPTION WITH INVERT BOTTOM



OPTIONAL JOINT

(Showing joint between RCP and Precast Safety End Treatment)

PIPE I. D.	PIPE WALL "B" THICKNESS	"D" ①	MAXIMUM SLOPE	MINIMUM LENGTH OF UNIT	PIPE RUNNERS REQUIRED		REQUIRED PIPE RUNNER SIZES		
					SINGLE PIPE	MULTIPLE PIPE	NOMINAL DIA.	O. D.	I. D.
12"	2"	17"	6:1	4'-9"	No	Yes, for >2 pipes	3" STD	3.500"	3.068"
15"	2 1/4"	20 1/2"	6:1	6'-5"	No	Yes, for >2 pipes	3" STD	3.500"	3.068"
18"	2 1/2"	24"	6:1	8'-0"	No	Yes, for >2 pipes	3" STD	3.500"	3.068"
24"	3"	31"	6:1	11'-3"	No	Yes, for >2 pipes	3" STD	3.500"	3.068"
30"	3 1/2"	38 1/2"	6:1	14'-8"	No	Yes	4" STD	4.500"	4.026"
36"	4"	45 1/2"	6:1	17'-11"	Yes	Yes	4" STD	4.500"	4.026"
42"	4 1/2"	52 1/2"	6:1	21'-2"	Yes	Yes	4" STD	4.500"	4.026"

- ① Dimension "D" is based on ASTM C-76, Class III, Wall "B" thickness. If any other wall thickness is used, dimension "D" must be adjusted accordingly.
- ② Slope as shown elsewhere in the plans. Slope of 6:1 or flatter is required for vehicle safety.
- ③ Toewall to be used only when dimension is shown elsewhere in the plans.
- ④ The top 4" of void between Precast End Treatments shall be filled with concrete Riprap and shall be considered subsidiary to Safety End Treatment.
- ⑤ Clear distance between pipes shall be adjusted to provide for the minimum distance between safety end treatments.
- ⑥ Cement stabilized bedding and backfill shall be in accordance with the Item, "Excavation and Backfill for Structures". Bedding and backfill shall be considered subsidiary to the Item "Safety End Treatment". When concrete riprap is specified around the safety end treatment, backfill shall be as directed by Engineer.

GENERAL NOTES:

Precast safety end treatment for reinforced concrete pipe may be used for TYPE II end treatment as specified in Item "Safety End Treatment". When Precast Safety End Treatment is used as a Contractor's alternate to mitered RCP, Riprap will not be required unless noted otherwise on the plans.

Manufacture of this product shall conform to requirements of Item "Safety End Treatment" except as noted below:

- Minimum reinforcing shall be #4 at 6" (Grade 40) or #4 at 9" (Grade 60) each way or 6 x 6 - W12 x W12 or 5 x 5 - W10 x W10 welded wire fabric.
- Concrete for precast (steel formed) sections shall be Class "C" with a minimum compressive strength of 3600 psi.

At the option and expense of the Contractor the next larger size of Safety End Treatment may be furnished; as long as the "D" dimension cast is that of the required size of pipe.

Pipe Runners are designed for a traversing load of 10,000 Lbs at yield as recommended by Research Report 280-2F, "Safety Treatment of Roadside Parallel-Drainage Structures", Texas Transportation Institute, March 1981.

Pipe Runners shall conform to the requirements of ASTM A53 (Type E or S, Grade B), ASTM A500 (Grade B), or API 5LX52.

All steel components except reinforcing, shall be galvanized after fabrication. Galvanizing damaged during transport or construction shall be repaired in accordance with the specifications.

Texas Department of Transportation
Bridge Division

PRECAST SAFETY END TREATMENT
TYPE II ~ PARALLEL DRAINAGE

PSET-SP

FILE: psetspse.dgn	DN: RLW	CK: KLR	DW: JTR	CK: GAF
© TXDOT December 2003	DISTRICT	FEDERAL AID PROJECT		SHEET
REVISIONS	COUNTY	CONTROL	SECT	JOB
				167
				HIGHWAY

These plans and related specifications were prepared for construction of this specific project only. Reuse of these documents is not permitted without written authorization of Birkhoff, Herndicks, & Conroy, LLP.