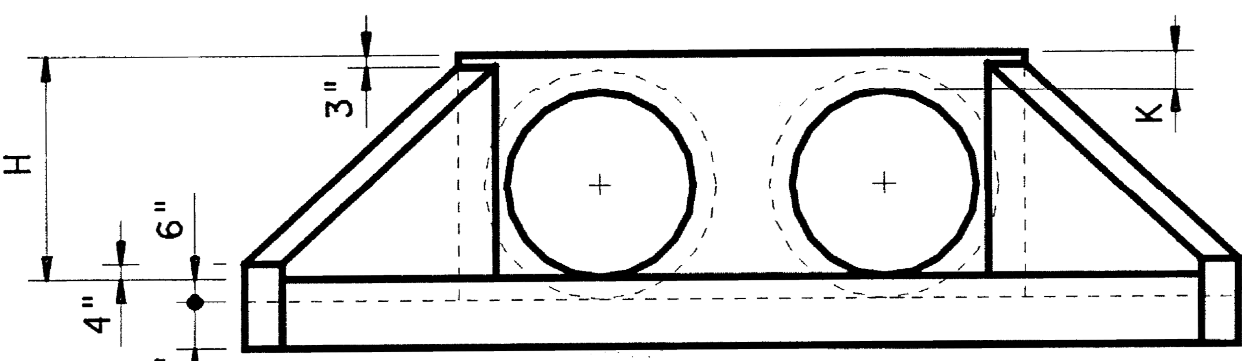


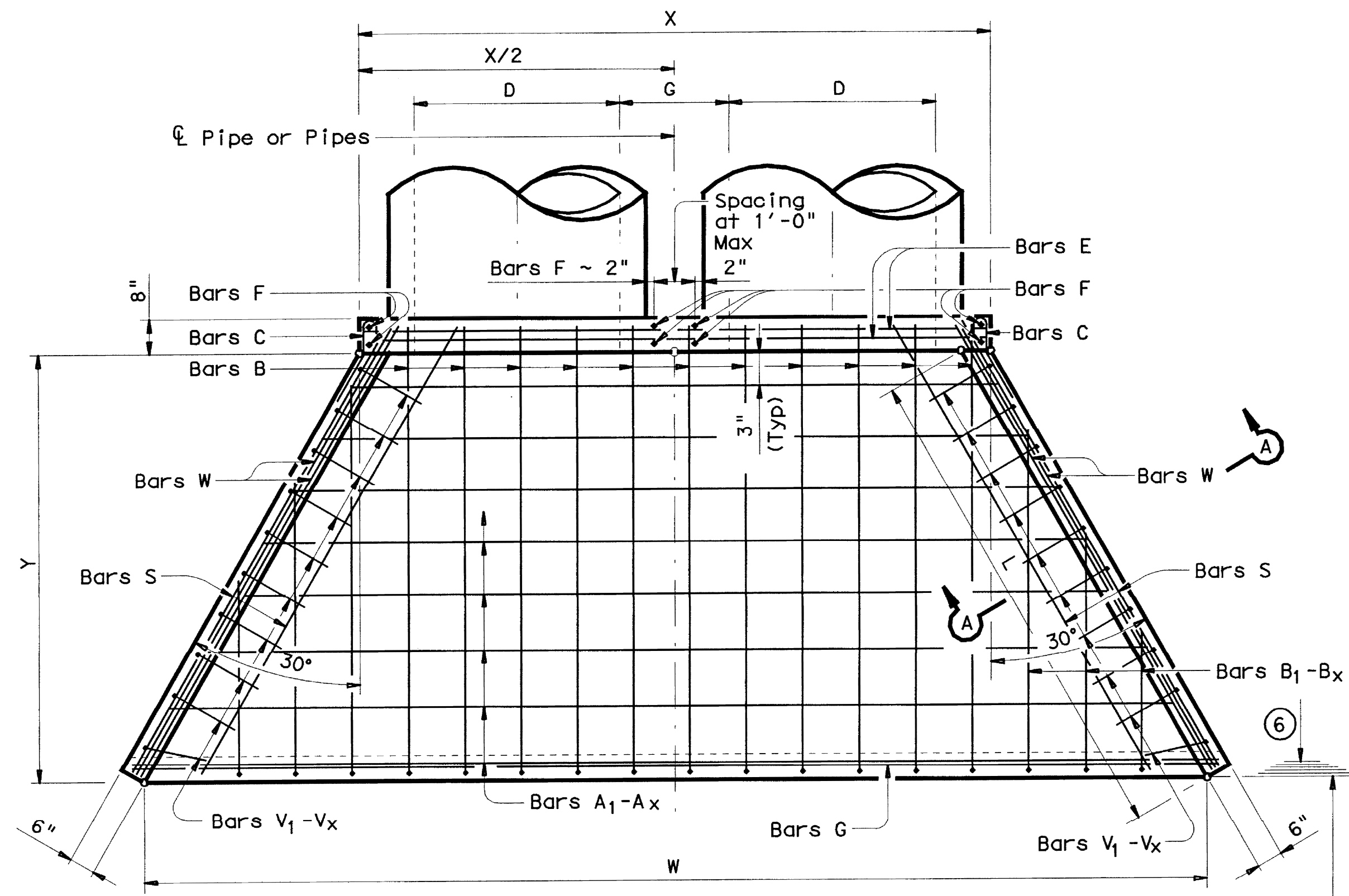
TABLE OF VARIABLE DIMENSIONS AND QUANTITIES FOR ONE HEADWALL (4)

SLOPE	DIA OF PIPE, D	Values for one Pipe						Values to be added for each add'l Pipe			
		W	X	Y	L	Reinf (Lbs)	Conc (CY)	X and W	Reinf (Lbs)	Conc (CY)	
2:1	12"	4'-7 1/2"	2'-6"	2'-10"	3'-3 1/4"	84	0.6	1'-9"	20	0.2	
	15"	5'-5 3/4"	2'-9 1/2"	3'-4"	3'-10 1/4"	99	0.7	2'-2"	24	0.3	
	18"	6'-4 1/4"	3'-1"	3'-10"	4'-5"	120	0.9	2'-8"	32	0.3	
	21"	7'-2 3/4"	3'-4 1/2"	4'-4"	5'-0"	137	1.1	3'-1"	43	0.4	
	24"	8'-2 1/2"	3'-9 1/2"	4'-10"	5'-7"	158	1.3	3'-7"	50	0.5	
	27"	9'-1"	4'-1"	5'-4"	6'-2"	173	1.5	3'-11"	56	0.6	
	30"	9'-11 1/2"	4'-4 1/2"	5'-10"	6'-8 3/4"	197	1.7	4'-4"	65	0.8	
	33"	10'-10"	4'-8"	6'-4"	7'-3 3/4"	216	2.0	4'-8"	71	0.9	
	36"	11'-8 1/4"	4'-11 1/2"	6'-10"	7'-10 3/4"	241	2.2	5'-1"	81	1.0	
	42"	13'-5 1/4"	5'-6 1/2"	7'-10"	9'-0 1/2"	290	2.8	5'-10"	97	1.3	
	48"	15'-9"	6'-1 1/2"	9'-4"	10'-9 1/4"	350	3.8	6'-7"	117	1.7	
	54"	17'-5 3/4"	6'-8 1/2"	10'-4"	11'-11 1/4"	415	4.5	7'-6"	151	2.1	
60"	19'-2 3/4"	7'-3 1/2"	11'-4"	13'-1"	469	5.3	8'-3"	174	2.5		
66"	20'-11 1/2"	7'-10 1/2"	12'-4"	14'-3"	530	6.2	8'-9"	194	2.9		
72"	22'-8 1/2"	8'-5 1/2"	13'-4"	15'-4 3/4"	587	7.1	9'-4"	213	3.3		
3:1	12"	6'-3"	2'-6"	4'-3"	4'-11"	114	0.8	1'-9"	22	0.2	
	15"	7'-5"	2'-9 1/2"	5'-0"	5'-9 1/4"	133	1.1	2'-2"	28	0.3	
	18"	8'-6 3/4"	3'-1"	5'-9"	6'-7 3/4"	166	1.3	2'-8"	37	0.5	
	21"	9'-8 3/4"	3'-4 1/2"	6'-6"	7'-6"	189	1.6	3'-1"	48	0.6	
	24"	11'-0"	3'-9 1/2"	7'-3"	8'-4 1/2"	221	2.0	3'-7"	58	0.7	
	27"	12'-2"	4'-1"	8'-0"	9'-2 3/4"	245	2.3	3'-11"	67	0.8	
	30"	13'-4"	4'-4 1/2"	8'-9"	10'-1 1/4"	287	2.7	4'-4"	77	1.0	
	33"	14'-5 3/4"	4'-8"	9'-6"	10'-11 3/4"	310	3.1	4'-8"	84	1.2	
	36"	15'-7 3/4"	4'-11 1/2"	10'-3"	11'-10"	343	3.5	5'-1"	96	1.4	
	42"	17'-11 1/2"	5'-6 1/2"	11'-9"	13'-6 3/4"	424	4.5	5'-10"	119	1.7	
	48"	21'-1 3/4"	6'-1 1/2"	14'-0"	16'-2"	527	6.1	6'-7"	146	2.3	
	54"	23'-5 1/2"	6'-8 1/2"	15'-6"	17'-10 3/4"	618	7.3	7'-6"	186	2.9	
60"	25'-9 1/4"	7'-3 1/2"	17'-0"	19'-7 1/2"	707	8.7	8'-3"	219	3.4		
66"	28'-1"	7'-10 1/2"	18'-6"	21'-4 1/4"	797	10.1	8'-9"	242	3.9		
72"	30'-4 3/4"	8'-5 1/2"	20'-0"	23'-1 1/4"	910	11.7	9'-4"	272	4.4		
4:1	12"	7'-10 3/4"	2'-6"	5'-8"	6'-6 1/2"	144	1.1	1'-9"	24	0.3	
	15"	9'-4"	2'-9 1/2"	6'-8"	7'-8 1/2"	177	1.5	2'-2"	32	0.4	
	18"	10'-9 1/2"	3'-1"	7'-8"	8'-10 1/4"	217	1.9	2'-8"	42	0.5	
	21"	12'-2 3/4"	3'-4 1/2"	8'-8"	10'-0"	254	2.3	3'-1"	57	0.7	
	24"	13'-9 1/2"	3'-9 1/2"	9'-8"	11'-2"	295	2.8	3'-7"	67	0.9	
	27"	15'-3"	4'-1"	10'-8"	12'-3 3/4"	328	3.3	3'-11"	77	1.0	
	30"	16'-8 1/4"	4'-4 1/2"	11'-8"	13'-5 3/4"	379	3.8	4'-4"	89	1.3	
	33"	18'-1 3/4"	4'-8"	12'-8"	14'-7 1/2"	417	4.5	4'-8"	101	1.4	
	36"	19'-7"	4'-11 1/2"	13'-8"	15'-9 1/4"	464	5.1	5'-1"	115	1.7	
	42"	22'-5 3/4"	5'-6 1/2"	15'-8"	18'-1"	575	6.5	5'-10"	141	2.1	
	48"	26'-6 1/4"	6'-1 1/2"	18'-8"	21'-6 3/4"	720	8.9	6'-7"	175	2.8	
	54"	29'-5"	6'-8 1/2"	20'-8"	23'-10 1/4"	863	10.7	7'-6"	226	3.6	
60"	32'-3 3/4"	7'-3 1/2"	22'-8"	26'-2"	984	12.7	8'-3"	264	4.3		
66"	35'-2 1/2"	7'-10 1/2"	24'-8"	28'-5 3/4"	1126	14.9	8'-9"	300	4.9		
72"	38'-1 1/4"	8'-5 1/2"	26'-8"	30'-9 1/2"	1283	17.3	9'-4"	334	5.6		
6:1	12"	11'-2"	2'-6"	8'-6"	9'-9 3/4"	220	1.9	1'-9"	28	0.4	
	15"	13'-2 1/4"	2'-9 1/2"	10'-0"	11'-6 1/2"	264	2.5	2'-2"	37	0.5	
	18"	15'-2 1/2"	3'-1"	11'-6"	13'-3 1/4"	326	3.2	2'-8"	50	0.7	
	21"	17'-2 3/4"	3'-4 1/2"	13'-0"	15'-0 1/4"	381	3.9	3'-1"	69	0.9	
	24"	19'-4 1/2"	3'-9 1/2"	14'-6"	16'-9"	447	4.8	3'-7"	80	1.2	
	27"	21'-4 3/4"	4'-1"	16'-0"	18'-5 3/4"	506	5.7	3'-11"	96	1.4	
	30"	23'-5 1/4"	4'-4 1/2"	17'-6"	20'-2 1/2"	587	6.7	4'-4"	110	1.7	
	33"	25'-5 1/2"	4'-8"	19'-0"	21'-11 1/4"	667	7.8	4'-8"	127	2.0	
	36"	27'-5 3/4"	4'-11 1/2"	20'-6"	23'-8"	727	9.0	5'-1"	144	2.3	
	42"	31'-6 1/4"	5'-6 1/2"	23'-6"	27'-1 1/2"	914	11.5	5'-10"	179	3.0	
	48"	37'-3 1/2"	6'-1 1/2"	28'-0"	32'-4"	1181	15.9	6'-7"	231	4.0	
	54"	41'-4 1/4"	6'-8 1/2"	31'-0"	35'-9 1/2"	1412	19.2	7'-6"	300	5.0	
60"	45'-4 3/4"	7'-3 1/2"	34'-0"	39'-3"	1619	22.9	8'-3"	353	6.0		

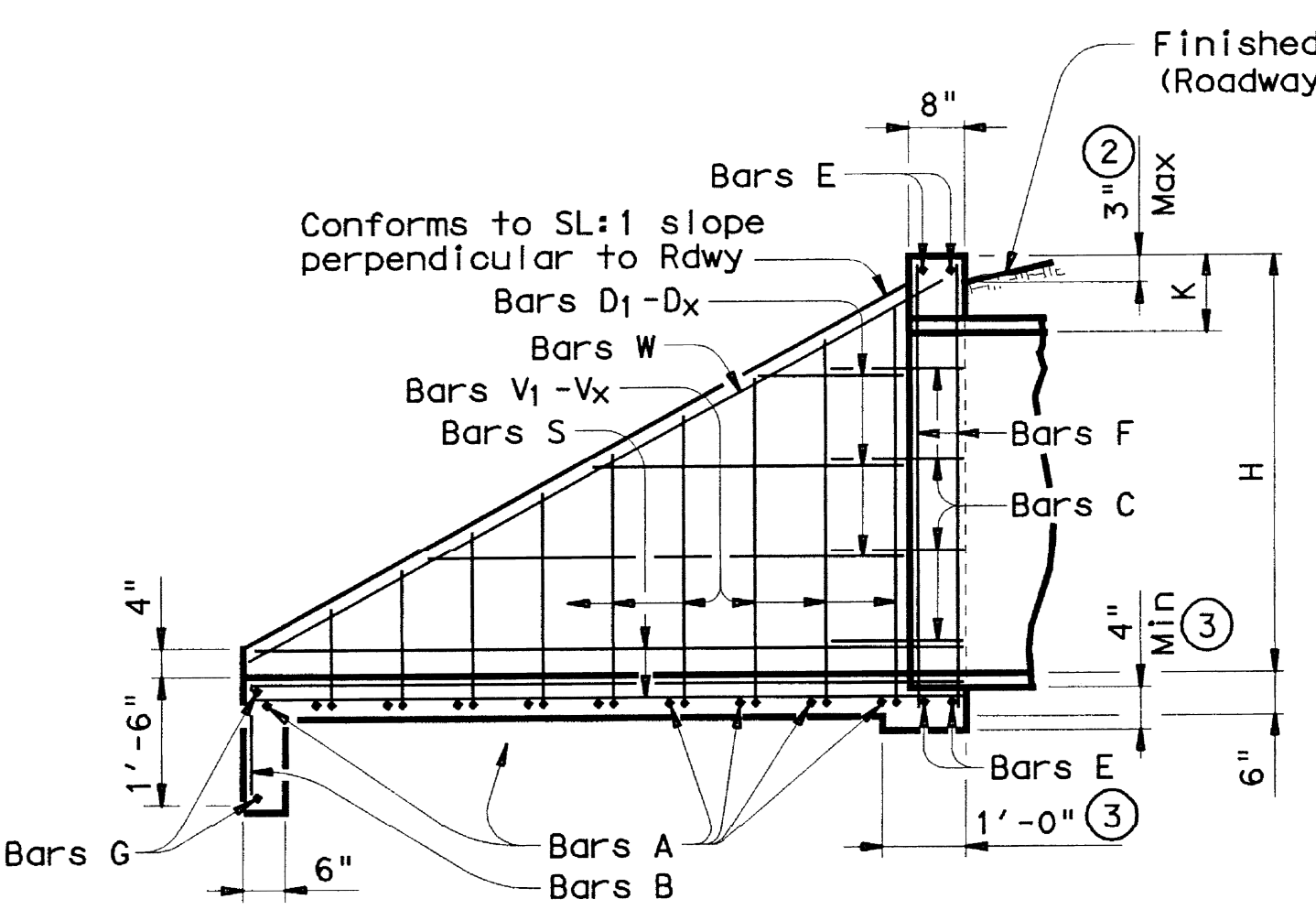


ELEVATION
Showing dimensions

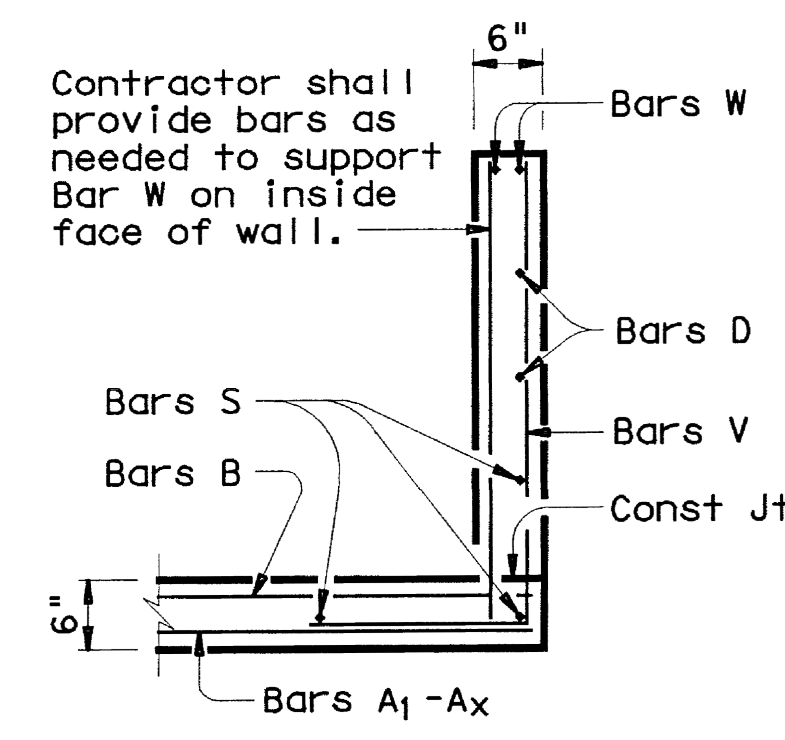
- Quantities shown are for concrete pipe and will increase slightly for metal pipe installations.
- For vehicle safety, curbs shall project no more than 3" above finished grade. Curb heights shall be reduced, if necessary, to meet these requirements. No changes will be made in quantities and no additional compensation will be allowed for this work.
- Provide a 1'-0" footing as shown where required to maintain 4" Min cover for pipes.
- Quantities shown are for one structure end only (one headwall).
- Min Length = 6" + 3" x $\left(\frac{12 \times H - 7}{12 \times L}\right)$
Max Length = 12 x H - 3" x $\left(\frac{12 \times H - 7}{12 \times L}\right) - 1"$
- Lengths of wings based on SL:1 Slope along this line.



PLAN

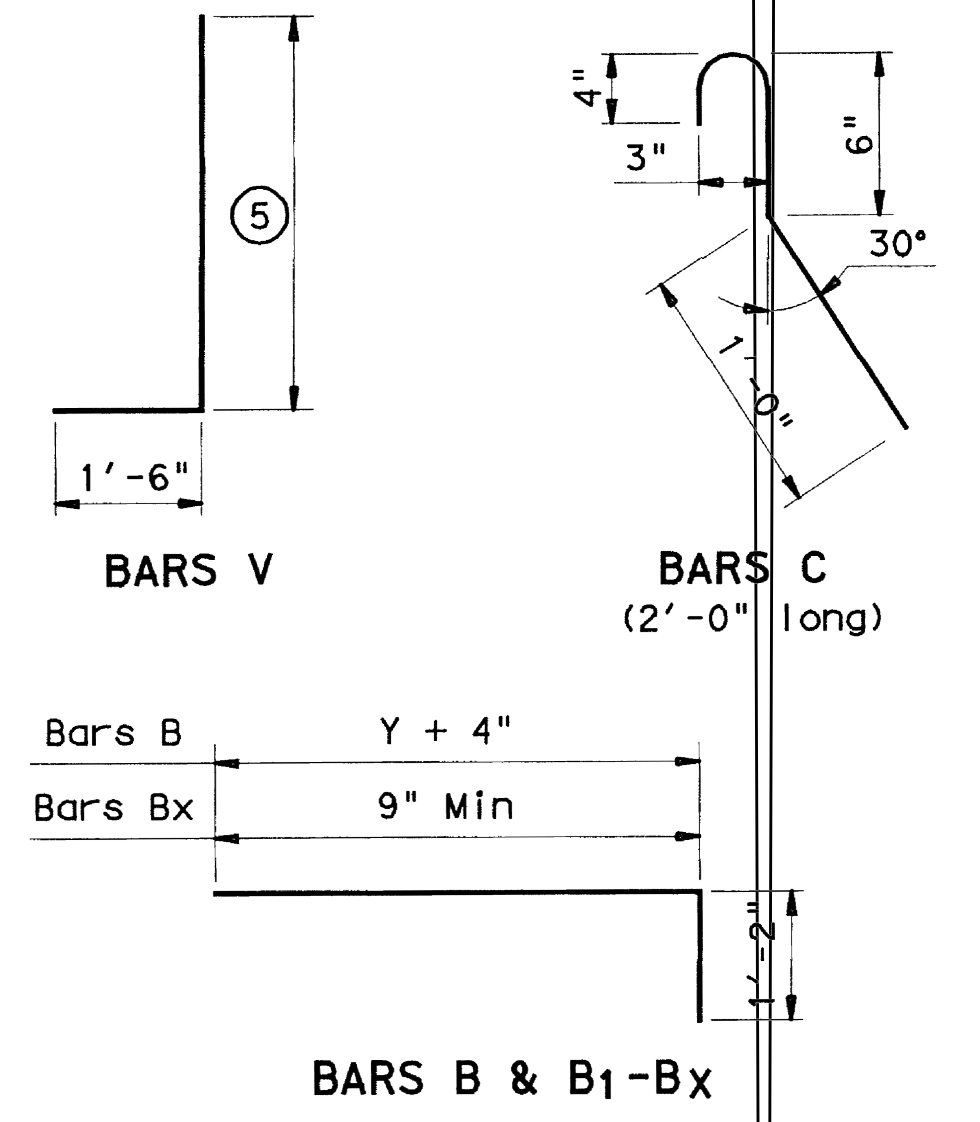


TYPICAL WING ELEVATION



SECTION A-A

TABLE OF REINFORCING STEEL (4)				TABLE OF CONSTANT DIMENSIONS			
Bar	Size	Spa	No.	G	K	H	
A	# 4	1'-0"	~	12"	9"	1'-0"	2'-0"
B	# 3	1'-6"	~	15"	11"	1'-0"	2'-3"
C	# 4	1'-0"	~	18"	1'-2"	1'-0"	2'-6"
D	# 3	1'-0"	~	21"	1'-4"	1'-0"	2'-9"
E	# 5	~	4	24"	1'-7"	1'-0"	3'-0"
F	# 5	~	~	27"	1'-8"	1'-0"	3'-3"
G	# 3	~	2	30"	1'-10"	1'-0"	3'-6"
S	# 4	~	6	33"	1'-11"	1'-0"	3'-9"
V	# 4	1'-0"	~	36"	2'-1"	1'-0"	4'-0"
W	# 5	~	4	42"	2'-4"	1'-0"	4'-6"
				48"	2'-7"	1'-3"	5'-3"
				54"	3'-0"	1'-3"	5'-9"
				60"	3'-3"	1'-3"	6'-3"
				66"	3'-3"	1'-3"	6'-9"
				72"	3'-4"	1'-3"	7'-3"



GENERAL NOTES:
 Designed according to current AASHTO Standard and Interim Specifications.
 Reinforcing steel shall be placed with the center of the outside layer of bars 2" from the surface of the concrete.
 All reinforcing steel shall be Grade 60.
 All concrete shall be Class "C" and shall have a minimum compressive strength of 3600 psi.
 No bridge rails of any type may be mounted directly to these culvert headwalls.

Texas Department of Transportation
 Bridge Division

CONCRETE HEADWALLS WITH FLARED WINGS FOR 0° SKEW PIPE CULVERTS

CH-FW-0

FILE: chfw00se.dgn	DN: TxDOT	CK: TxDOT	DW: TxDOT	CR: GAF
© TxDOT December 2003	DISTRICT	FEDERAL AID PROJECT		SHEET
REVISIONS				
COUNTY	CONTROL	SECT	JOB	HIGHWAY

These plans and related specifications were prepared for construction of this specific project only. Reuse of these documents is not permitted without written authorization of Birkhoff, Henrichs, & Conroy, LLP.