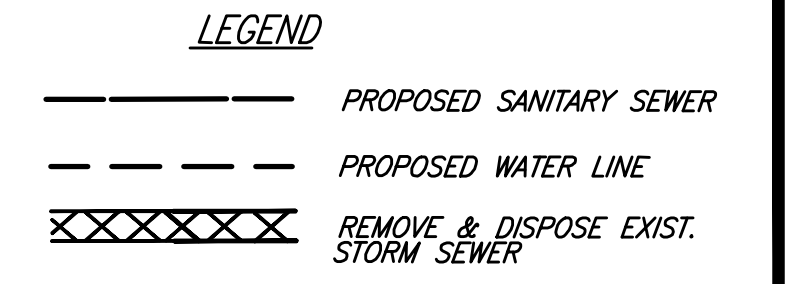
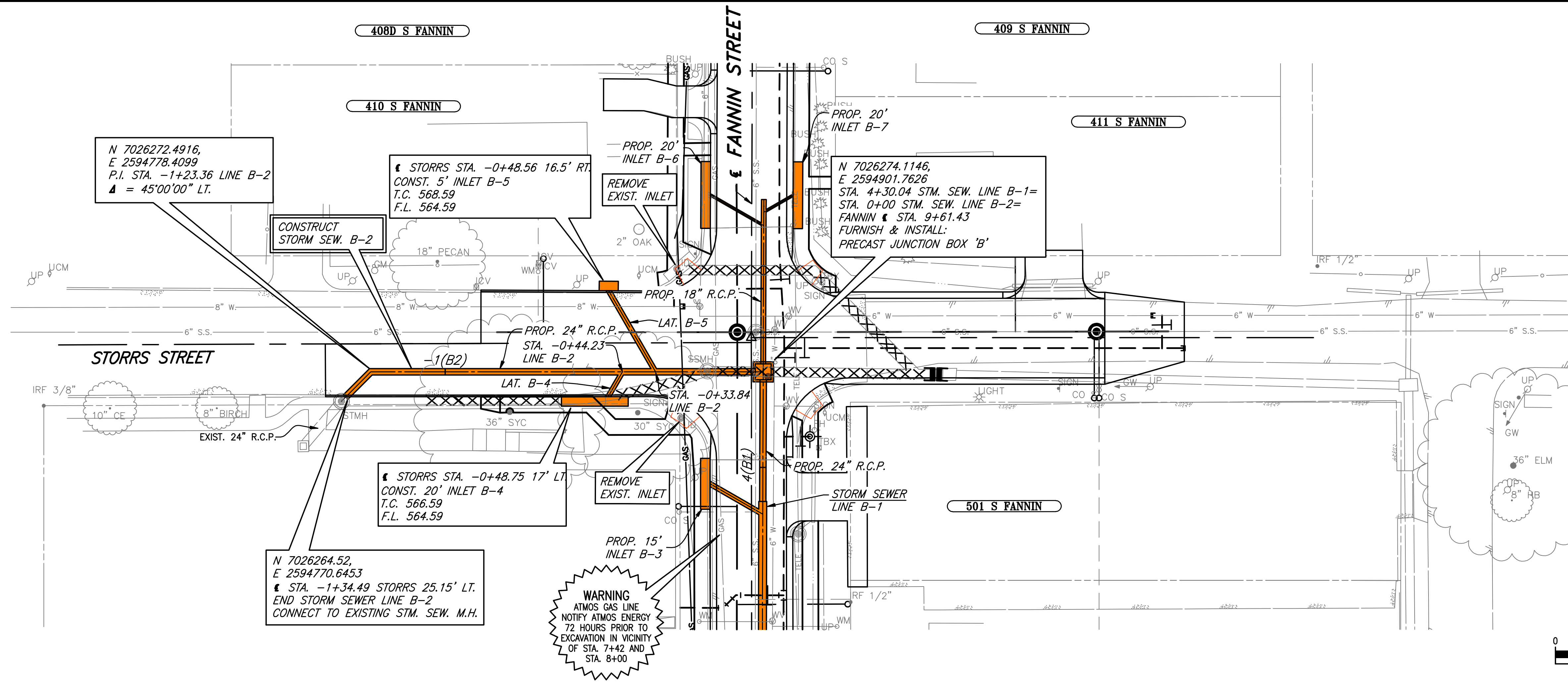
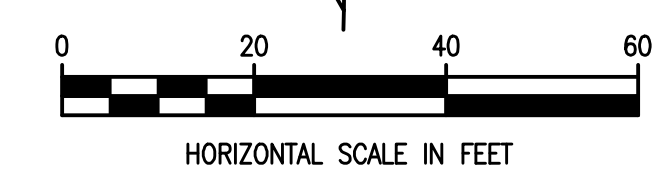
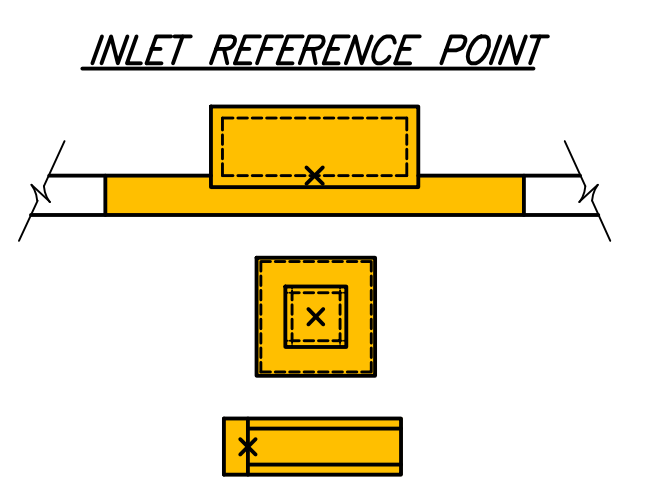


REVISED: 4/29/09 - GDAVIS
 C:\acad_jobs\Rockwall\2005111\Sheets\2005111-053_STMSEW-PPB2.dwg
 PLOT SCALE: 1:20
 PLOT STYLE: 22X34.ctb
 PLOTTED BY: GDAVIS ON: 4/30/2009

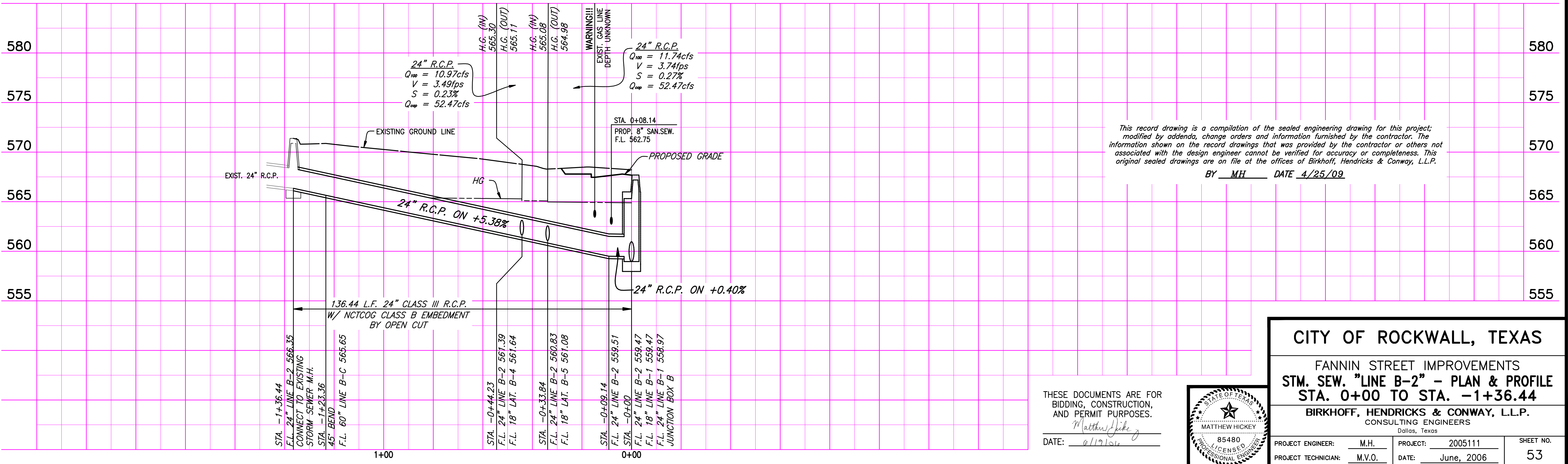


NOTES:

- UNLESS SHOWN TO REMAIN, THE CONTRACTOR SHALL REMOVE & DISPOSE OF ALL EXIST. STORM SEWER PIPE, HEADWALLS, DRIVEWAY CULVERTS, & CULVERTS. REMOVAL & DISPOSAL OF THESE ITEMS SHALL BE PAID UNDER R.O.W. PREPARATION. NO ADDITIONAL PAYMENT WILL BE PROVIDED UNDER R.O.W. PREPARATION FOR REMOVAL AND DISPOSAL OF THESE ITEMS.



These plans and related specifications were prepared for construction of this specific project only. Reuse of these documents is not permitted without written authorization of Birkhoff, Hendricks, & Conway, L.L.P.



This record drawing is a compilation of the sealed engineering drawing for this project; modified by addenda, change orders and information furnished by the contractor. The information shown on the record drawings that was provided by the contractor or others not associated with the design engineer cannot be verified for accuracy or completeness. This original sealed drawings are on file at the offices of Birkhoff, Hendricks & Conway, L.L.P.
 BY MH DATE 4/25/09

THESE DOCUMENTS ARE FOR BIDDING, CONSTRUCTION, AND PERMIT PURPOSES.
 DATE: 4/19/09



CITY OF ROCKWALL, TEXAS

FANNIN STREET IMPROVEMENTS
 STM. SEW. "LINE B-2" - PLAN & PROFILE
 STA. 0+00 TO STA. -1+36.44

BIRKHOFF, HENDRICKS & CONWAY, L.L.P.
 CONSULTING ENGINEERS
 Dallas, Texas

PROJECT ENGINEER: M.H.	PROJECT: 2005111	SHEET NO. 53
PROJECT TECHNICIAN: M.V.O.	DATE: June, 2006	