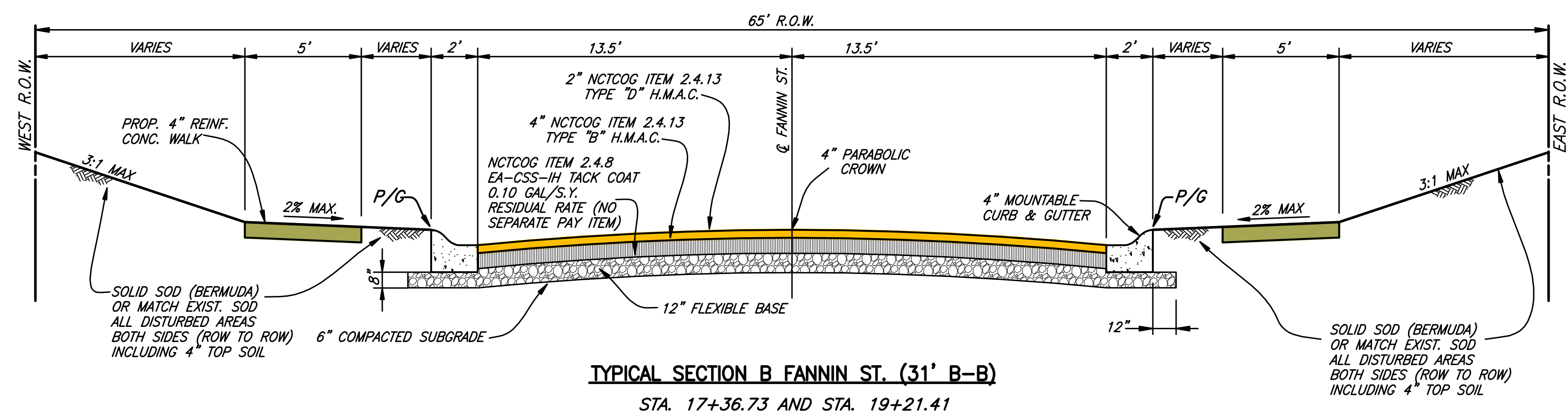
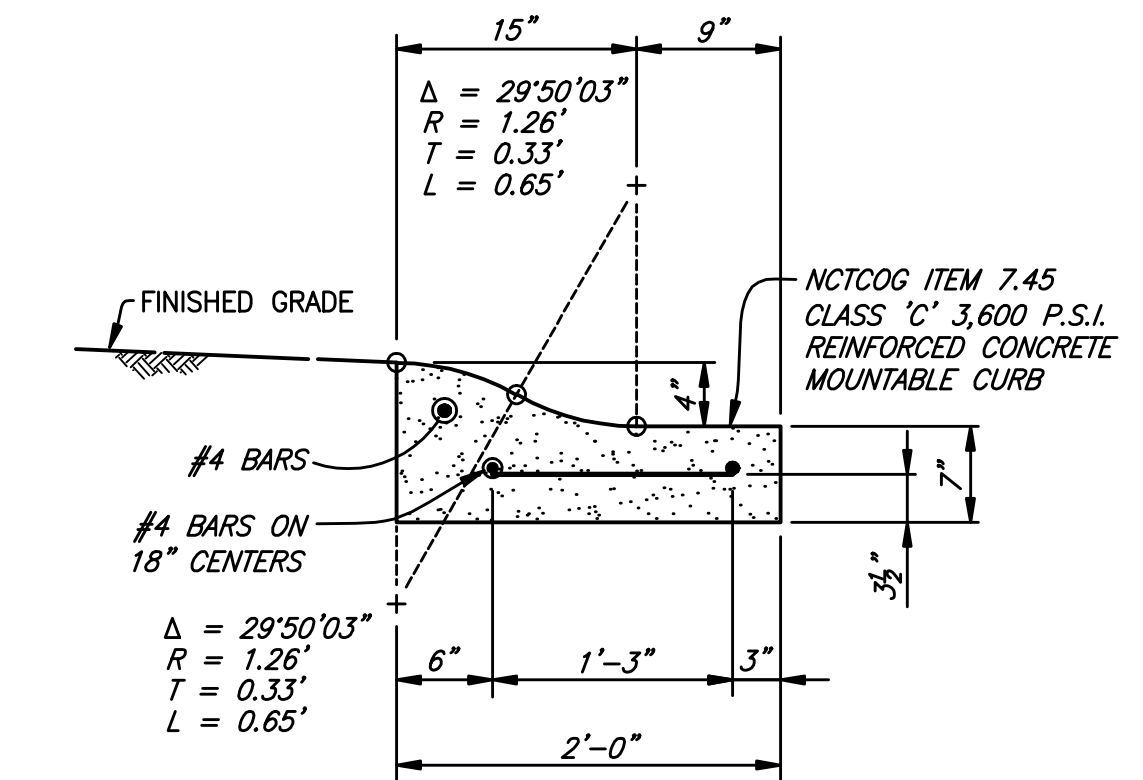
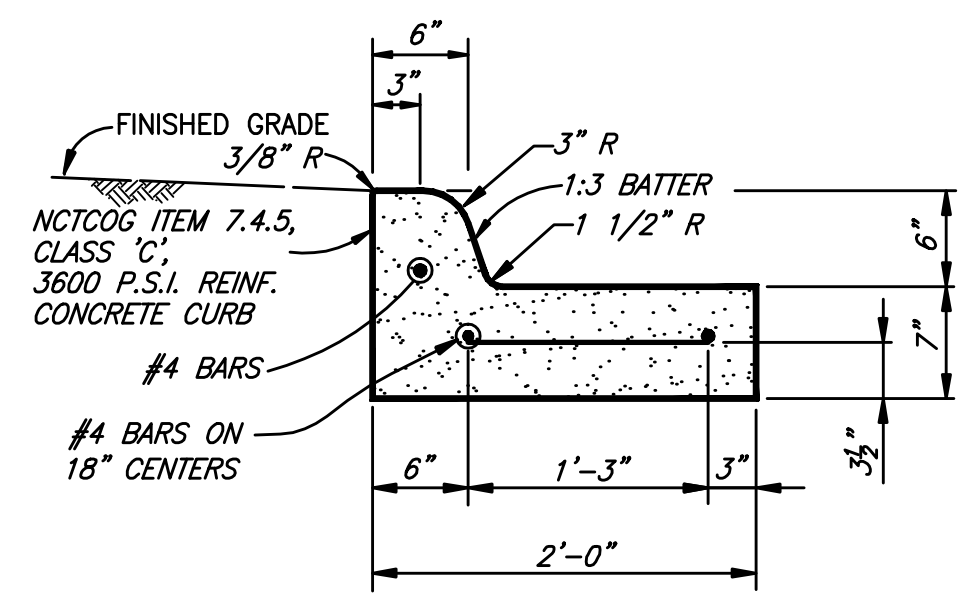
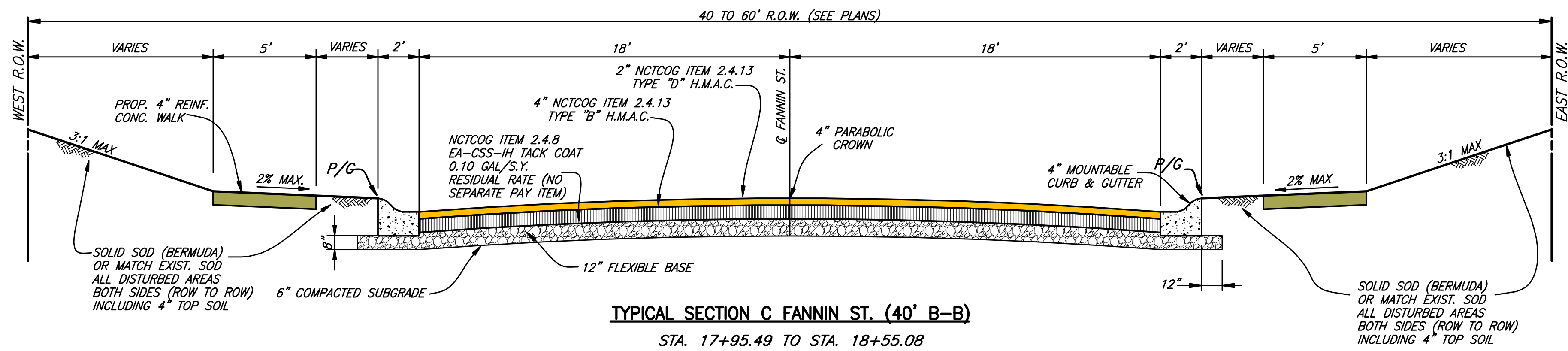


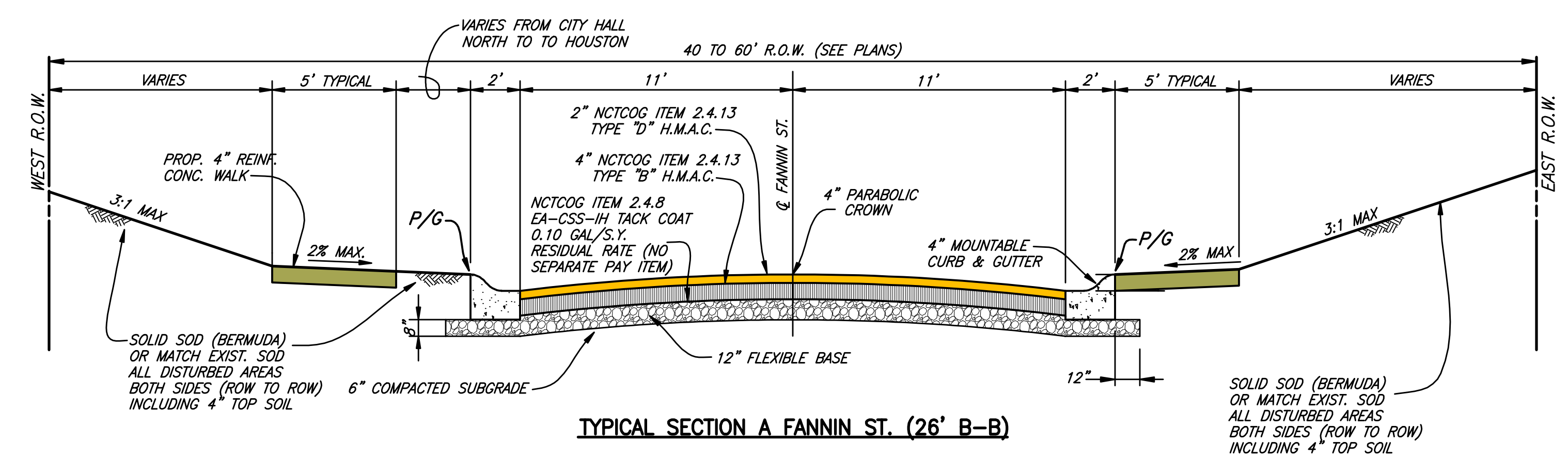
REVISIONS: 4/30/09 - GDAVIS
 PLOT SCALE: 1:4
 PLOT STYLE: 22X34.ctb
 PLOTTED BY: GDAVIS ON 4/30/2009
 C:\Acad_Jobs\Rockwall\20051111\Sheets\20051111-003_TYPSEC.dwg



P/G = PROFILE GRADE

NOTES:

- 1.-8" FLEXIBLE BASE SHALL BE NCTCOG ITEM 2.1.3. (b) (MODIFIED OR RECYCLED CRUSHED CONCRETE) COMPACTED TO A MINIMUM OF 95% MODIFIED PROCTOR DENSITY (ASTM D1557). THE N.C.T.C.O.G. FLEXIBLE BASE SHALL BE MODIFIED ACCORDING TO THE FOLLOWING
 MODIFIED N.C.T.C.O.G. GRADATION
 PASSING 1-3/4" SIEVE.....100%
 PASSING NO. 4 SIEVE.....35+55%
 PASSING NO. 40 SIEVE.....15+30%
- 2.-FLEXIBLE BASE SHALL BE ON A 6" COMPACTED SUBGRADE COMPACTED BETWEEN 95 PROCTOR (ASTM D698) AT A MOISTURE CONTENT BETWEEN 0 AND +4% POINTS OF OPTIMUM.
- 3.-A PRIME COAT SHALL BE REQUIRED BETWEEN THE COMPACTED FLEX BASE AND TYPE "B" H.M.A.C. AND A TACK COAT SHALL BE REQUIRED BETWEEN THE TYPE B & TYPE D H.M.A.C. NO SEPARATE PAY ITEM WILL BE MADE FOR THE PRIME AND THE TACK COATS.
- 4.-CONTRACTOR SHALL REFER TO THE STORM WATER POLLUTION PREVENTION PLAN FOR LOCATIONS OF AREAS TO BE SOLID SODDED. SOLID SOD SHALL BE PLACED IN ALL LOCATIONS DISTURBED BY CONSTRUCTION, INCLUDING CONSTRUCTION LOCATED IN EASEMENTS.
5. ALL COMPACTED SUBGRADE UNDER PAVEMENT SHALL BE 6" AND COMPACTED TO 95% STD. PROCTOR (ASTM D689) AT A MOISTURE CONTENT BETWEEN 0 AND +4% POINTS OF OPTIMUM.
6. FOR SIDEWALKS LOCATED ALONG BACK OF CURB, SIDEWALK LUGS SHALL BE FURNISHED AND INSTALLED BY THE CONTRACTOR AND SHALL BE PAID UNDER THE APPROPRIATE BID ITEM FOR SIDEWALK CONSTRUCTION.



This record drawing is a compilation of the sealed engineering drawing for this project, modified by addenda, change orders and information furnished by the contractor. The information shown on the record drawings that was provided by the contractor or others not associated with the design engineer cannot be verified for accuracy or completeness. This original sealed drawings are on file at the offices of Birkhoff, Hendricks & Conway, L.L.P.

BY MH DATE 4/25/09

THESE DOCUMENTS ARE FOR BIDDING, CONSTRUCTION, AND PERMIT PURPOSES.
 Matthew Hickey

DATE: 6/19/10



CITY OF ROCKWALL, TEXAS			
FANNIN STREET IMPROVEMENTS TYPICAL SECTIONS			
BIRKHOFF, HENDRICKS & CONWAY, L.L.P. CONSULTING ENGINEERS Dallas, Texas			
PROJECT ENGINEER:	M.H.	PROJECT:	2005111
PROJECT TECHNICIAN:	K.A.B.	DATE:	February, 2007
			SHEET NO. 3

These plans and related specifications were prepared for construction of this specific project only. Reuse of these documents is not permitted without written authorization of Birkhoff, Hendricks & Conway, L.L.P.