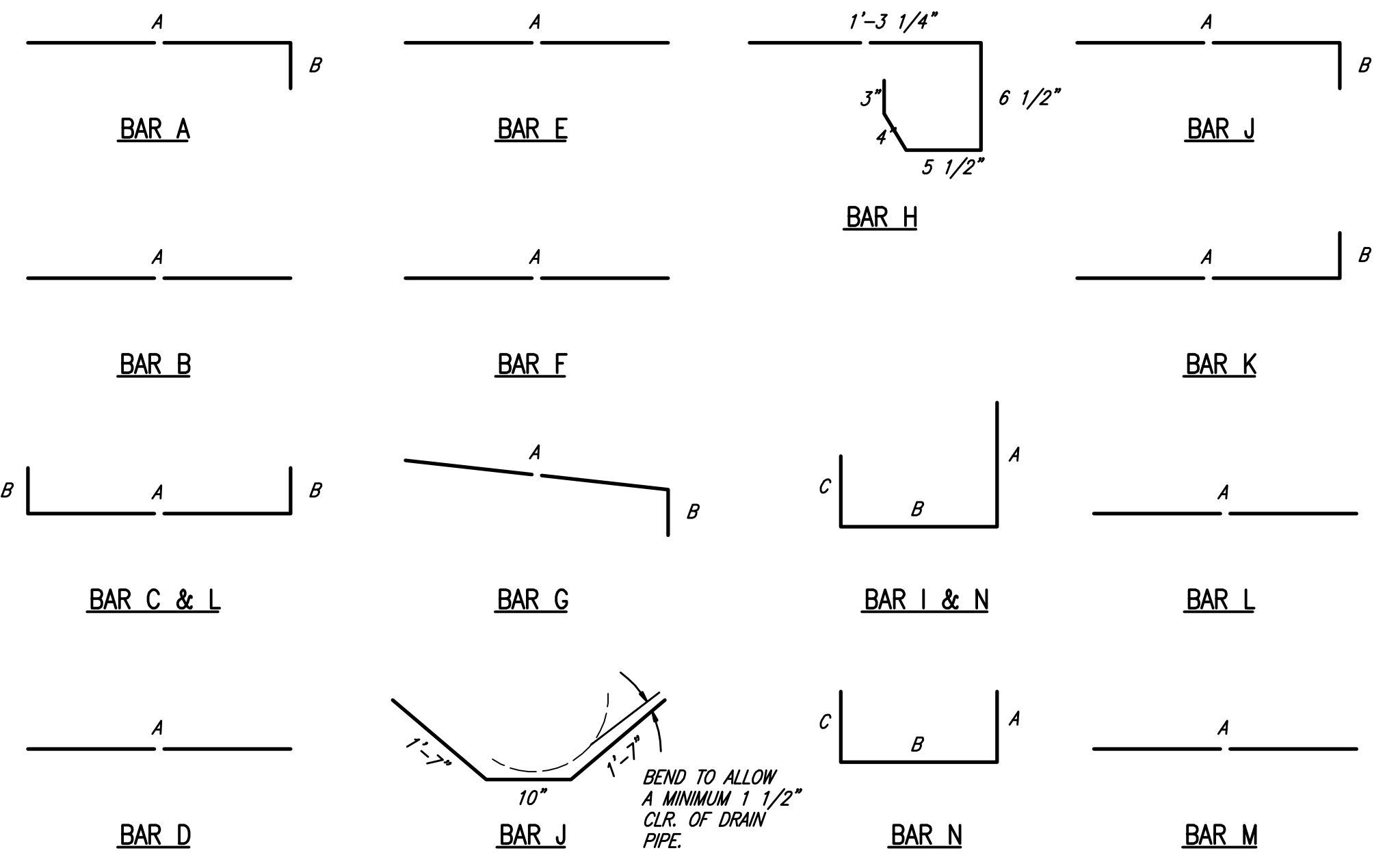


PLOTTED BY: GDAVIS ON 5/4/2009  
 PLOT STYLE: 22234.ctb  
 PLOT SCALE: 1:1  
 C:\Acad\Jobs\Rockwall\2005111\Sheets\2005111-106\_MISC-DETAILS-03.dwg  
 REVISED: 4/22/09 - GDAVIS



**BAR DIAGRAMS**

**DOUBLE INLETS**  
DIMENSIONS SHOWN ARE FOR MAXIMUM SIZE INLETS

INLET LENGTH	BAR TYPE	BAR DIA. (1/8 IN.)	NO. REQ'D	BAR DIMENSIONS		
				A	B	C
6 FT.	A	3	15	3'-2"	0'-6"	-
	B	3	2	11'-6"	-	-
	C	4	16	13'-4"	0'-6"	-
	D	4	9	4'-8"	-	-
	E	5	6	13'-4"	-	-
	F	4	5	1'-2"	-	-
	G	3	12	2'-0"	1'-3"	-
	H	3	26	*	*	*
	I	4	12	4'-8"	3'-2"	3'-2"
	J	5	1	*	*	*
	K	5	6	3'-2"	0'-6"	-
	L	4	11	3'-2"	0'-6"	-
	M	4	2	3'-0"	**	-
	N	4	2	4'-8"	3'-2"	4'-8"
7 FT.	A	3	17	3'-2"	0'-6"	-
	B	3	2	13'-6"	-	-
	C	4	16	15'-4"	0'-3"	-
	D	4	9	4'-8"	-	-
	E	5	6	15'-4"	-	-
	F	4	5	1'-2"	-	-
	G	3	15	2'-0"	1'-3"	-
	H	3	32	*	*	*
	I	4	14	4'-8"	3'-2"	3'-2"
	J	5	1	*	*	*
	K	5	6	3'-2"	0'-6"	-
	L	4	11	3'-2"	0'-6"	-
	M	4	2	3'-0"	**	-
	N	4	2	4'-8"	3'-2"	4'-8"

\* SEE DIAGRAM FOR DIMENSIONS.  
 \*\* FIELD CUT AS REQUIRED TO ACCOMMODATE DRAIN PIPE 12" AND 14" INLETS

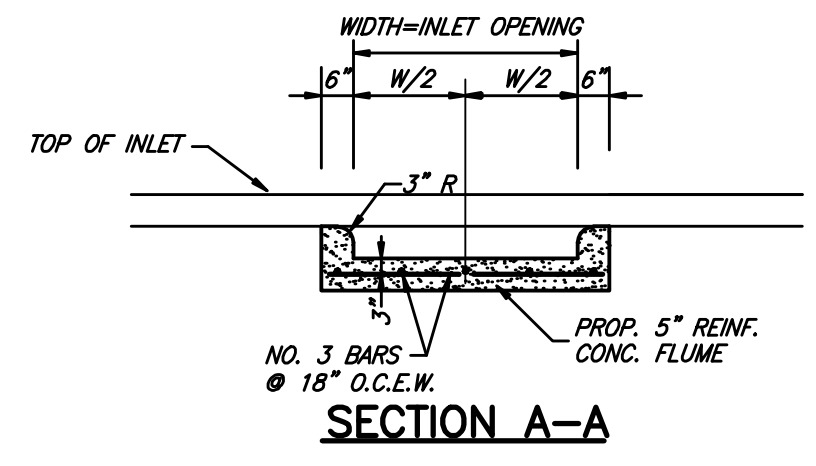
**DOUBLE INLETS**  
DIMENSIONS SHOWN ARE FOR MAXIMUM SIZE INLETS

INLET LENGTH	BAR TYPE	BAR DIA. (1/8 IN.)	NO. REQ'D	BAR DIMENSIONS		
				A	B	C
8 FT.	A	3	19	3'-2"	0'-6"	-
	B	3	2	15'-6"	-	-
	C	4	16	17'-4"	0'-6"	-
	D	4	9	4'-8"	-	-
	E	5	6	17'-4"	-	-
	F	4	5	1'-2"	-	-
	G	3	12	2'-0"	1'-3"	-
	H	3	26	*	*	*
	I	4	16	4'-8"	3'-2"	3'-2"
	J	5	1	*	*	*
	K	5	6	3'-2"	0'-6"	-
	L	4	11	3'-2"	0'-6"	-
	M	4	2	3'-0"	**	-
	N	4	2	4'-8"	3'-2"	4'-8"
10 FT.	A	3	23	3'-2"	0'-6"	-
	B	3	2	19'-6"	-	-
	C	4	16	21'-4"	0'-6"	-
	D	4	9	4'-8"	-	-
	E	5	6	21'-4"	-	-
	F	4	5	1'-2"	-	-
	G	3	15	2'-0"	1'-3"	-
	H	3	32	*	*	*
	I	4	20	4'-8"	3'-2"	3'-2"
	J	5	1	*	*	*
	K	5	6	3'-2"	0'-6"	-
	L	4	11	3'-2"	0'-6"	-
	M	4	2	3'-0"	**	-
	N	4	2	4'-8"	3'-2"	4'-8"

\* SEE DIAGRAM FOR DIMENSIONS.  
 \*\* FIELD CUT AS REQUIRED TO ACCOMMODATE DRAIN PIPE 16" AND 20" INLETS

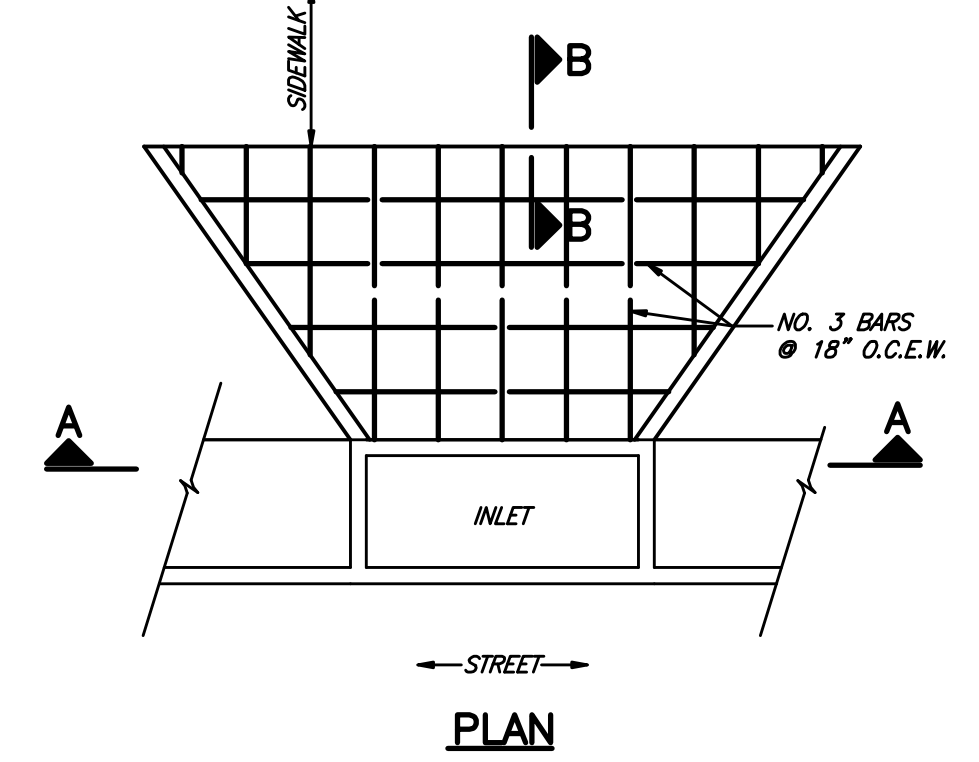
**REINFORCING STEEL SCHEDULE**

NOTE: REFER TO NCTCOG DETAILS FOR OTHER STANDARD INLETS

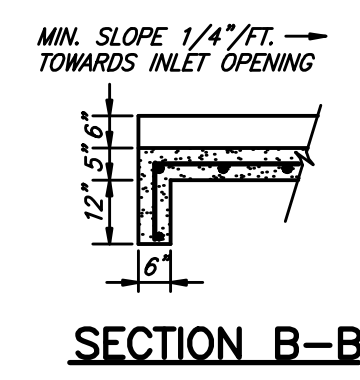


**SECTION A-A**

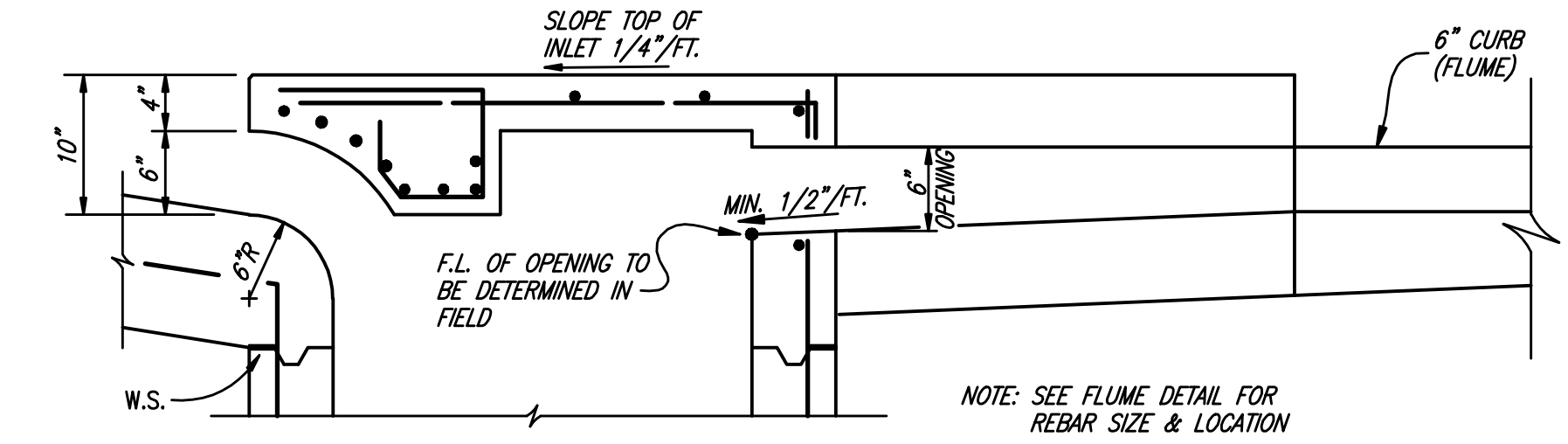
**REINFORCED CONCRETE FLUME WITH CURBS**



**PLAN**

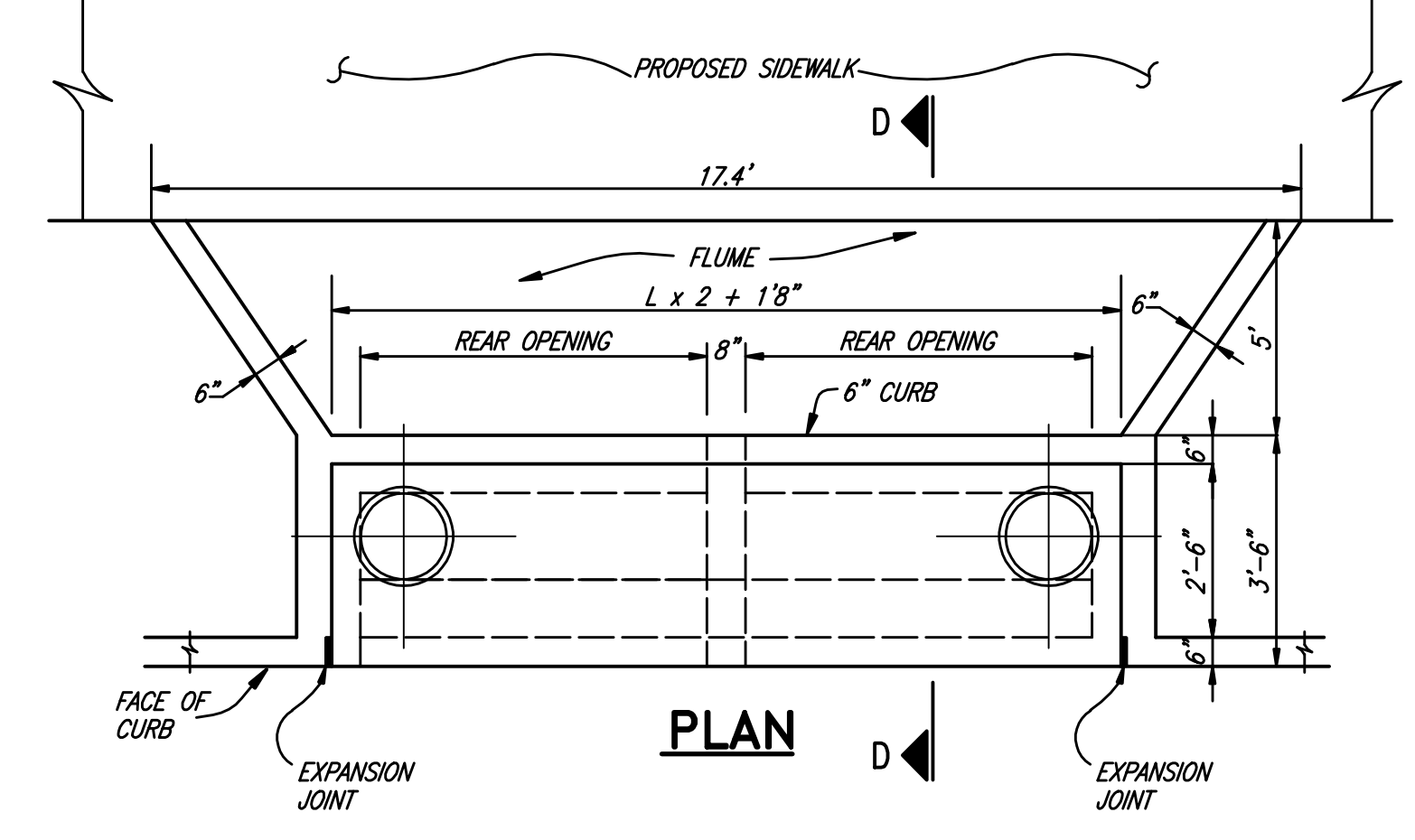


**SECTION B-B**

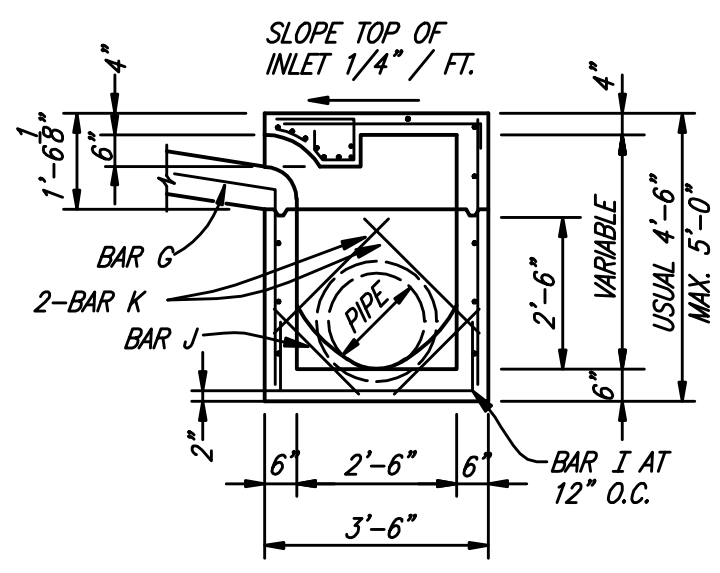


**SECTION D-D**

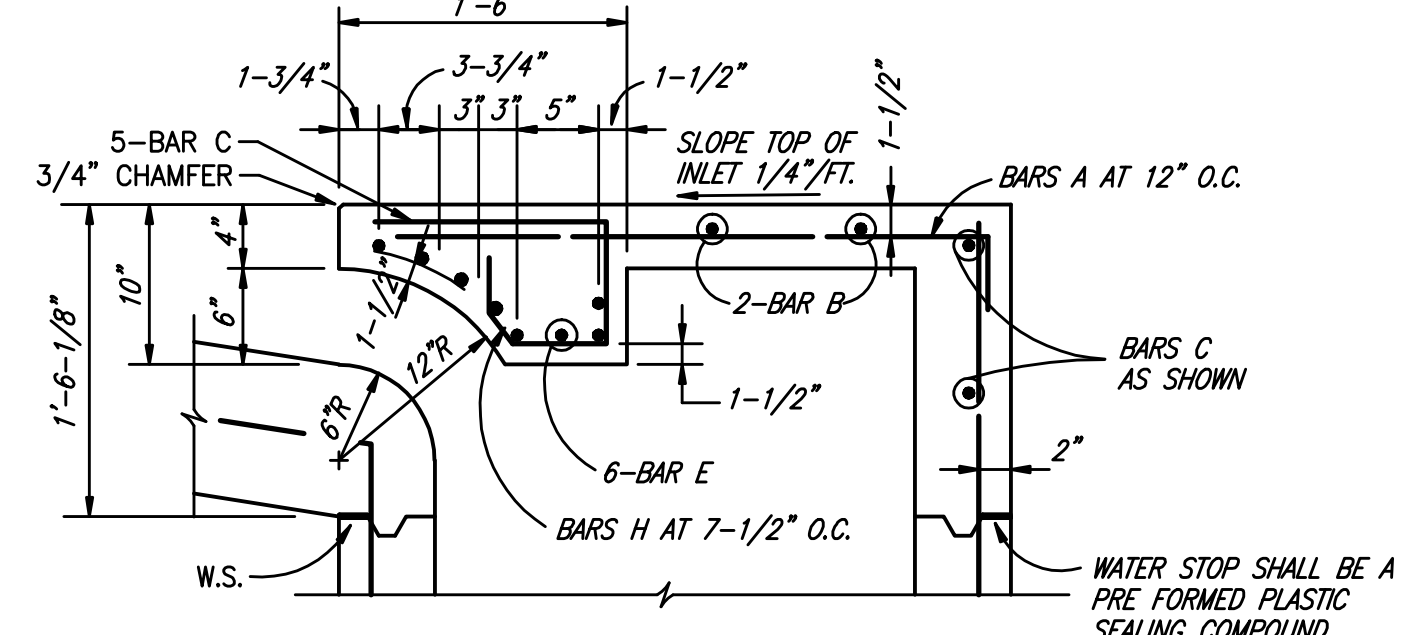
**INLET A-5 WITH REAR OPENING**



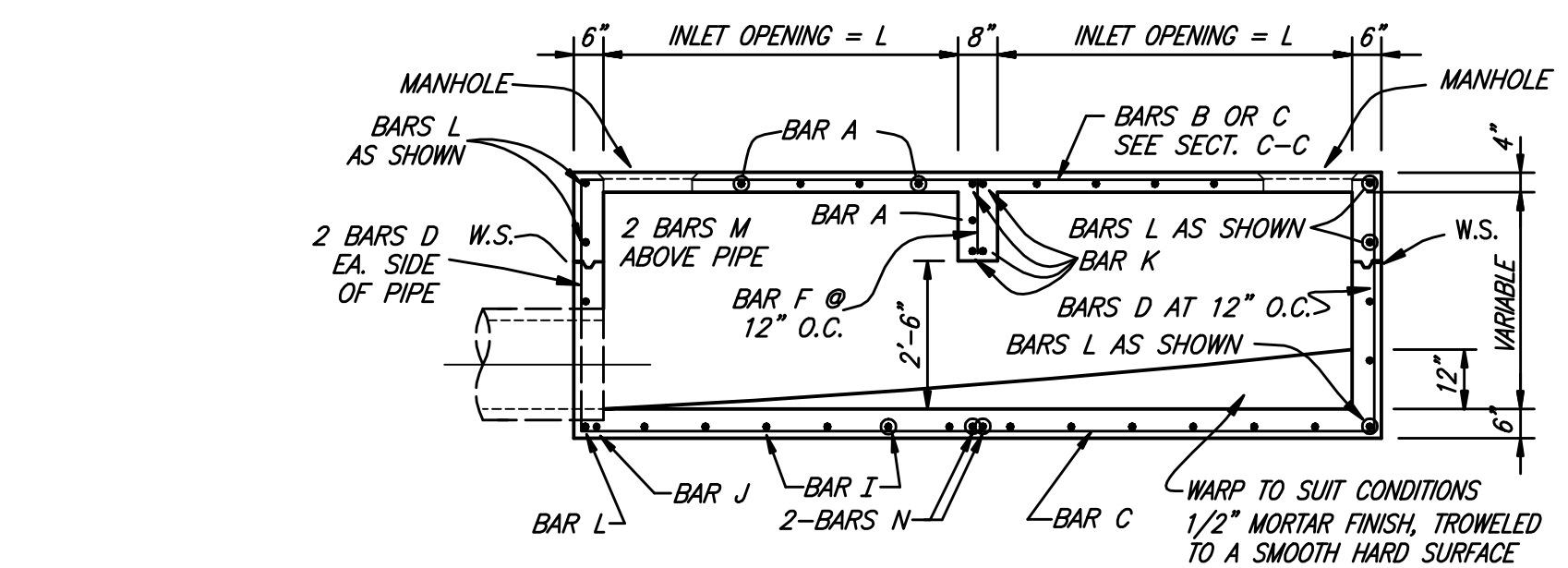
**PLAN**



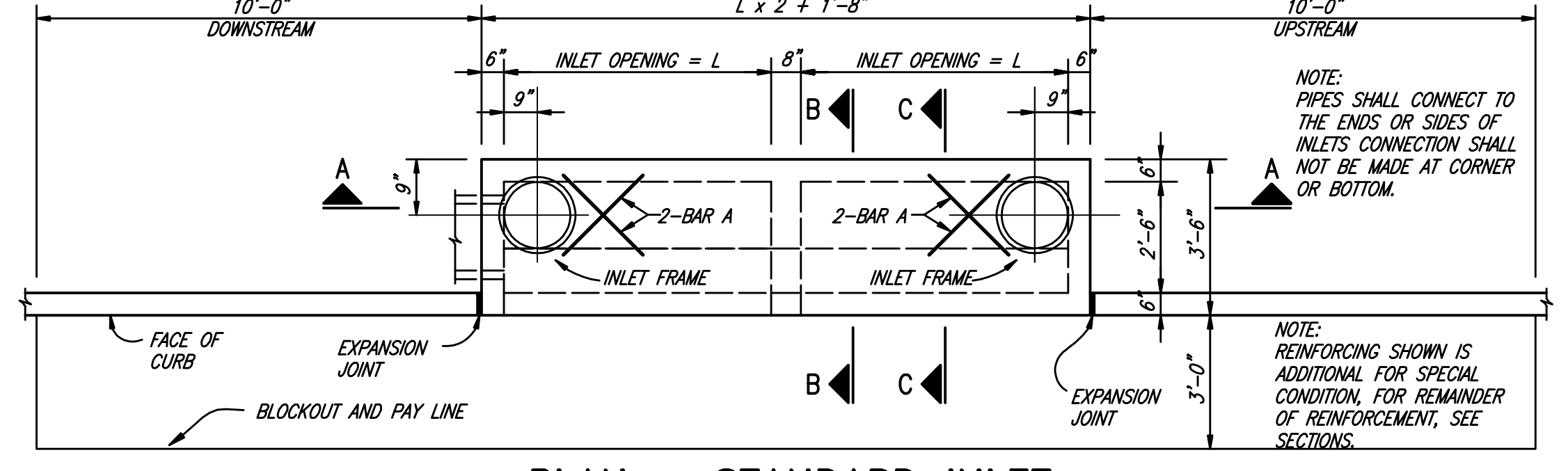
**SECTION B-B**



**SECTION C-C**



**SECTION A-A**



**PLAN - STANDARD INLET**

This record drawing is a compilation of the sealed engineering drawing for this project, modified by addenda, change orders and information furnished by the contractor. The information shown on the record drawings that was provided by the contractor or others not associated with the design engineer cannot be verified for accuracy or completeness. This original sealed drawings are on file at the offices of Birkhoff, Hendricks & Conway, L.L.P.  
 BY MH DATE 4/25/09

These plans and related specifications were prepared for construction of this specific project only. Reuse of these documents is not permitted without written authorization of Birkhoff, Hendricks, & Conway, L.L.P.

**CITY OF ROCKWALL, TEXAS**

**FANNIN STREET  
INLET A-5 DETAILS**

**BIRKHOFF, HENDRICKS & CONWAY, L.L.P.**  
 CONSULTING ENGINEERS  
 Dallas, Texas



THESE DOCUMENTS ARE FOR BIDDING, CONSTRUCTION, AND PERMIT PURPOSES.  
 Matthew Hickey  
 DATE: 6/19/06

DESIGNED BY: M.H. PROJECT: 2005111 SHEET NO. 106  
 DRAWN BY: J.M. DATE: JUNE, 2006