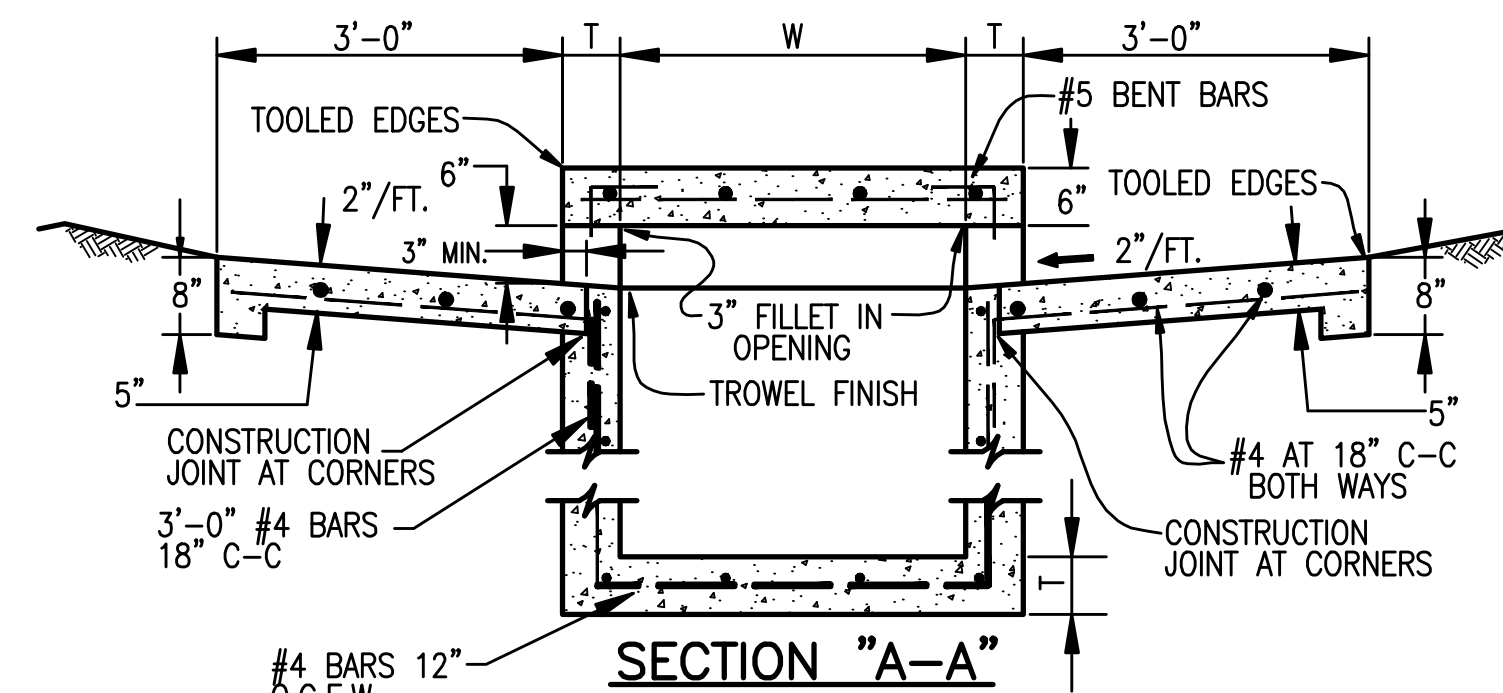


### STORM SEWER TYPE A MANHOLE

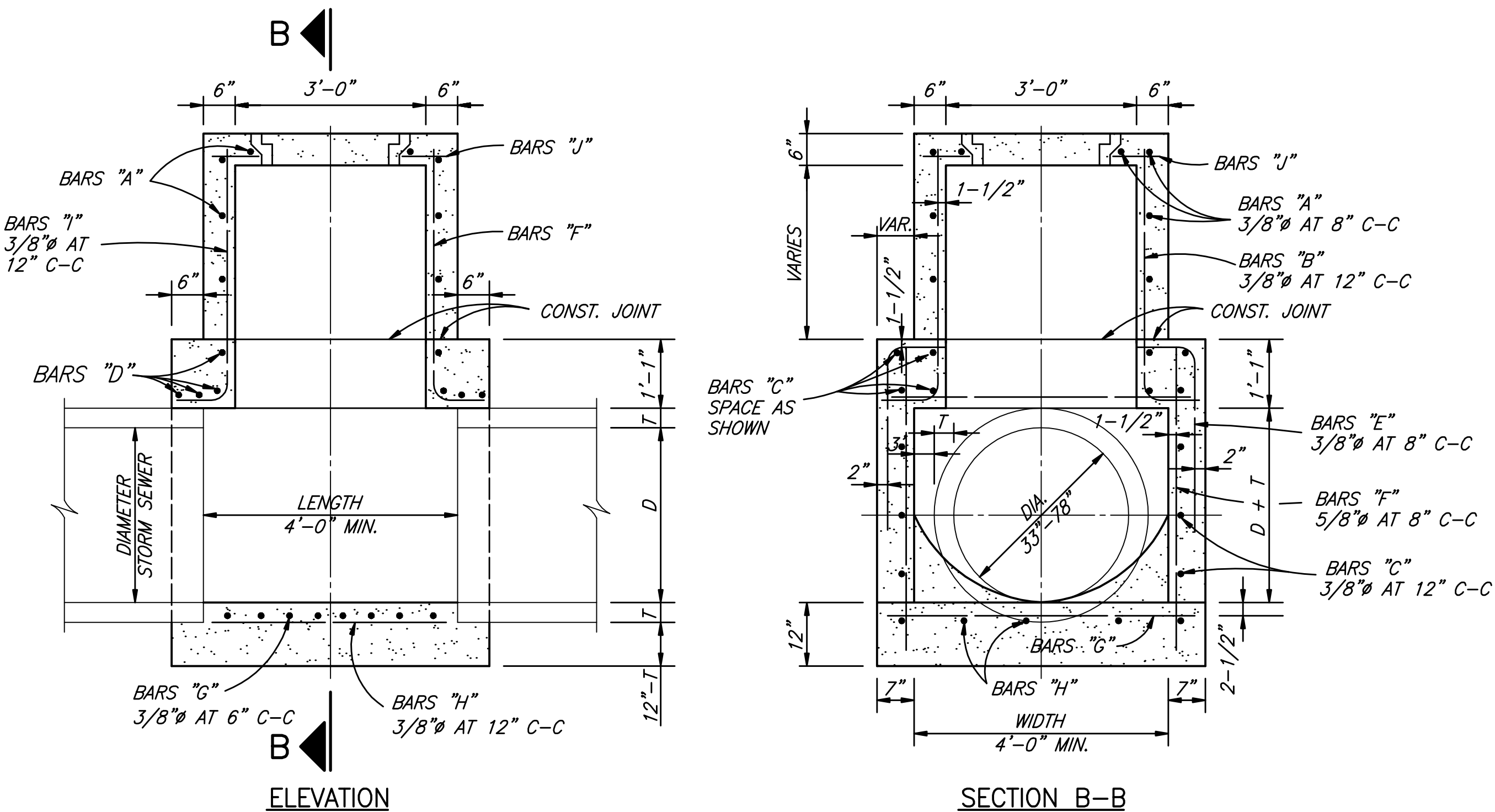
MAX. PIPE SIZE 30"  
(TYPEAMH)



#### NOTES

1. MATERIAL AND WORKMANSHIP SHALL CONFORM WITH THE REQUIREMENTS OF NCTCOG STANDARD SPECIFICATIONS FOR STANDARD CONCRETE MANHOLES, MINIMUM CLASS CONCRETE - 4200 PSI.
2. LAYERS OF REINFORCING STEEL NEAREST THE INTERIOR AND EXTERIOR SURFACES SHALL HAVE A COVER OF 2" TO THE CENTER BARS, UNLESS OTHERWISE NOTED.
3. DEPTH OF DROP INLET FROM FINISHED GRADE TO FLOW LINE OF INLET IS VARIABLE. APPROXIMATE DEPTH WILL BE SHOWN ON PLANS AT LOCATION OF INLET.
4. ALL STANDARD DROP INLETS SHALL HAVE ONE OPENING ON EACH SIDE UNLESS OTHERWISE SHOWN ON PLANS.

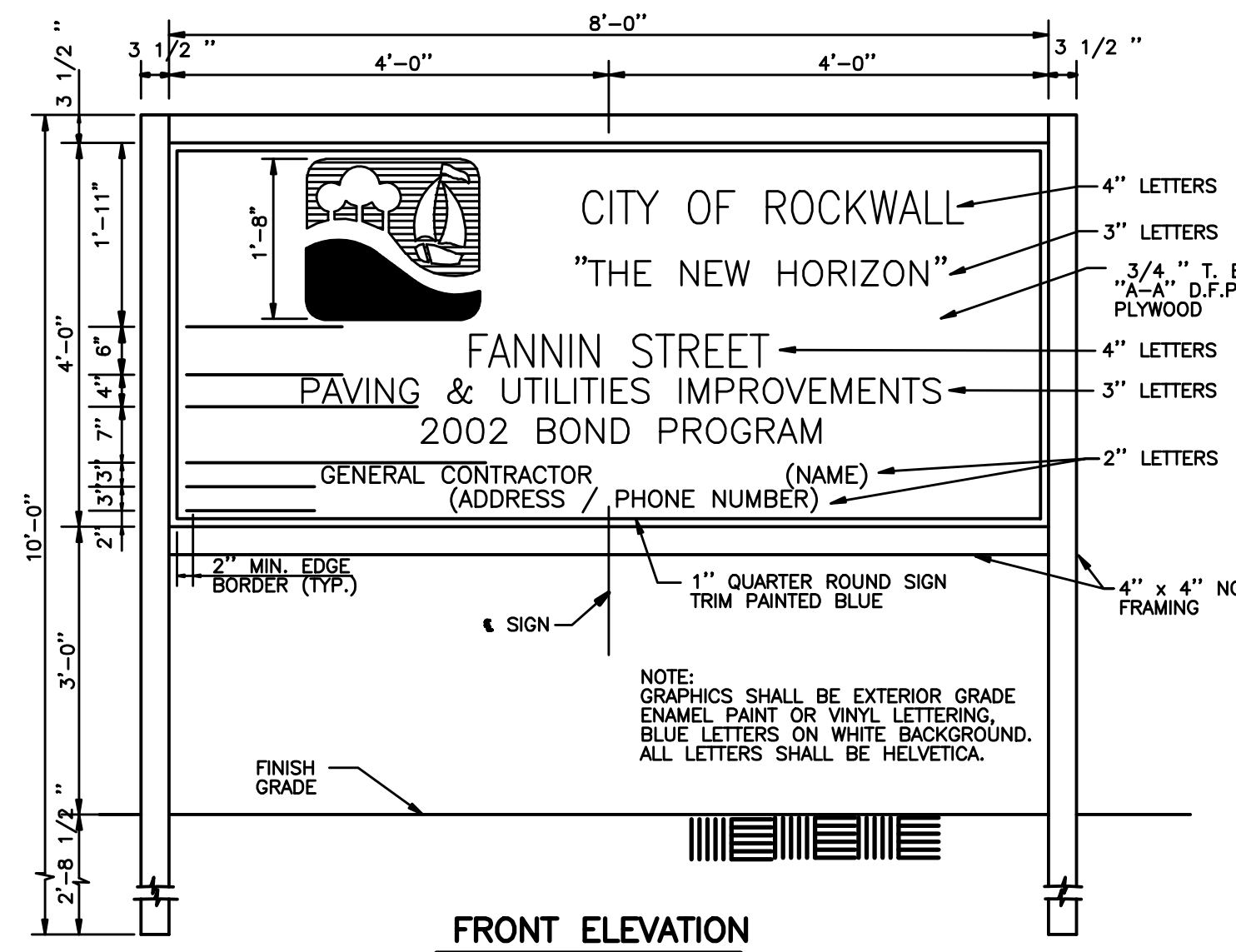
INLET SIZE	T	W
2' SQUARE	7"	2'-0"
3' SQUARE	7"	3'-0"
4' SQUARE	7"	4'-0"
5' SQUARE	8"	5'-0"
6' SQUARE	9"	6'-0"



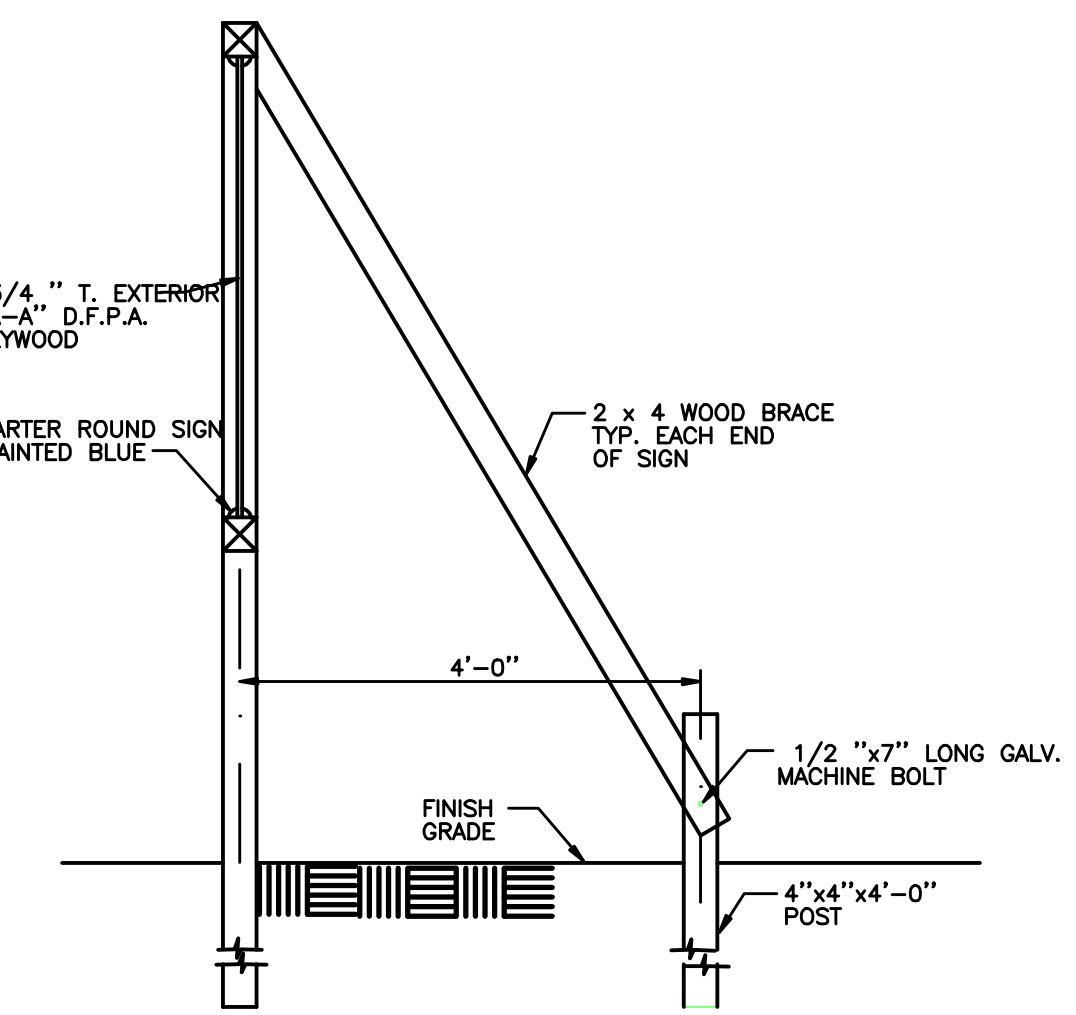
### TYPE B STORM SEWER MANHOLE

MAX. PIPE SIZE 78"  
(TYPEBMH)

### "Y" INLET DETAILS



FRONT ELEVATION



SIDE ELEVATION/SECTION

### CONSTRUCTION SIGN

These plans and related specifications were prepared for construction of this specific project only. Reuse of these documents is not permitted without written authorization of Birkhoff, Hendricks, & Conway, L.L.P.

This record drawing is a compilation of the sealed engineering drawing for this project; modified by addenda, change orders and information furnished by the contractor. The information shown on the record drawings that was provided by the contractor or others not associated with the design engineer cannot be verified for accuracy or completeness. This original sealed drawings are on file at the offices of Birkhoff, Hendricks & Conway, L.L.P.

BY MH DATE 4/25/09

THESE DOCUMENTS ARE FOR BIDDING, CONSTRUCTION, AND PERMIT PURPOSES.

DATE: 6/19/08



**CITY OF ROCKWALL, TEXAS**

**FANNIN STREET IMPROVEMENTS MISCELLANEOUS DETAILS**

**BIRKHOFF, HENDRICKS & CONWAY, L.L.P.**  
CONSULTING ENGINEERS  
Dallas, Texas

PROJECT ENGINEER: M.H.	PROJECT: 2005111	SHEET NO. 104
PROJECT TECHNICIAN: J.M.	DATE: June, 2008	