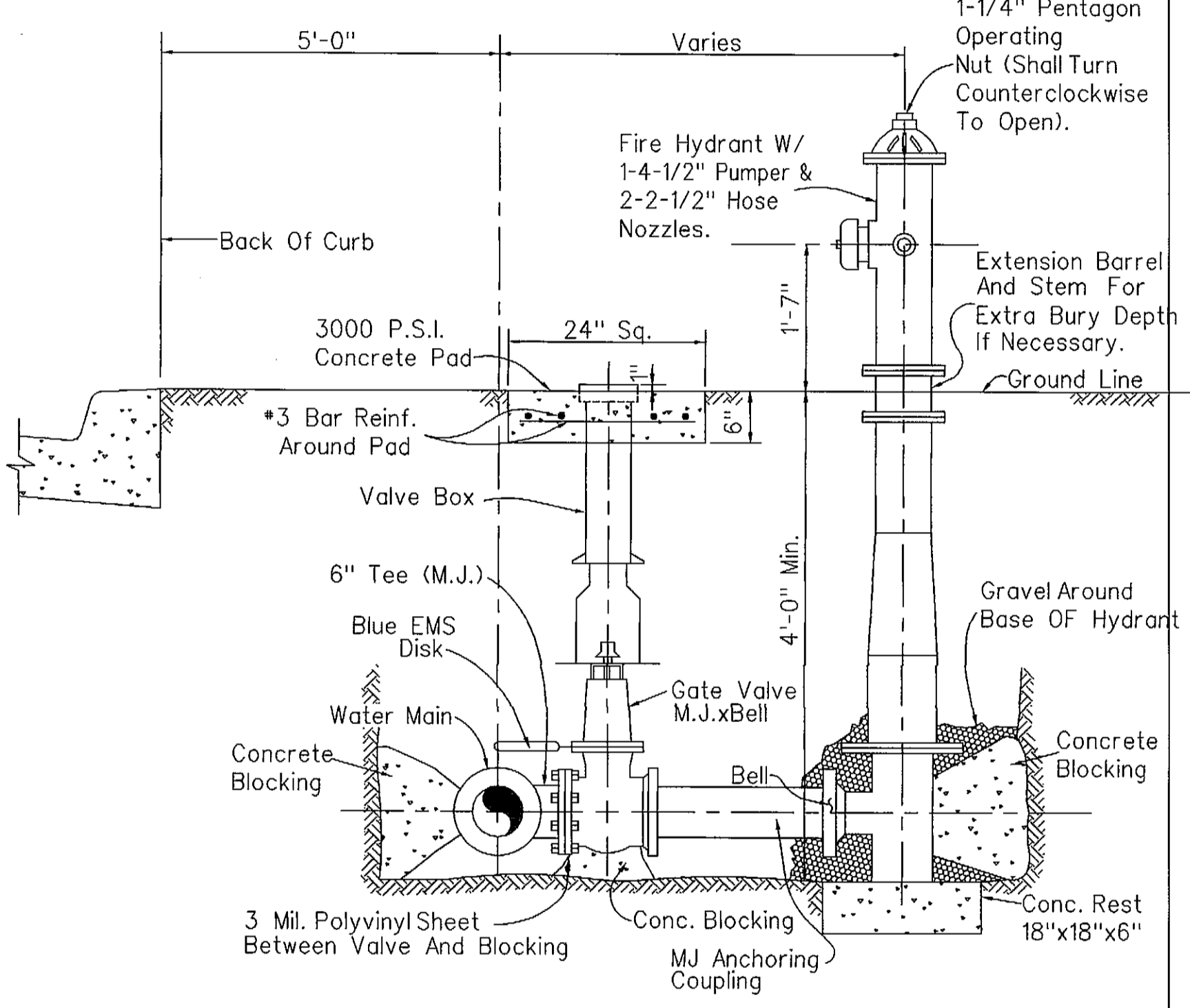
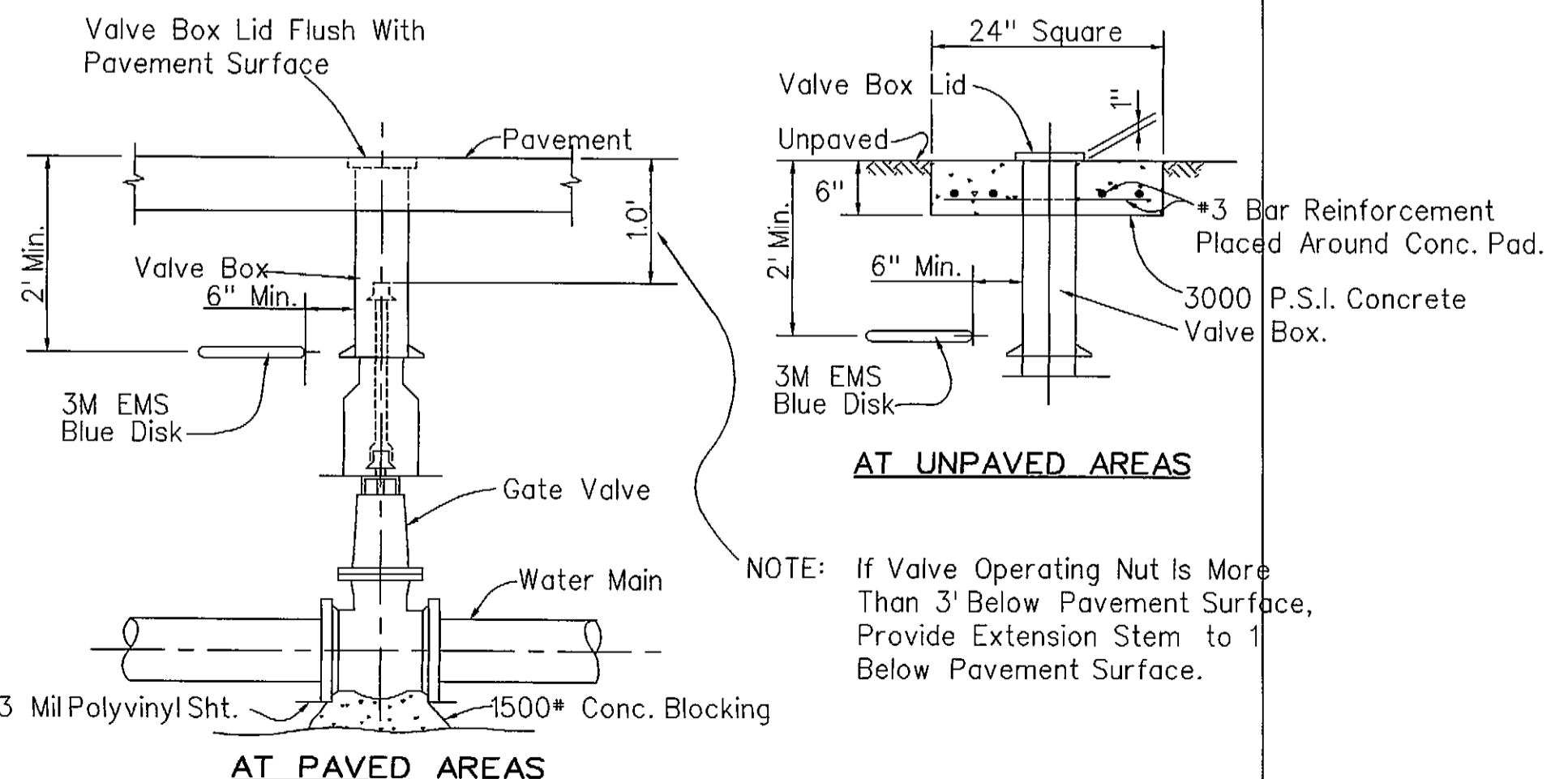


PLAN VIEW
Not To Scale

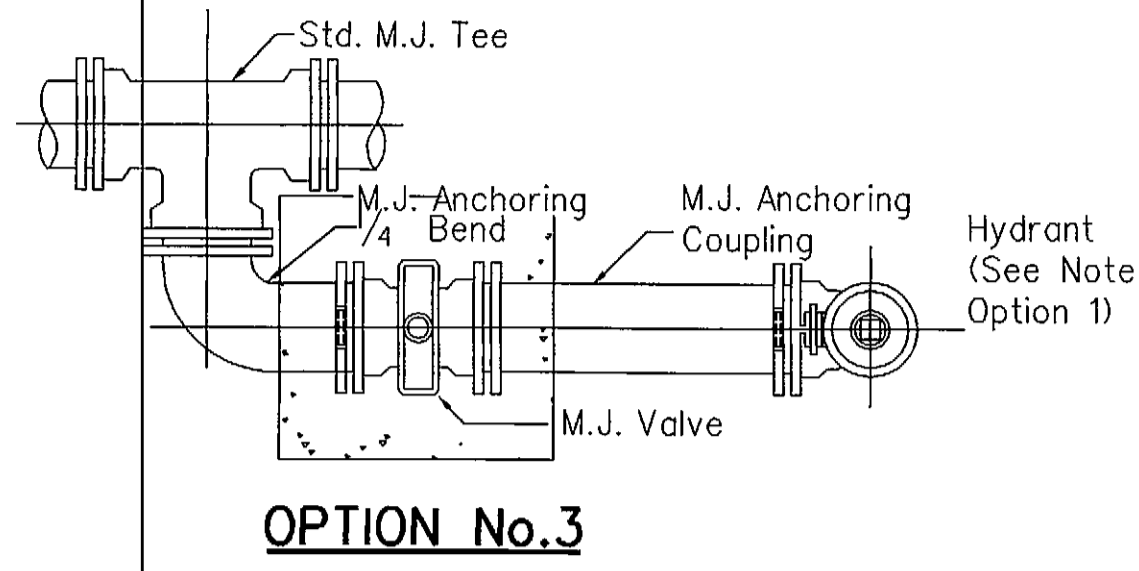


TYPICAL FIRE HYDRANT INSTALLATION
Not To Scale

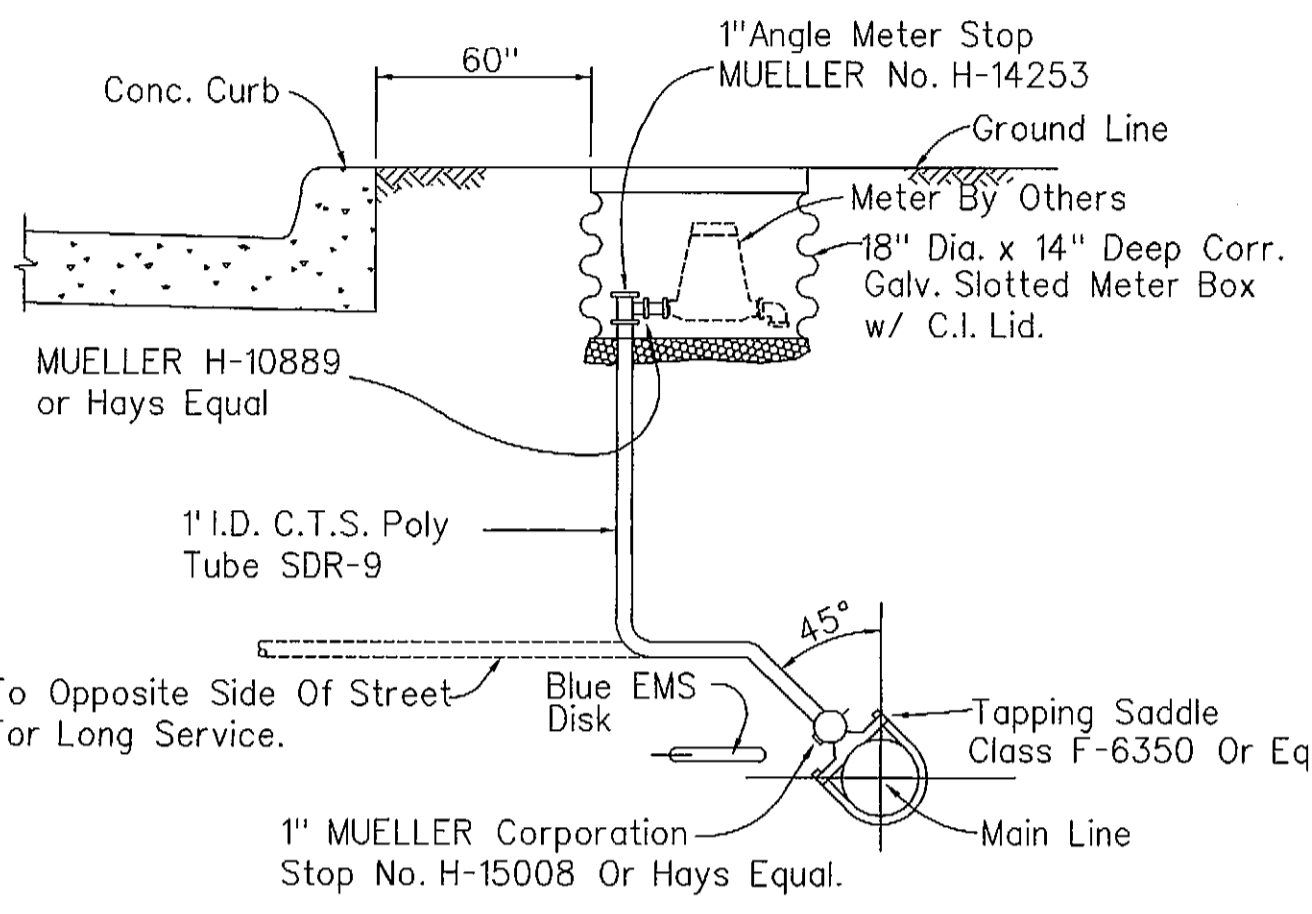
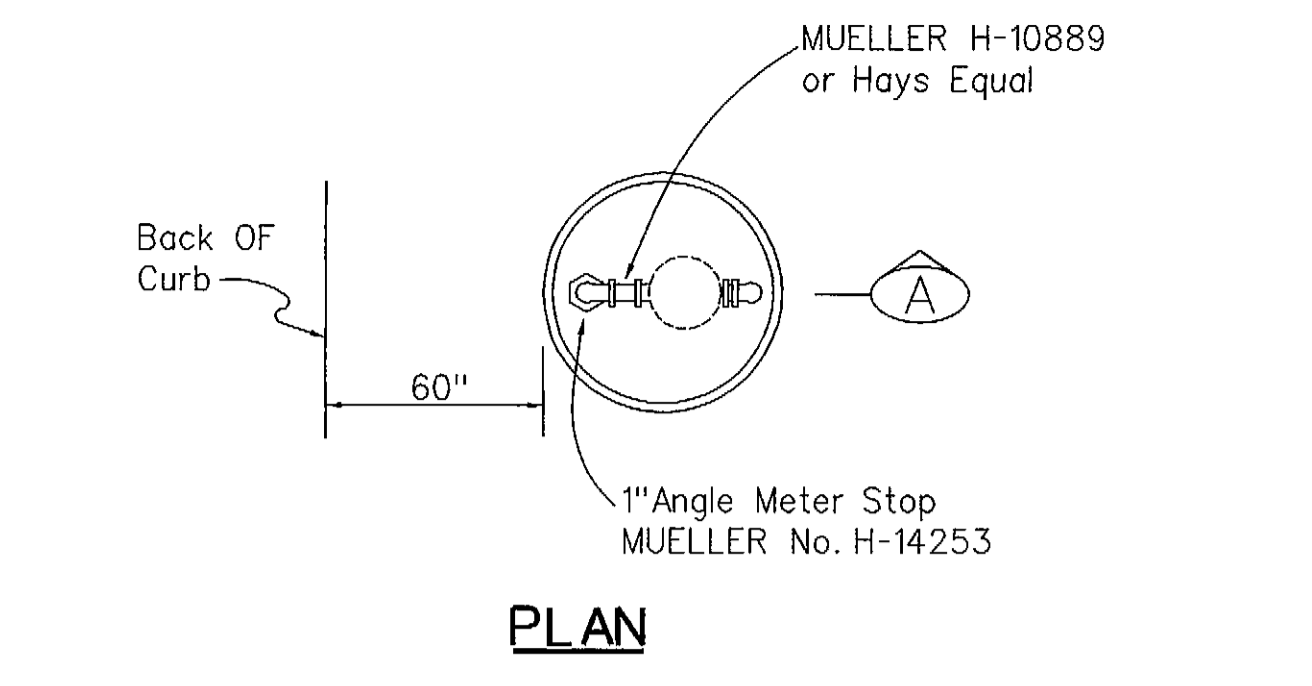


TYPICAL GATE VALVE AND BOX EXTENSION STEM DETAIL
Not To Scale

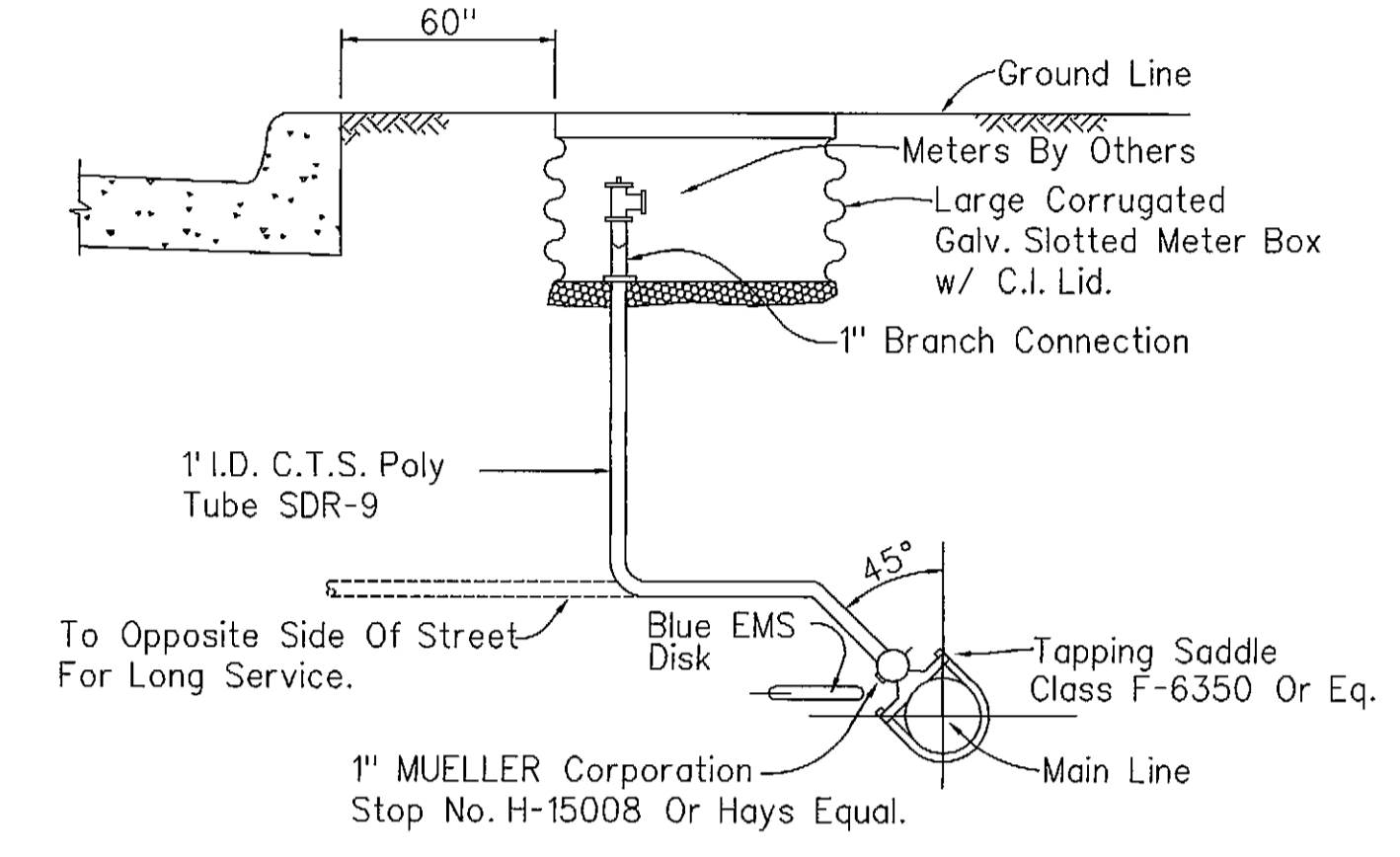
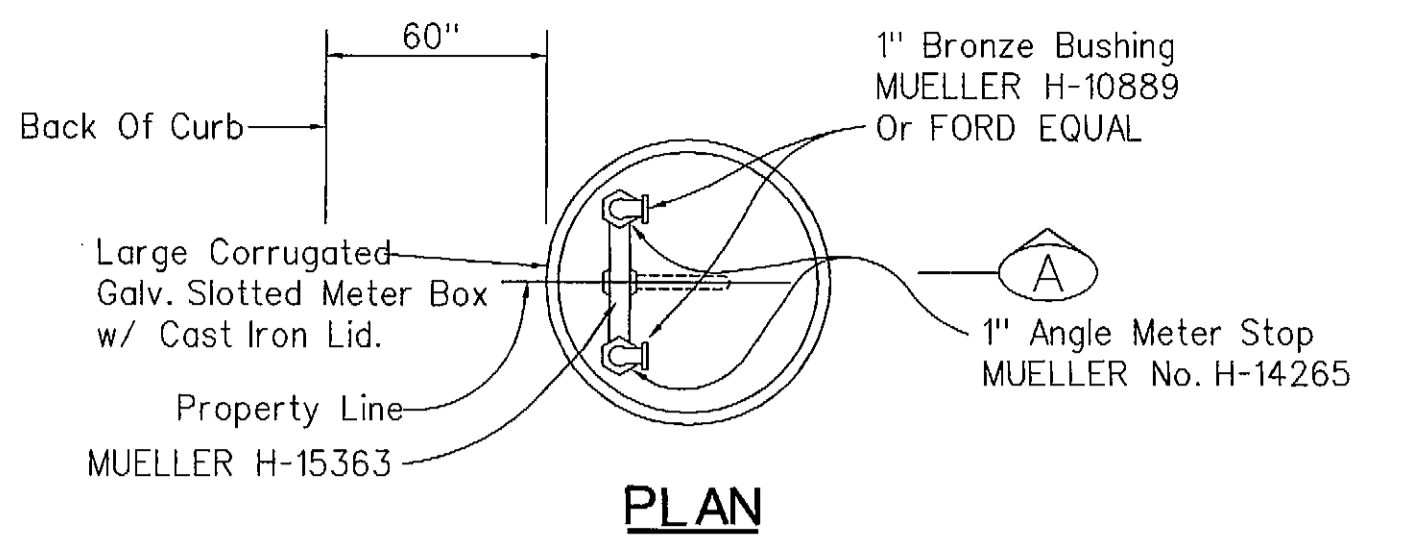
NOTE: If Valve Operating Nut Is More Than 3' Below Pavement Surface, Provide Extension Stem to 1' Below Pavement Surface.



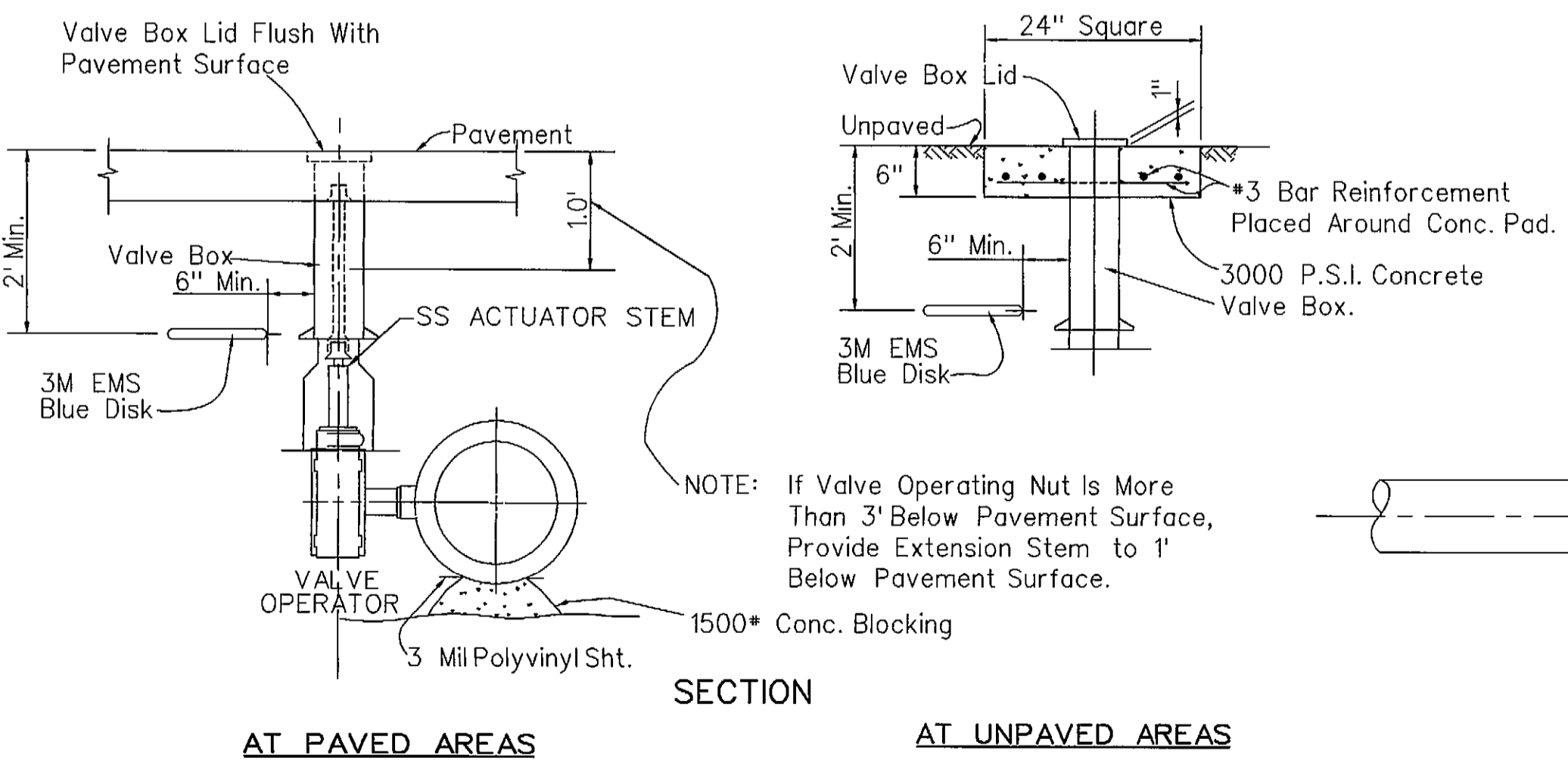
OPTION No.3



SINGLE SERVICE CONNECTION
Not To Scale

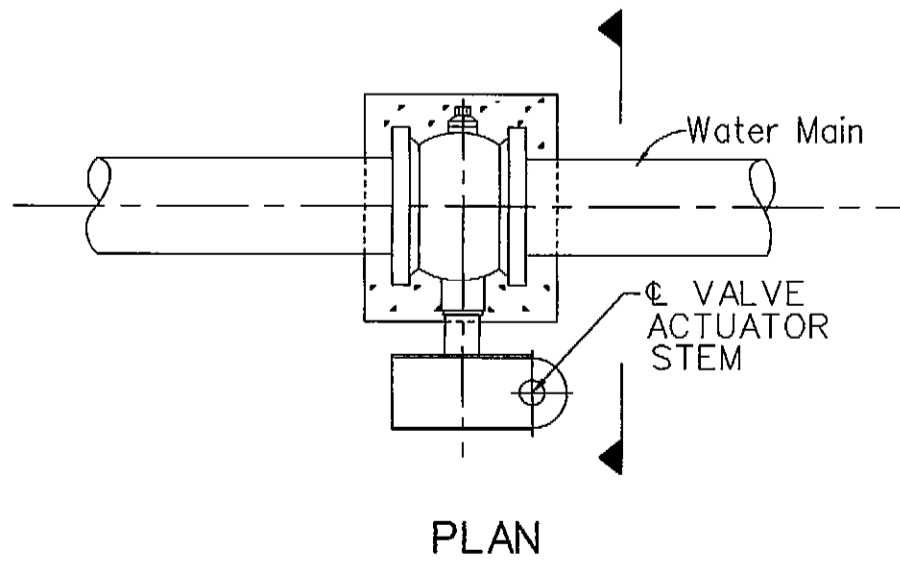


DOUBLE SERVICE CONNECTION
Not To Scale

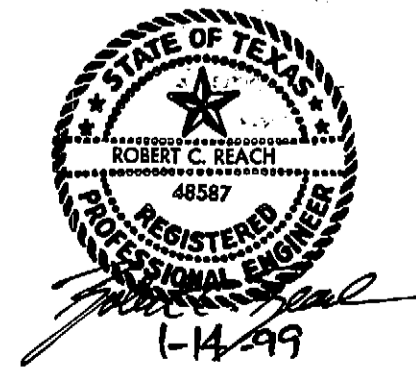


BUTTERFLY VALVE INSTALLATION AND EXTENSION STEM DETAIL
Not To Scale

NOTE: If Valve Operating Nut Is More Than 3' Below Pavement Surface, Provide Extension Stem to 1' Below Pavement Surface.



RECORD DRAWING
 VERIFIED BY *Veronique*
 DATE 4-20-00



CITY OF ROCKWALL
 "THE NEW HORIZON"

UTILITY RELOCATIONS FOR FM 740 WIDENING

STANDARD WATER DETAILS

TurnerCollie & Braden Inc.
 ENGINEERS • PLANNERS • PROJECT MANAGERS

Unit	A103	Scale	N. T. S.	Date	JANUARY 1999
Designed	TCB	Checked	V.S.	Job No.	15-97925-100
Drawn	TCB	Approved	<i>Rel</i>	SHEET	29 OF 31