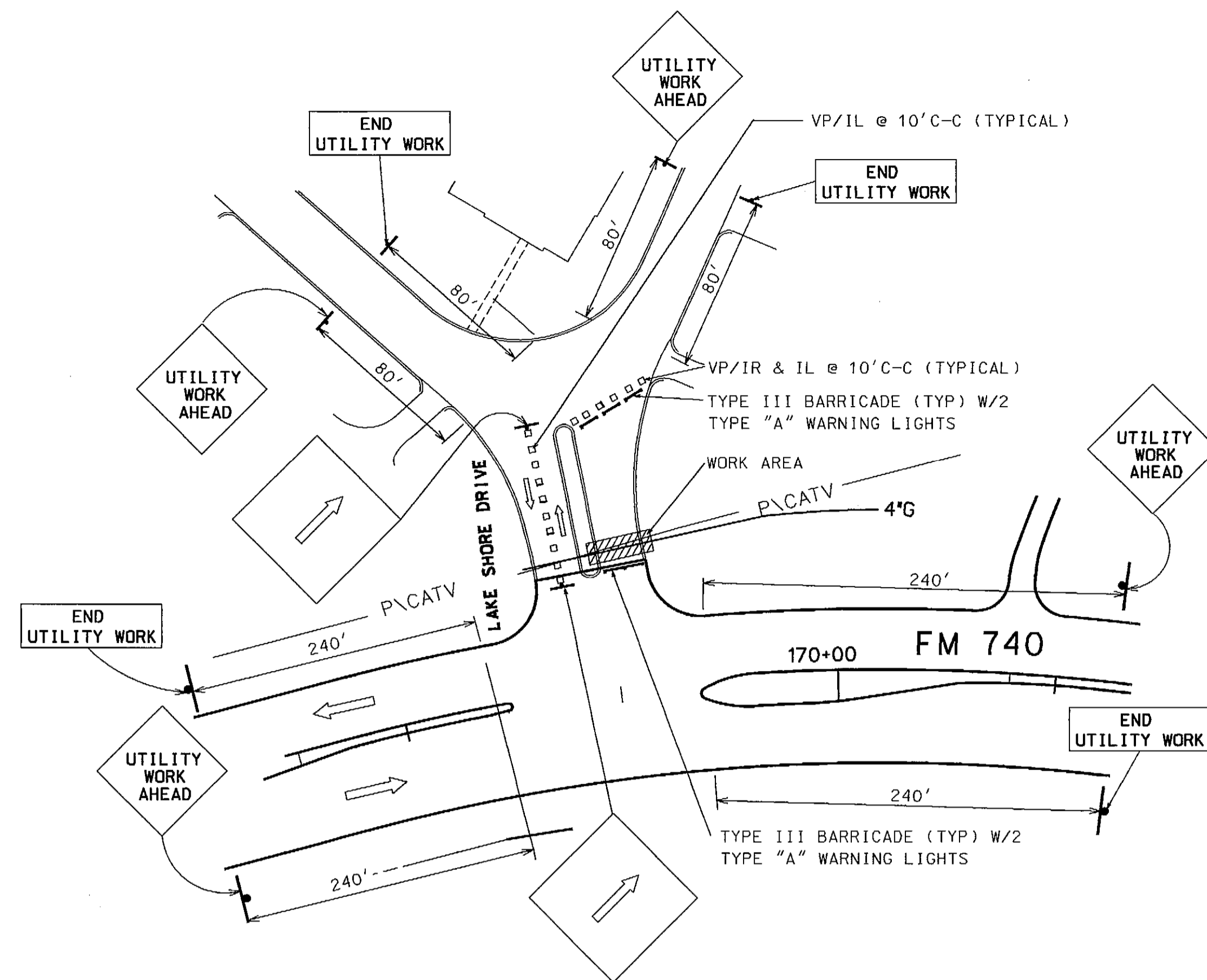
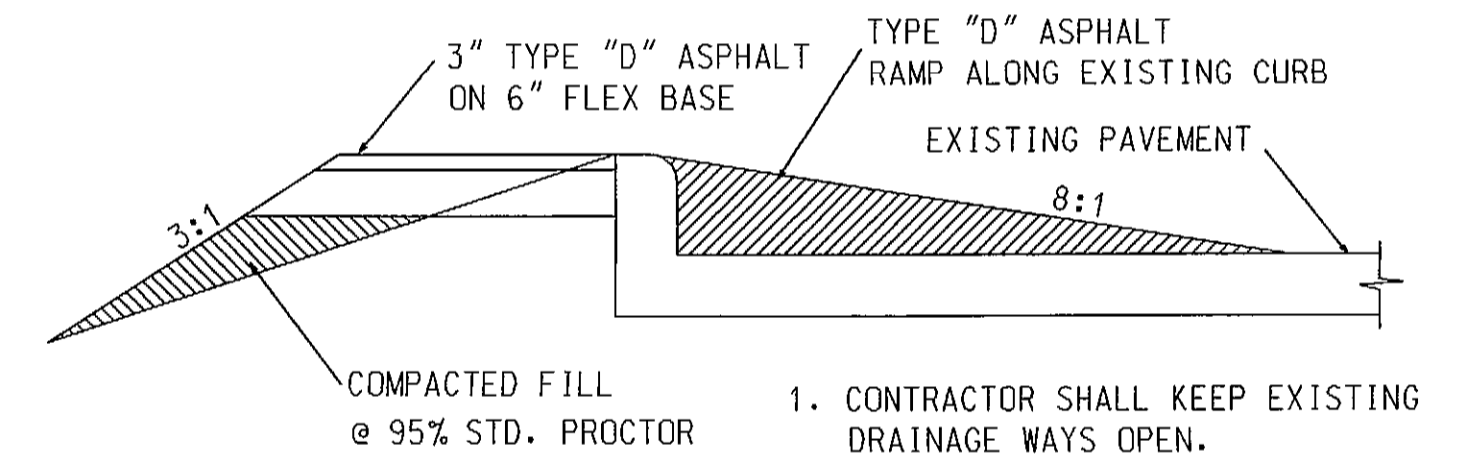


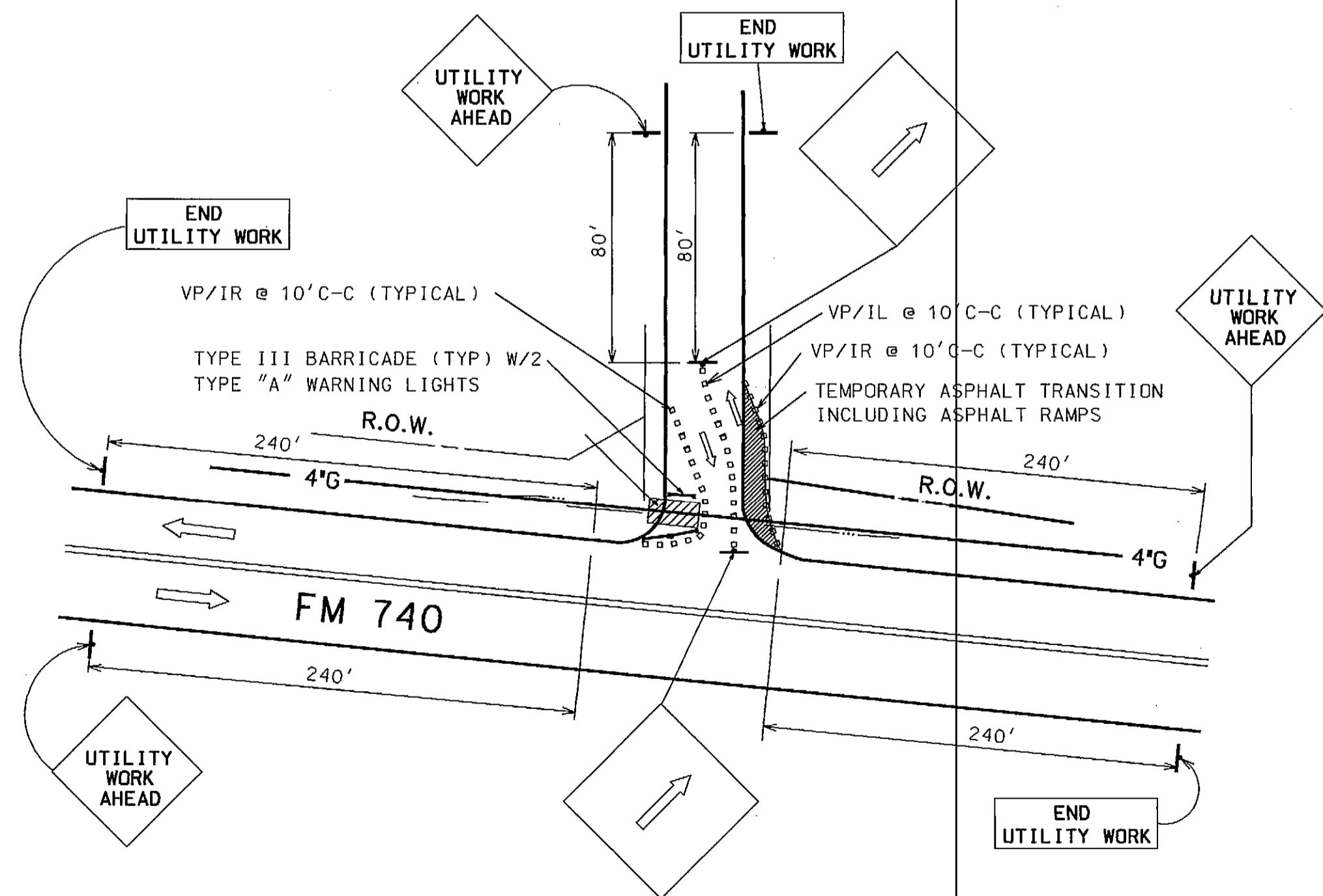
**TRAFFIC CONTROL DETAIL "E"**  
**STAGE 1**  
 N.T.S.



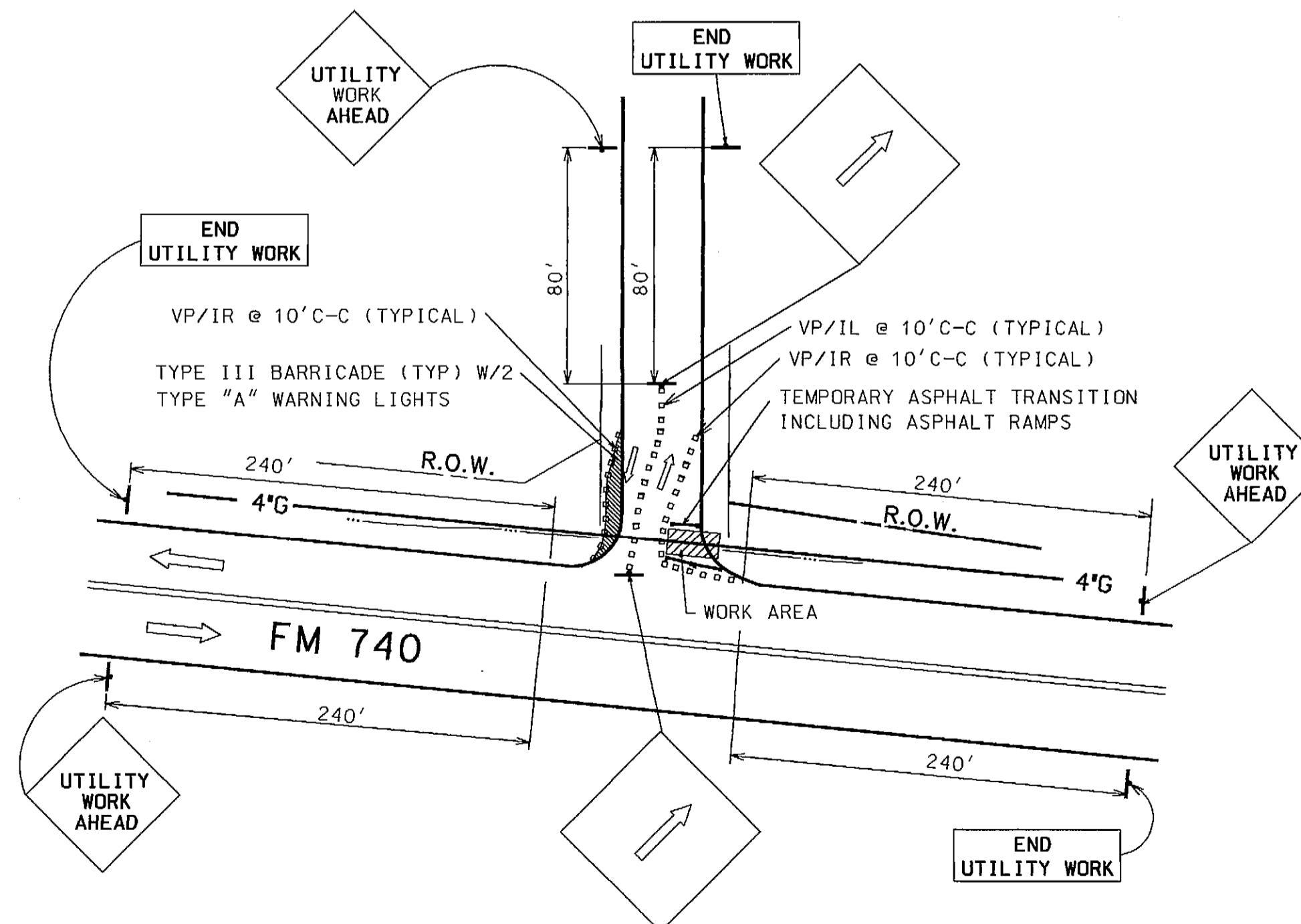
**TRAFFIC CONTROL DETAIL "E"**  
**STAGE 2**  
 N.T.S.



**TEMPORARY ASPHALT**  
**TYPICAL SECTION**  
 N.T.S.



**TRAFFIC CONTROL DETAIL "F"**  
**STAGE 1**  
 N.T.S.



**TRAFFIC CONTROL DETAIL "F"**  
**STAGE 2**  
 N.T.S.

**RECORD DRAWING**  
 VERIFIED BY: *Veronique Lino*  
 DATE: 4-20-00



**CITY OF ROCKWALL**  
 "THE NEW HORIZON"

UTILITY RELOCATIONS  
 FOR FM 740 WIDENING

TRAFFIC CONTROL DETAILS  
 SHEET 2

**TurnerCollie & Braden Inc.**  
 ENGINEERS • PLANNERS • PROJECT MANAGERS

Unit	A103	Scale	Horz. Vert.	Date	JANUARY 1999
Designed	LJB	Checked	V.S.	Job No.	15-97925-100
Drawn	LJB	Approved	<i>[Signature]</i>		SHEET 27 of 31