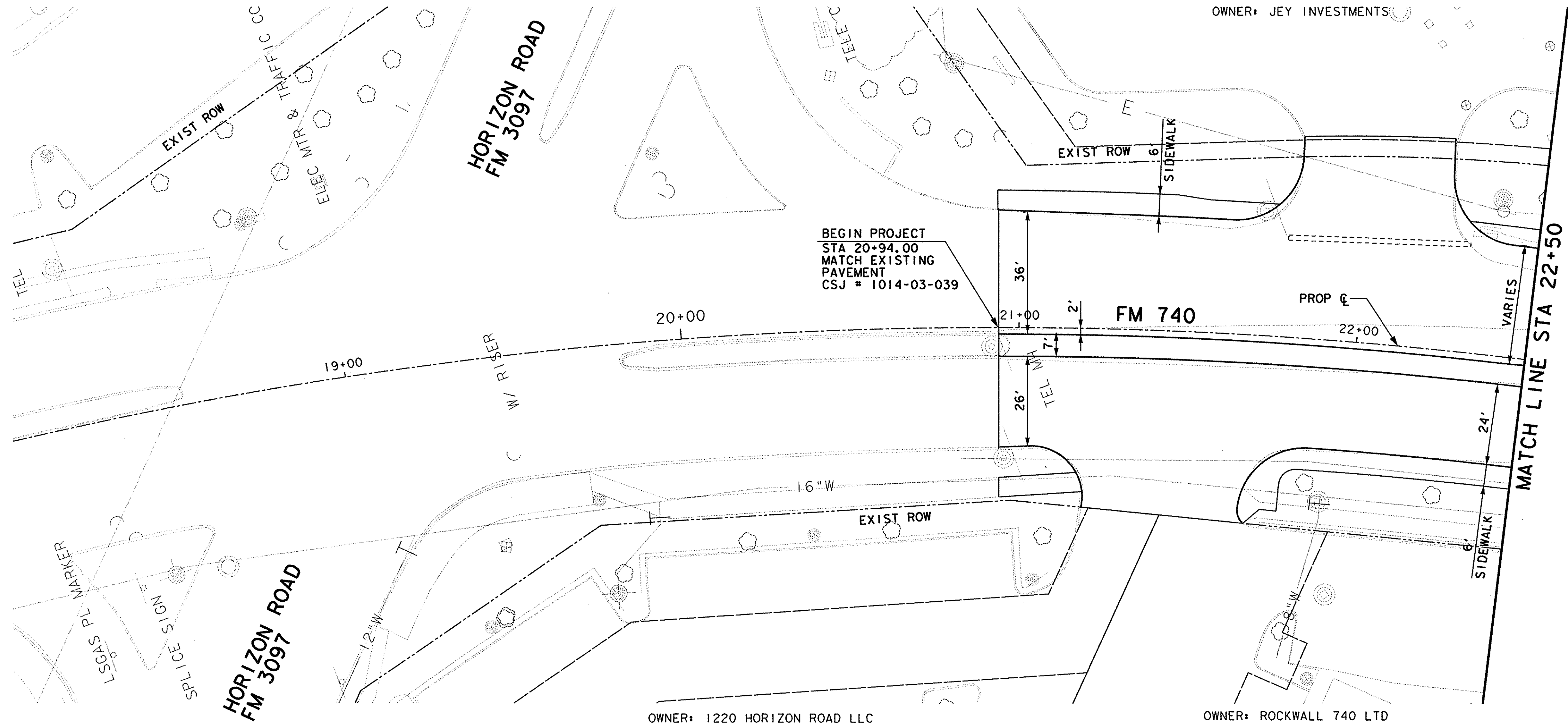
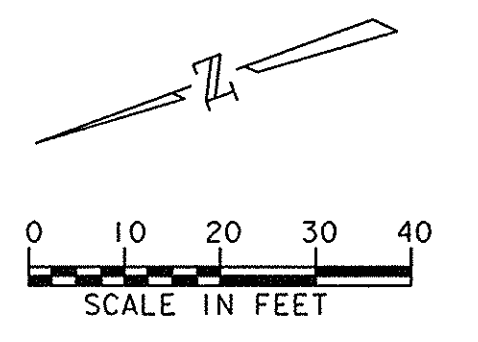


OWNER: JEY INVESTMENTS



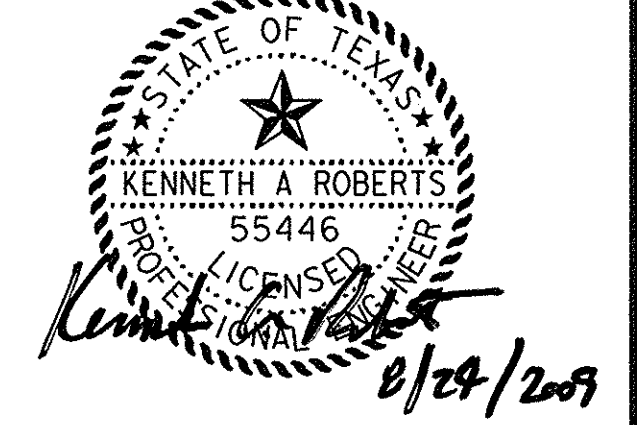
BEGIN PROJECT
STA 20+94.00
MATCH EXISTING
PAVEMENT
CSJ # 1014-03-039

OWNER: 1220 HORIZON ROAD LLC

OWNER: ROCKWALL 740 LTD

NO RELOCATIONS
ON THIS SHEET
FOR REFERENCE ONLY

THE SEAL APPEARING ON THIS DOCUMENT WAS AUTHORIZED BY KENNETH A ROBERTS, P.E. 55446 ON AUGUST 24, 2009



FIRM REGISTRATION NO. F-761

RECORD DRAWINGS AUGUST 13, 2010
THIS RECORD DOCUMENT HAS BEEN PREPARED BASED ON INFORMATION PROVIDED BY OTHERS. THE CONSULTANT HAS NOT VERIFIED THE ACCURACY AND/OR COMPLETENESS OF THIS INFORMATION AND SHALL NOT BE RESPONSIBLE FOR ANY ERRORS OR OMISSIONS THAT MAY BE INCORPORATED AS A RESULT OF ERRONEOUS INFORMATION PROVIDED BY OTHERS.

FM 740

WATER PLAN & PROFILE

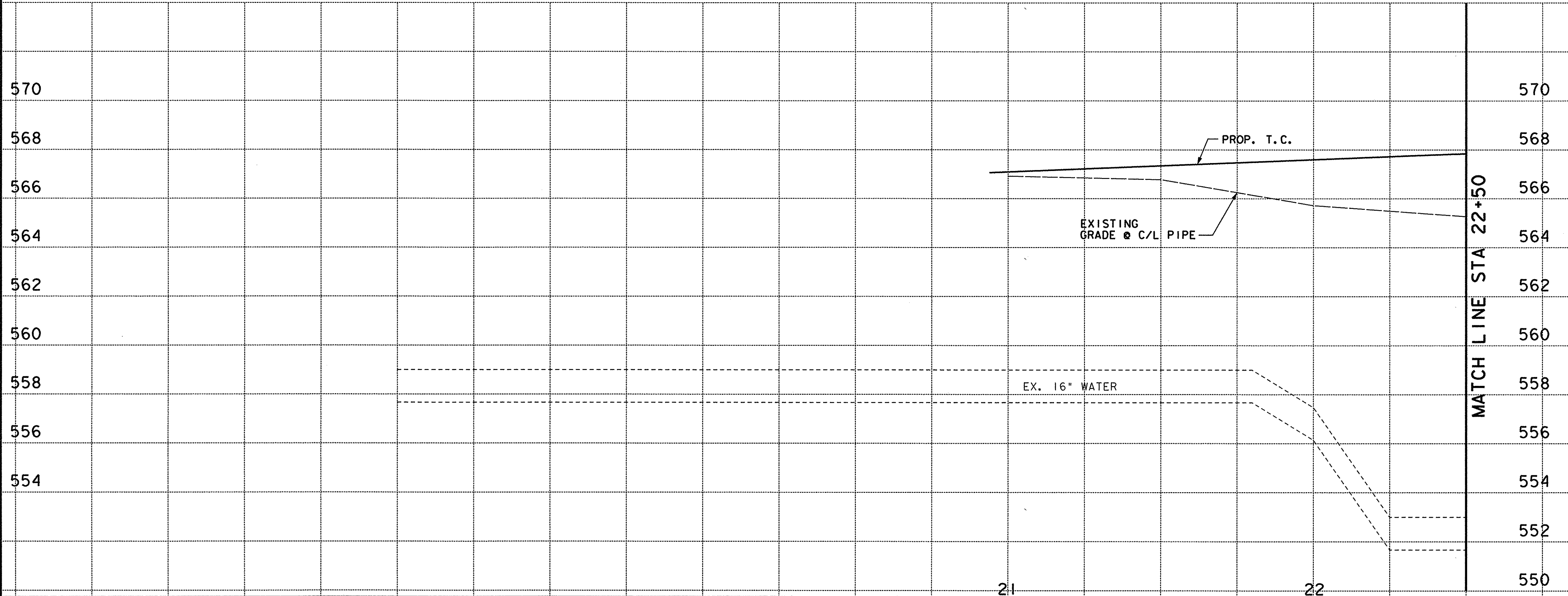
BEGIN PROJECT TO
STA 22+50

HORIZON ROAD TO WELLINGTON LANE

HUITT-ZOLLARS Huitt-Zollars, Inc. Reg. No. F-761
3131 McKinney Avenue, Suite 600
Dallas, Texas 75204-2489
Phone (214) 871-3311 Fax (214) 871-0757

CITY OF ROCKWALL, TEXAS

DESIGN	DRAWN	APPR.	SCALE	DATE	PROJECT NO.	NO.
HZI	HZI	KAR	H: 1"=20' V: 1"=2.5'	AUGUST 2009	01-3713-01	8



USER: THERESSA
SCALE: SCALE=20.000000
FILE: V8HWITFULL.TBL

8/13/2010 10:58:55
I:\p\01\371301\dgn\371301\UWTO1.DGN