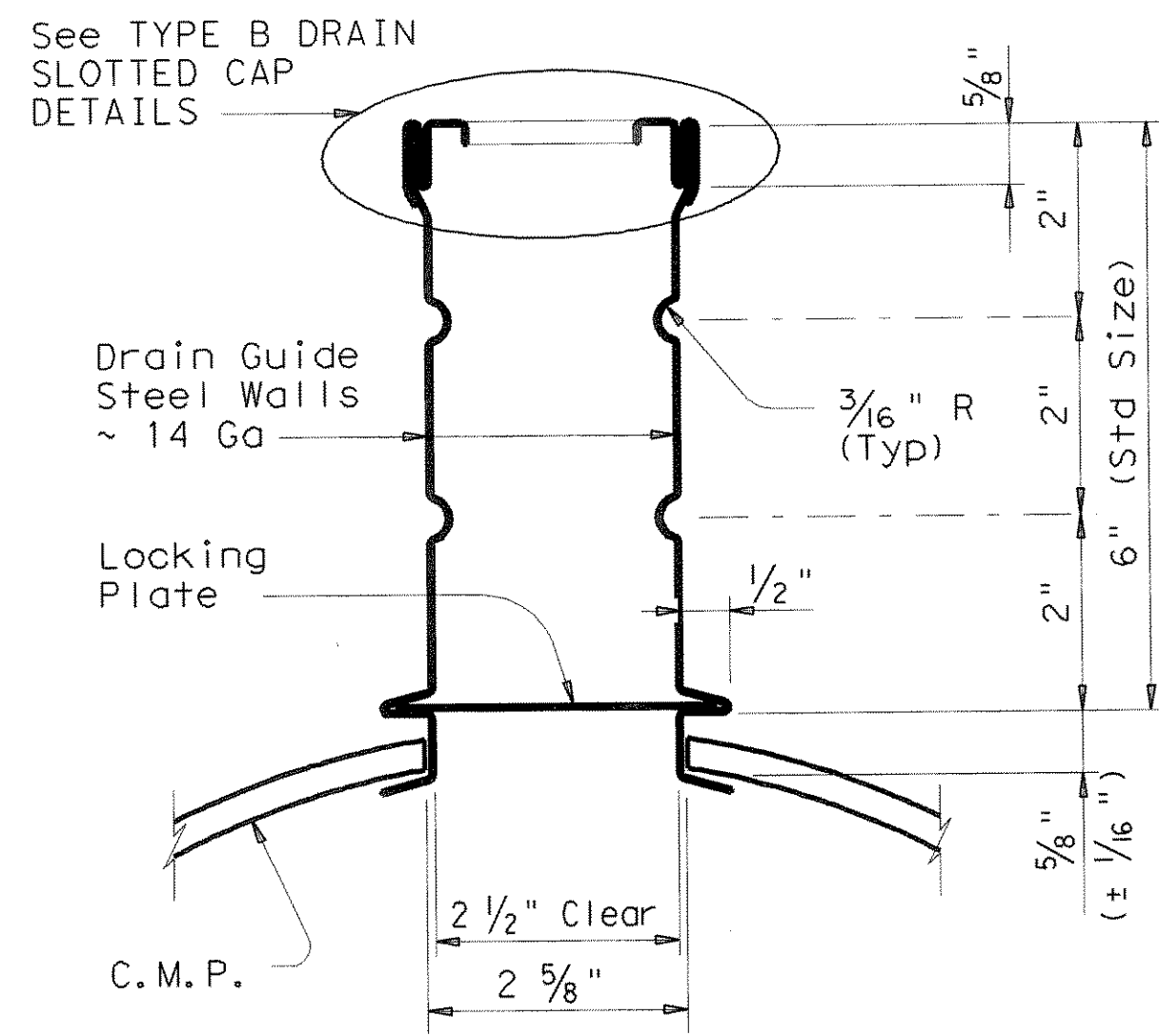
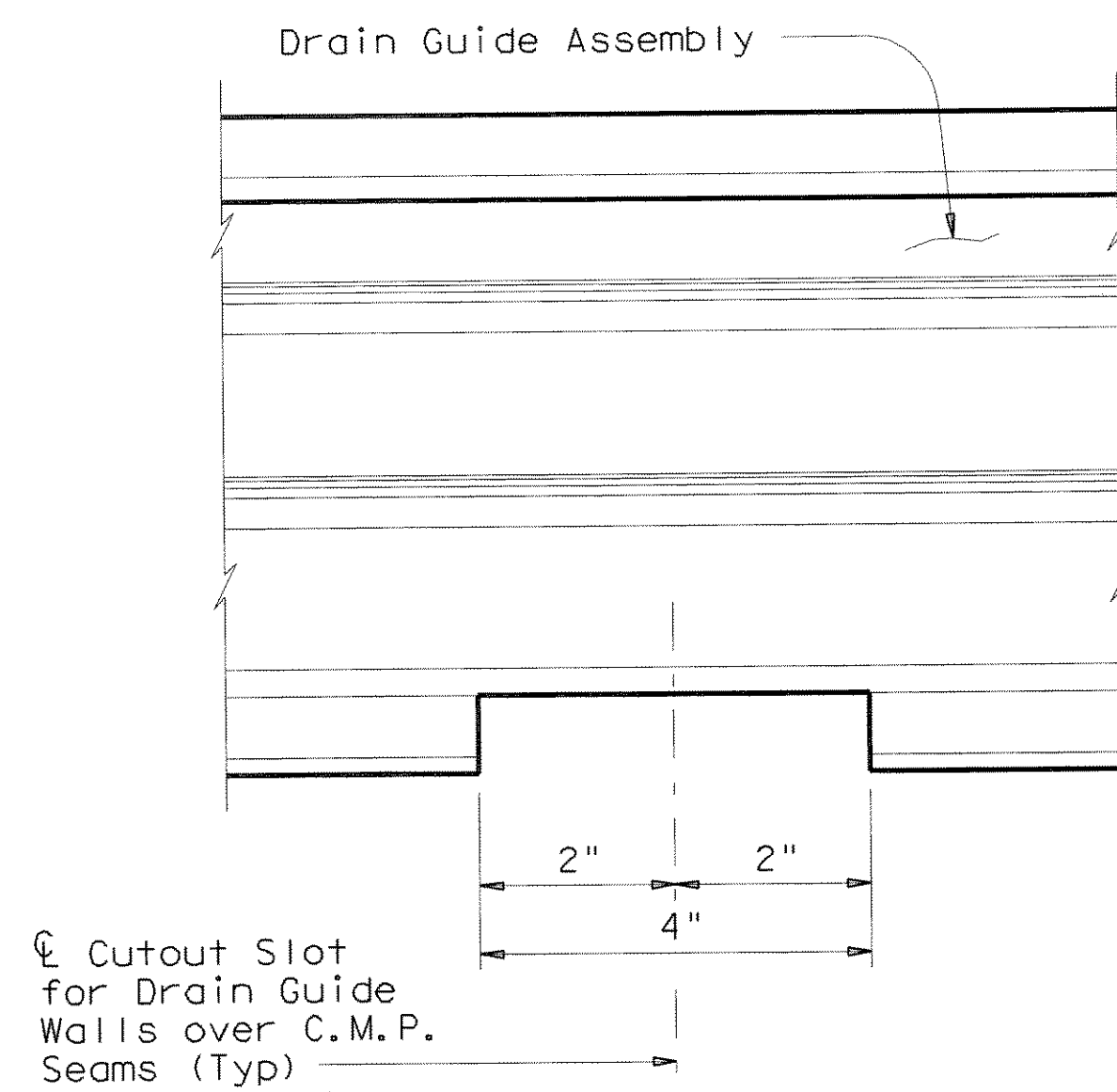


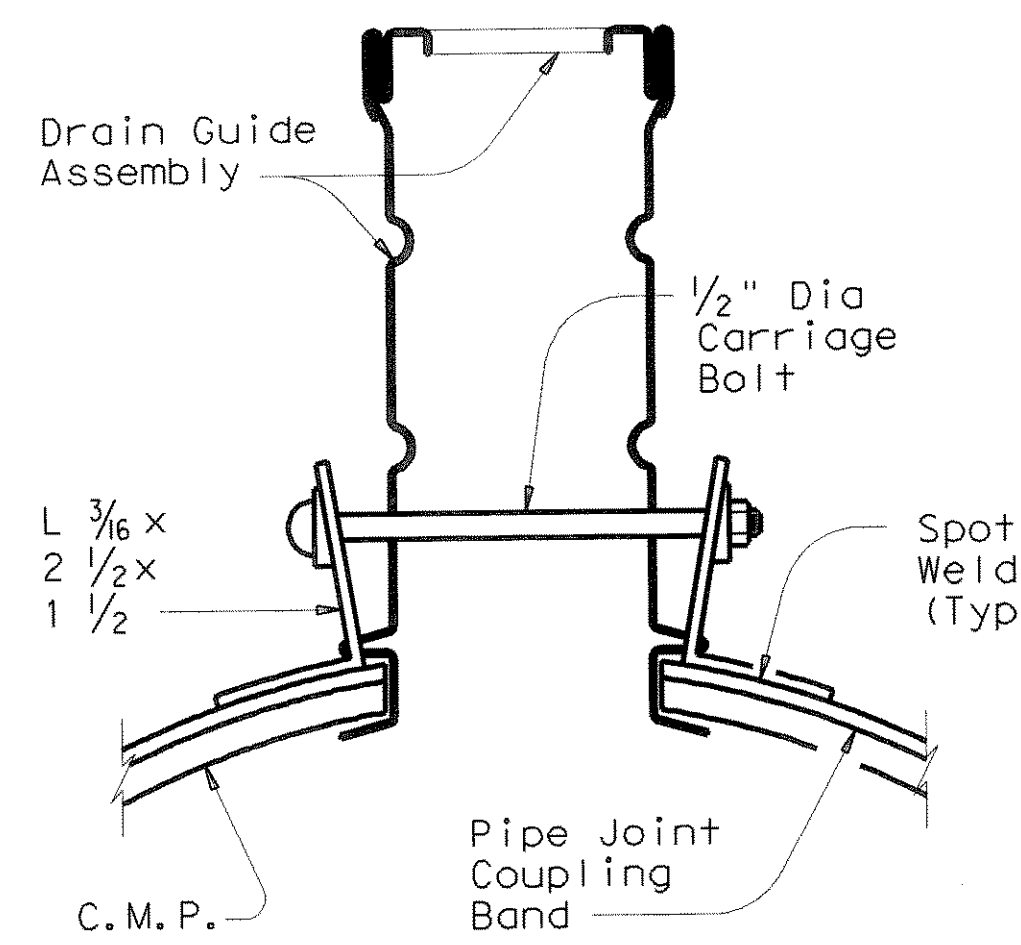
DISCLAIMER: The use of this standard is governed by the "Texas Engineering Practice Act". No warranty of any kind is made by TxDOT for any purpose whatsoever. TxDOT assumes no responsibility for the conversion of this standard to other formats or for incorrect results or damages resulting from its use.



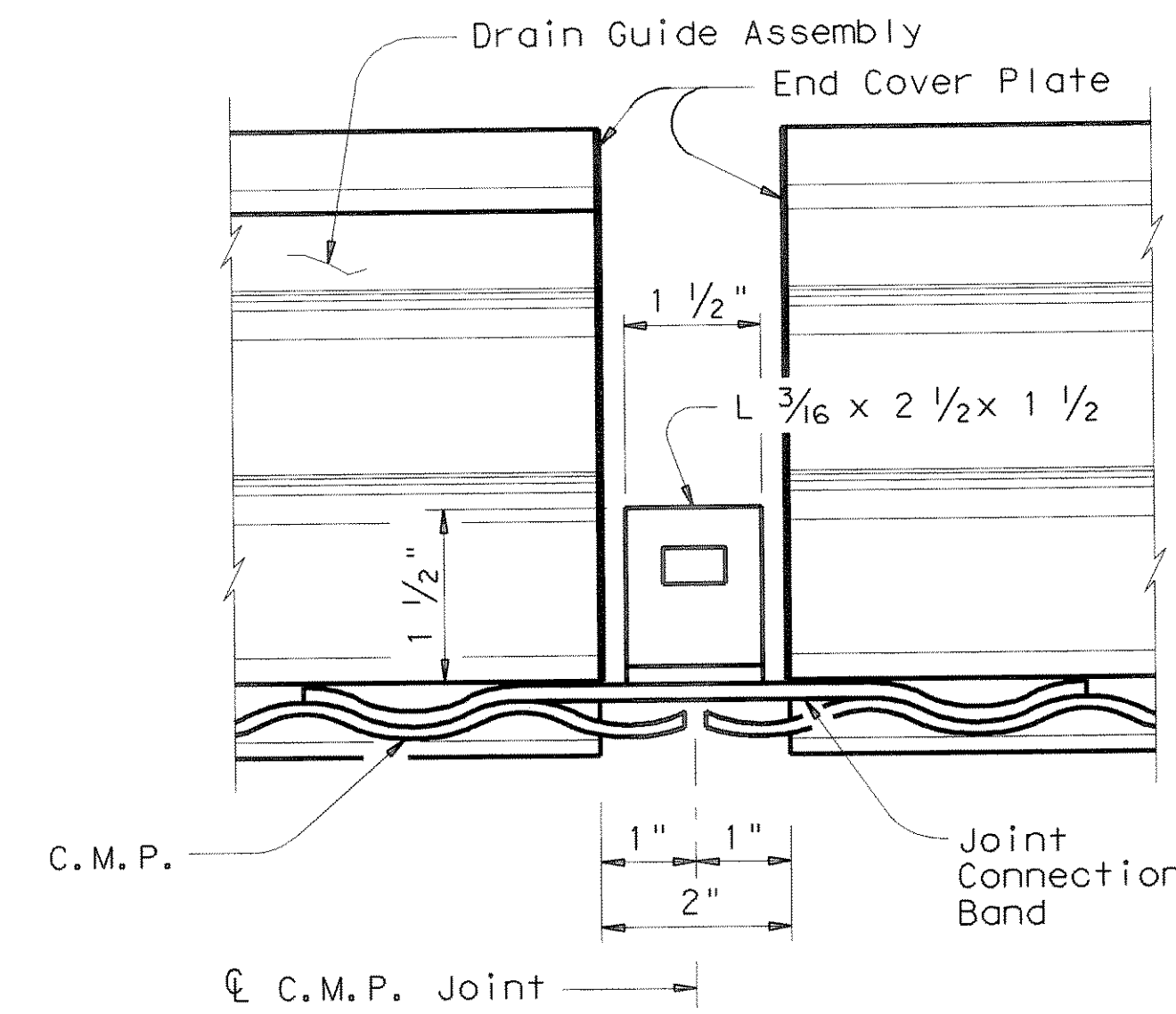
TYPE B DRAIN GUIDE DETAIL TRANSVERSE SECTION



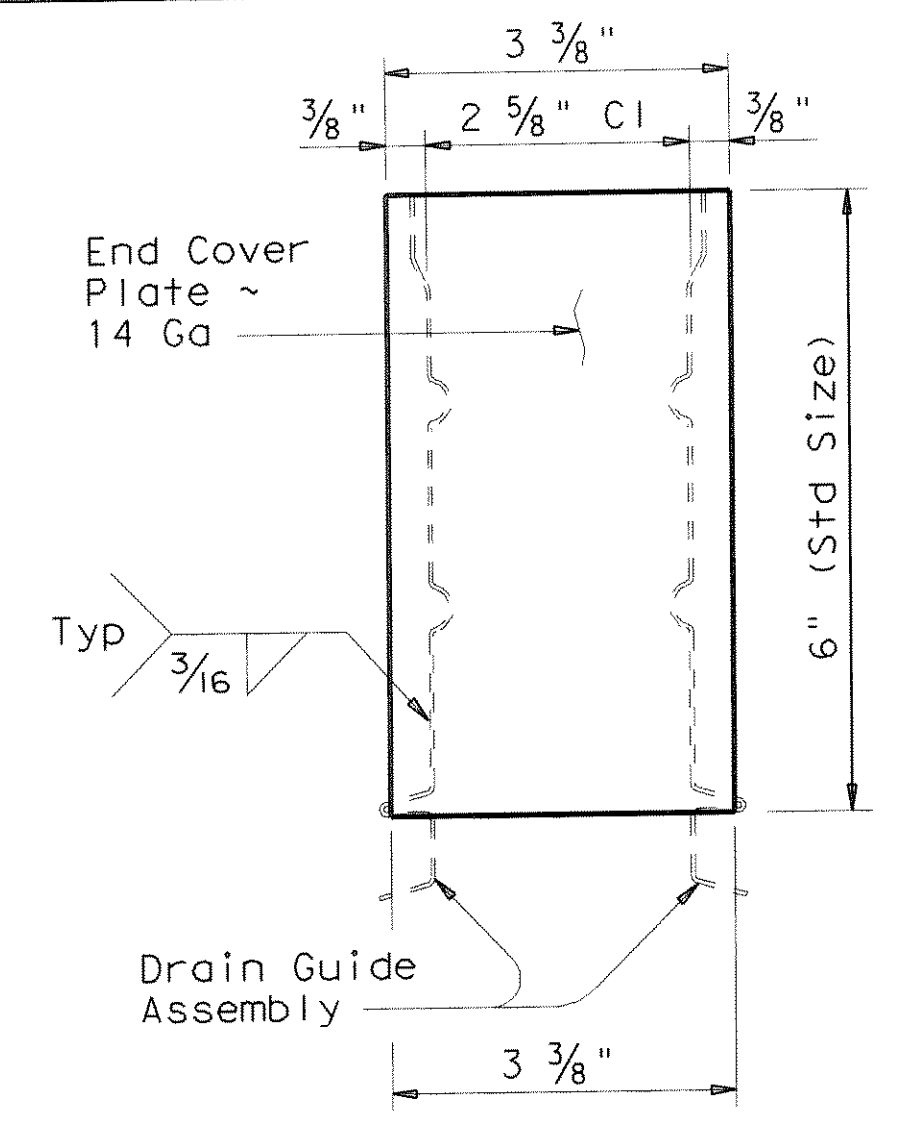
TYPE B DRAIN CUT OUT AT PIPE SEAM LONGITUDINAL SECTION



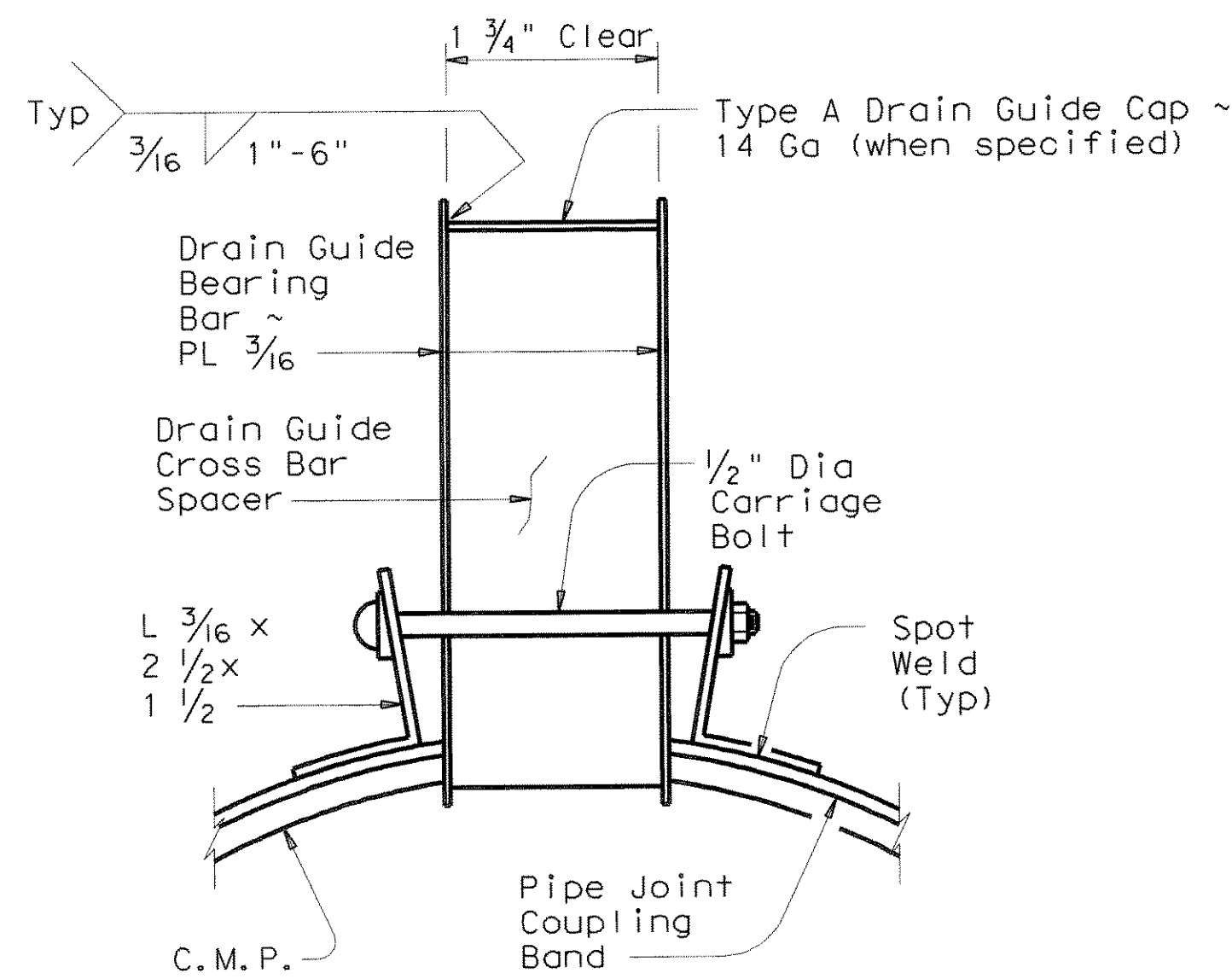
TYPE B DRAIN PIPE JOINT CONNECTION TRANSVERSE SECTION



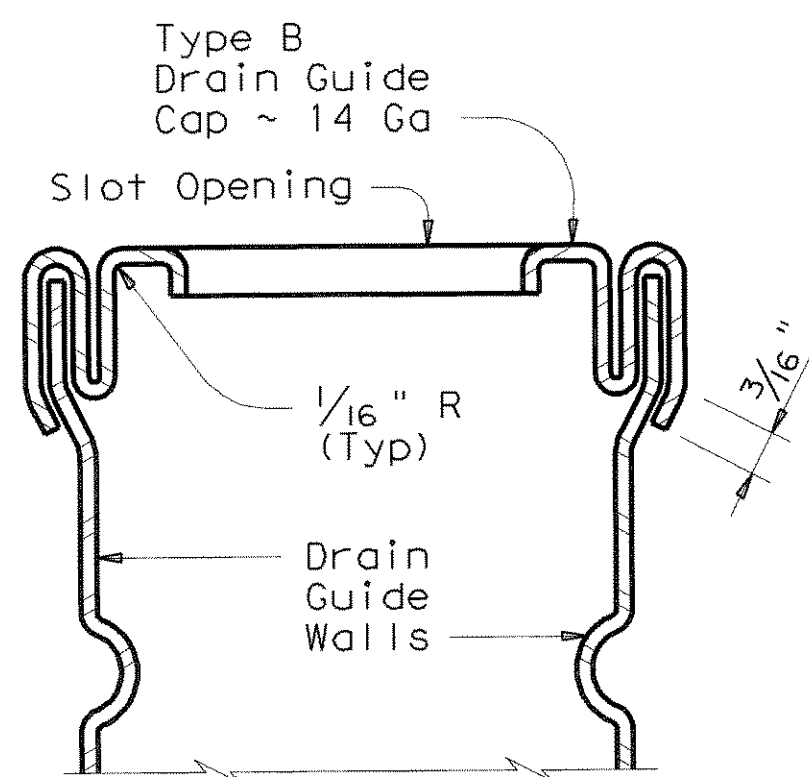
TYPE B DRAIN PIPE JOINT CONNECTION LONGITUDINAL SECTION



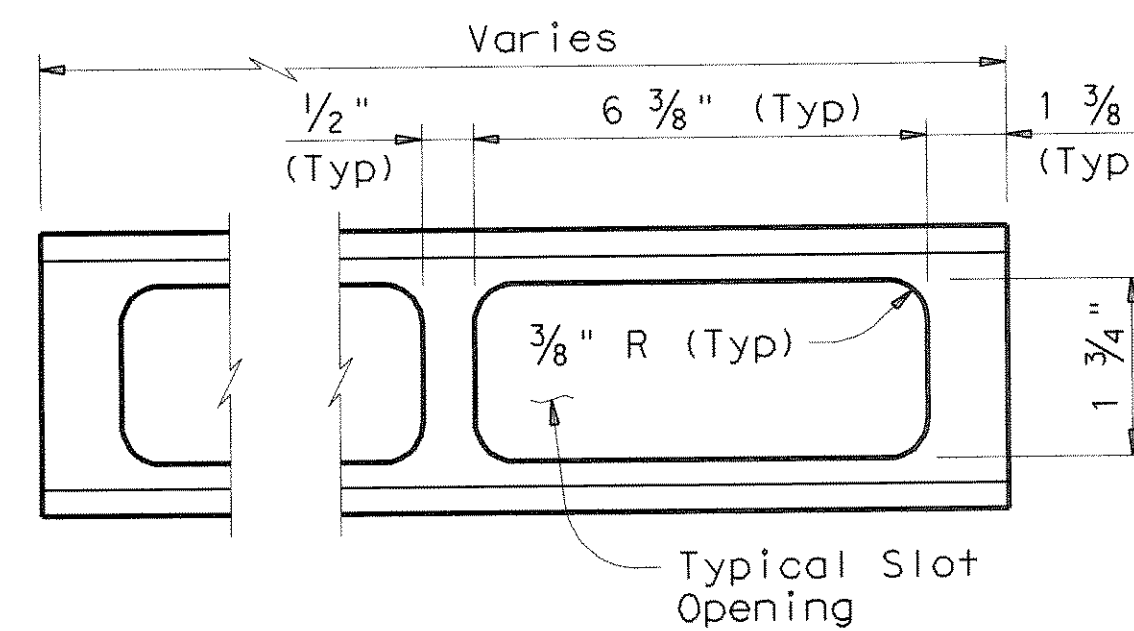
TYPE B DRAIN GUIDE END COVER PLATE TRANSVERSE SECTION



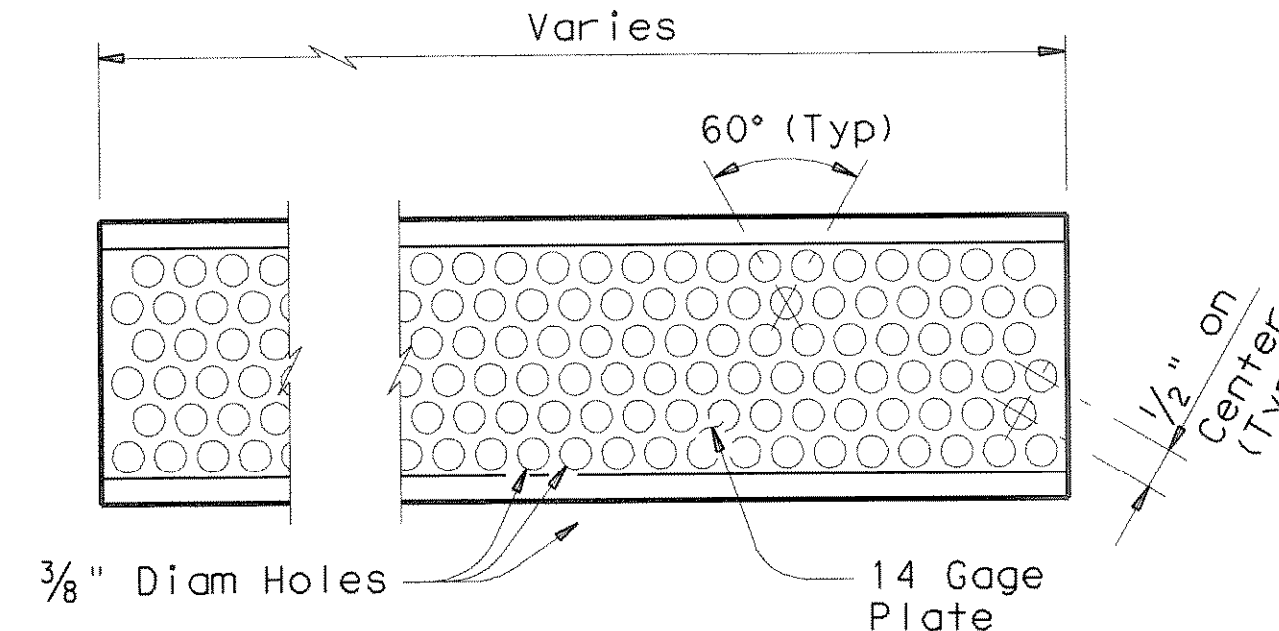
TYPE A DRAIN PIPE JOINT CONNECTION TRANSVERSE SECTION



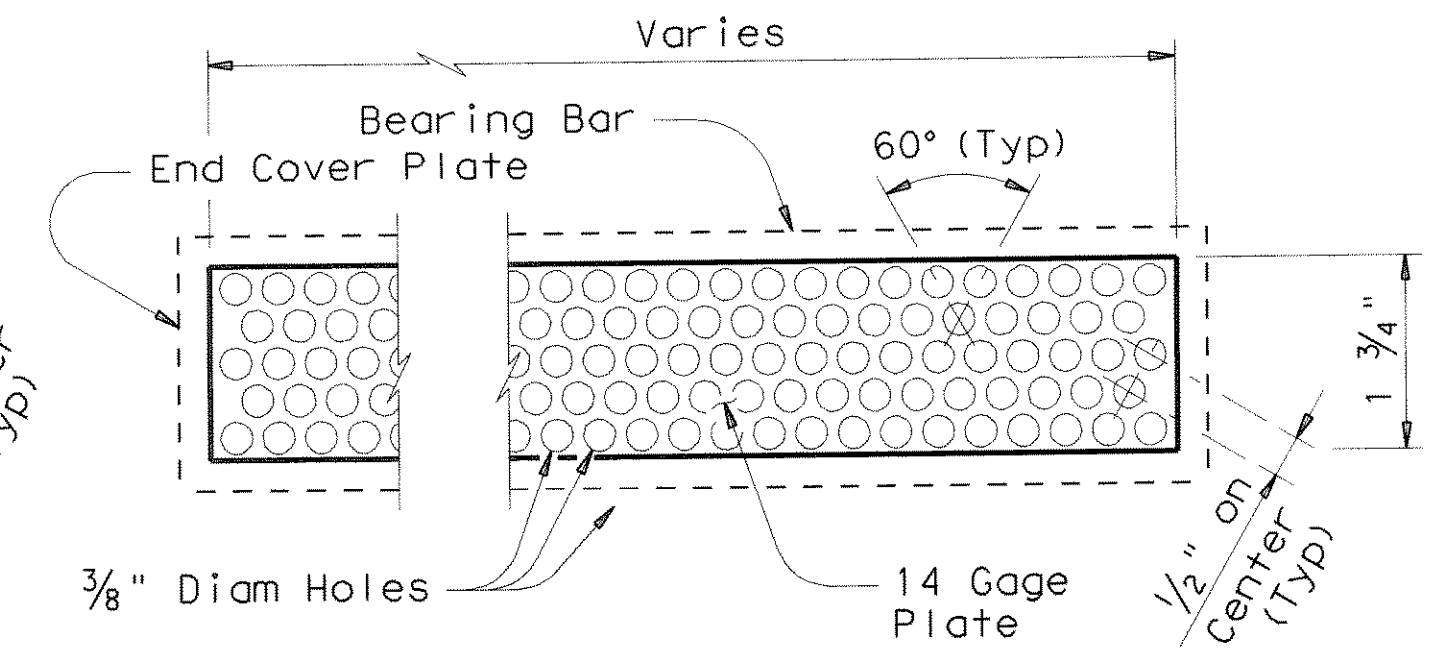
TYPE B DRAIN SLOTTED CAP DETAILS



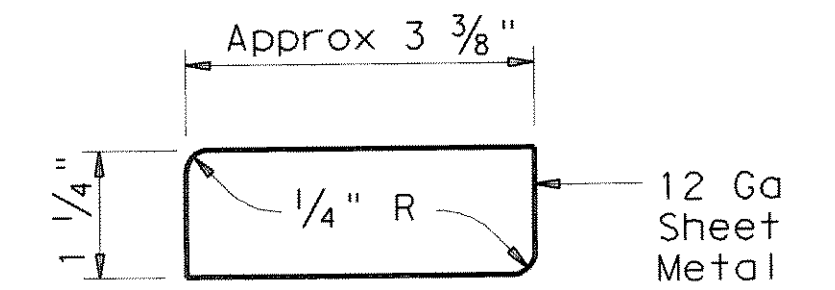
TYPE B DRAIN ROADWAY SLOTTED CAP PLAN



TYPE B DRAIN PEDESTRIAN CAP PLAN

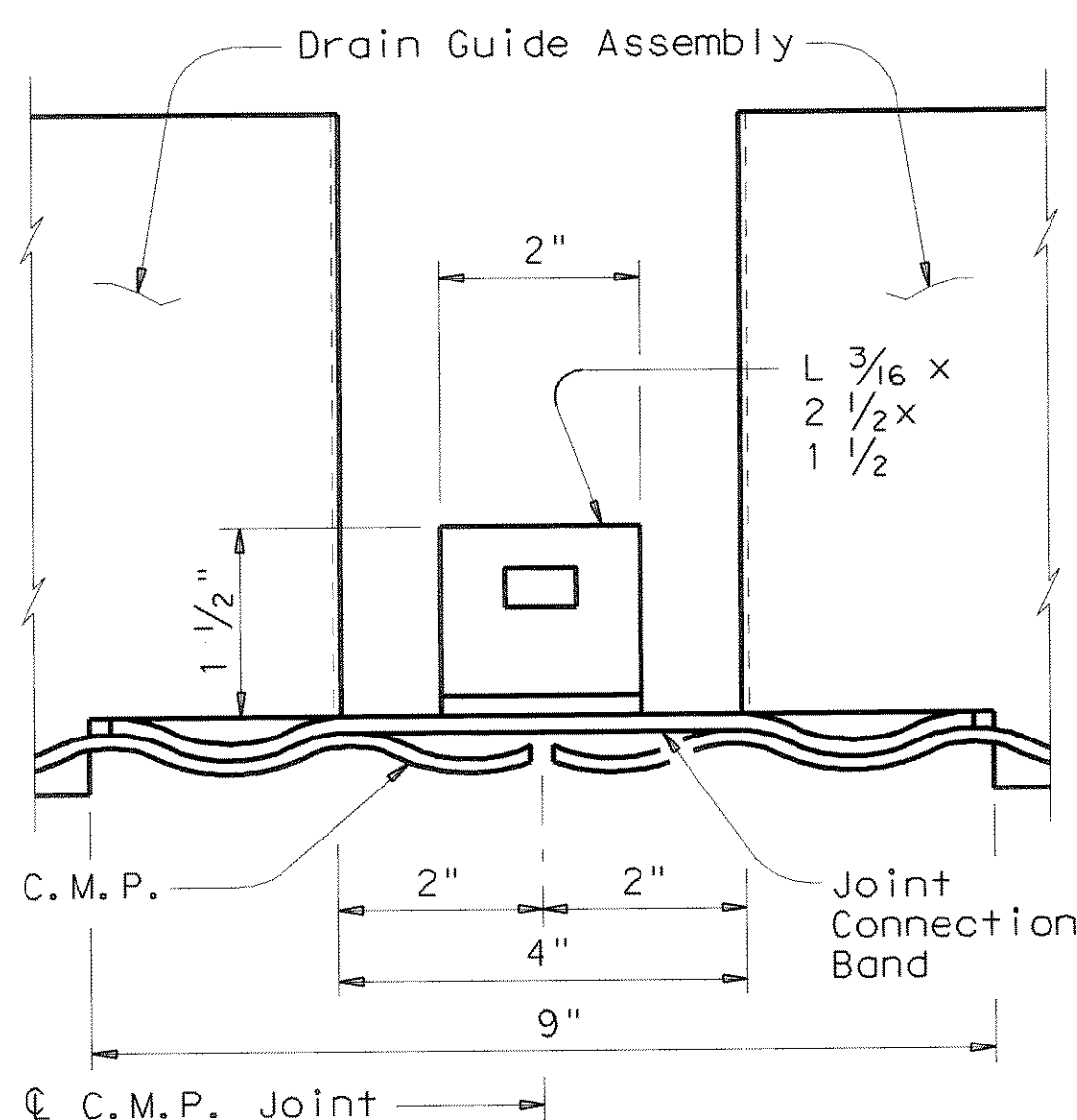


TYPE A DRAIN PEDESTRIAN CAP PLAN

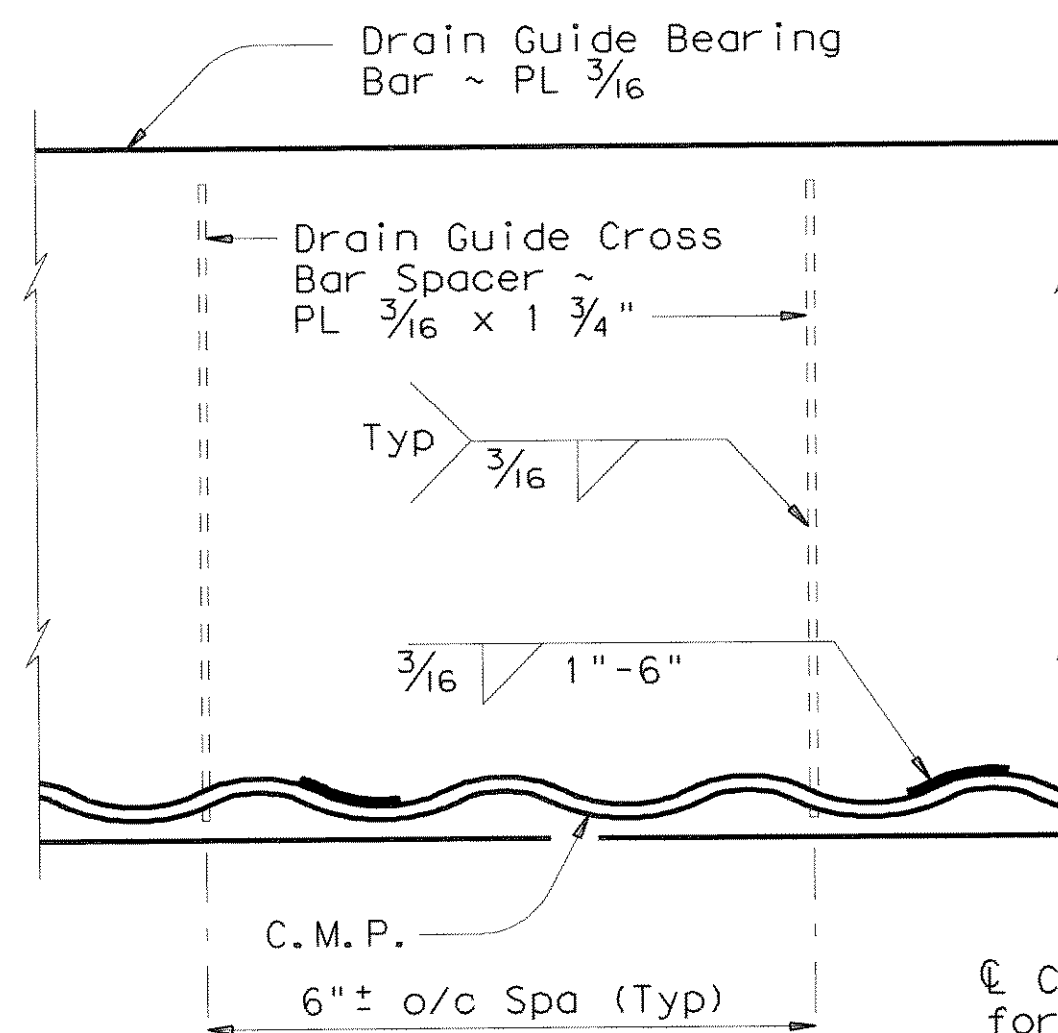


Plates to be installed at each end of Drain Guide, at each centerline location of seams on pipe, and at mid-point of each open slot.

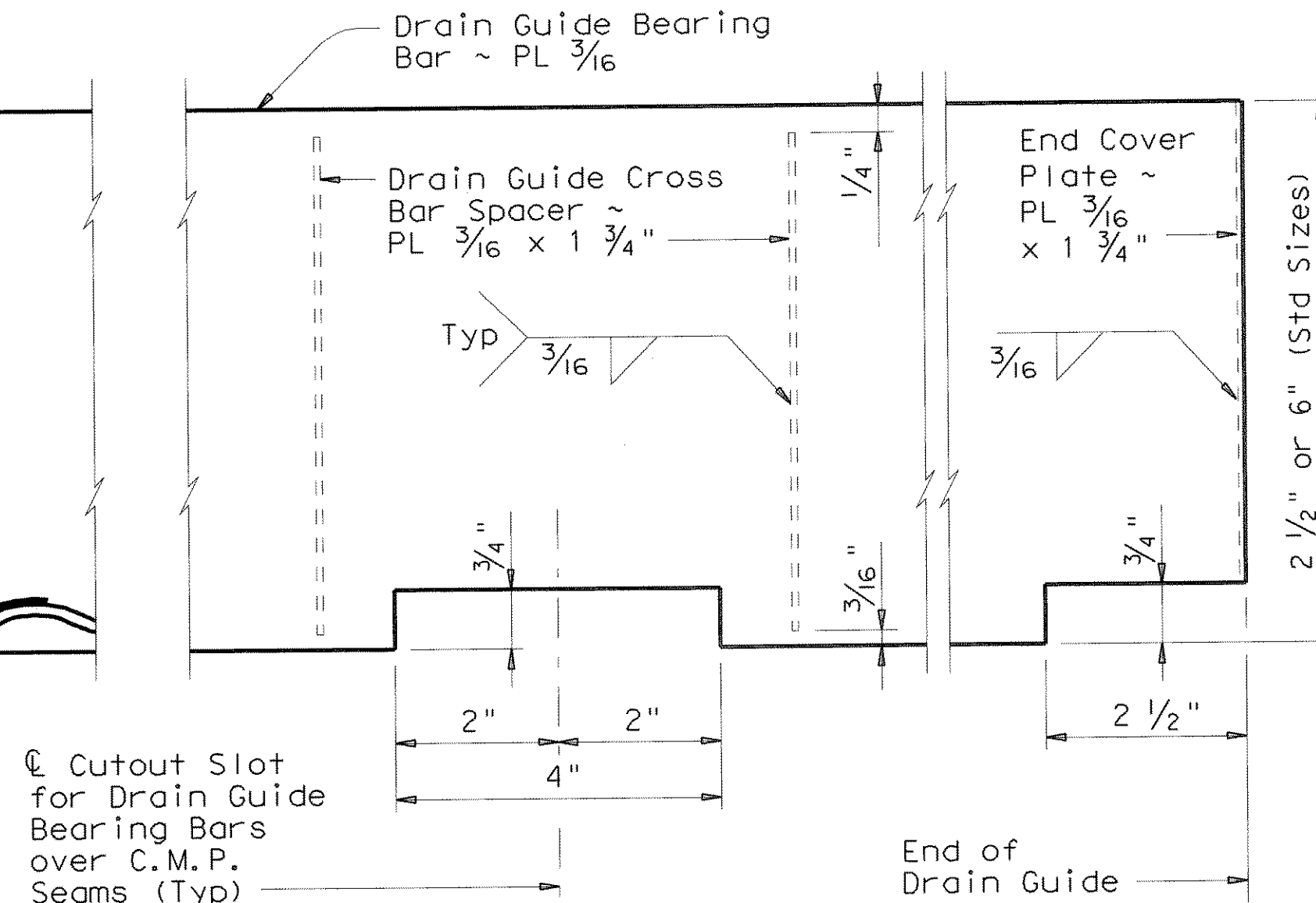
TYPE B DRAIN LOCKING PLATE DETAILS



TYPE A DRAIN PIPE JOINT CONNECTION LONGITUDINAL SECTION



TYPE A DRAIN WELDING DETAILS LONGITUDINAL SECTION



TYPE A DRAIN CUT OUTS AT PIPE SEAM AND AT DRAIN END LONGITUDINAL SECTION

FILE: sdsdte01.dgn	DW: TxDOT	CK: MAS	DW: JRP	CK: MAS
© TxDOT February 2010	DISTRICT	FEDERAL AID PROJECT	SHEET	
REVISIONS	COUNTY	CONTROL SECT	JOB	HIGHWAY

LEVELS DISPLAYED	ACC:
1	