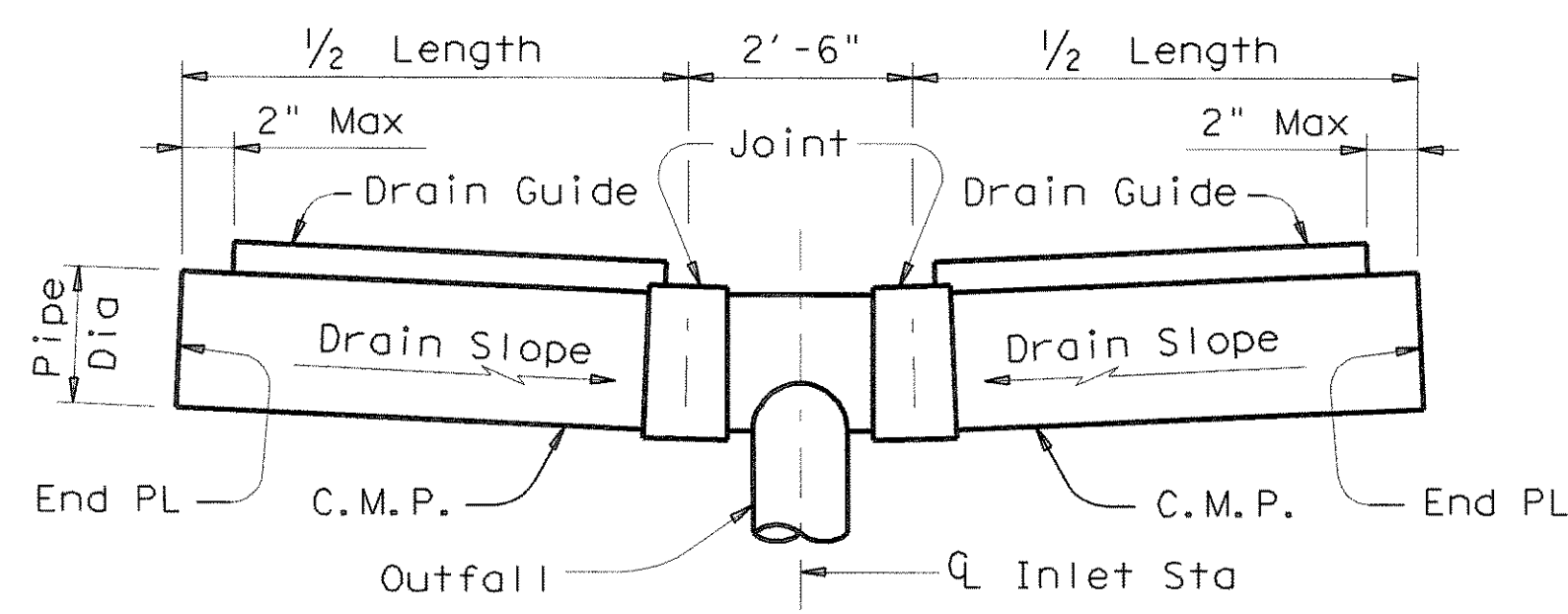
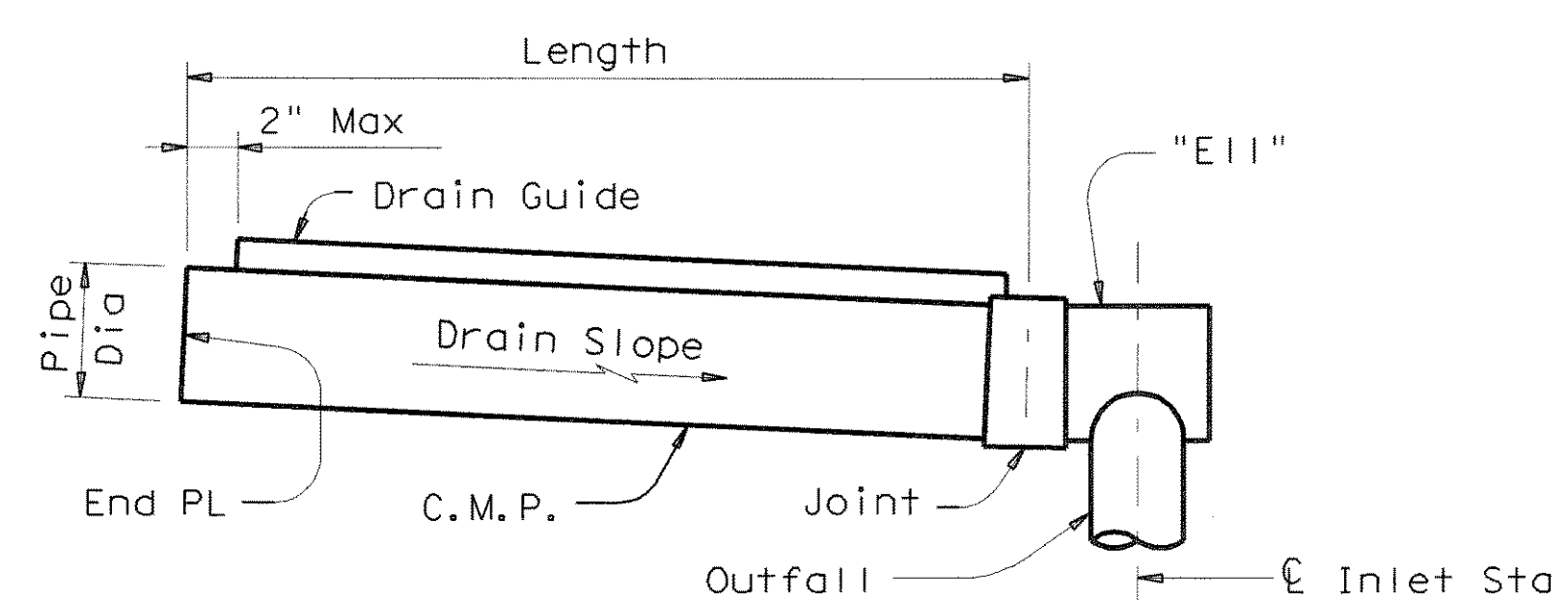


DISCLAIMER: The use of this standard is governed by the "Texas Engineering Practice Act". No warranty of any kind is made by TxDOT for any purpose whatsoever. TxDOT assumes no responsibility for the conversion of this standard to other formats or for incorrect results or damages resulting from its use.

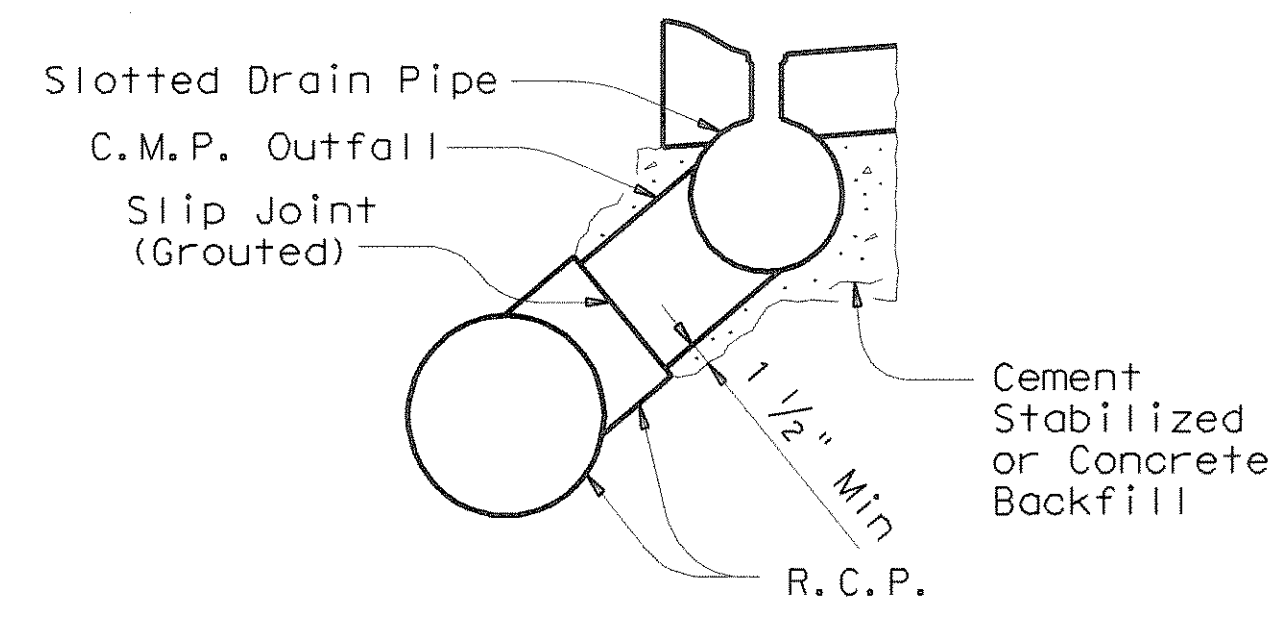
LEVELS DISPLAYED	ACC:
1	



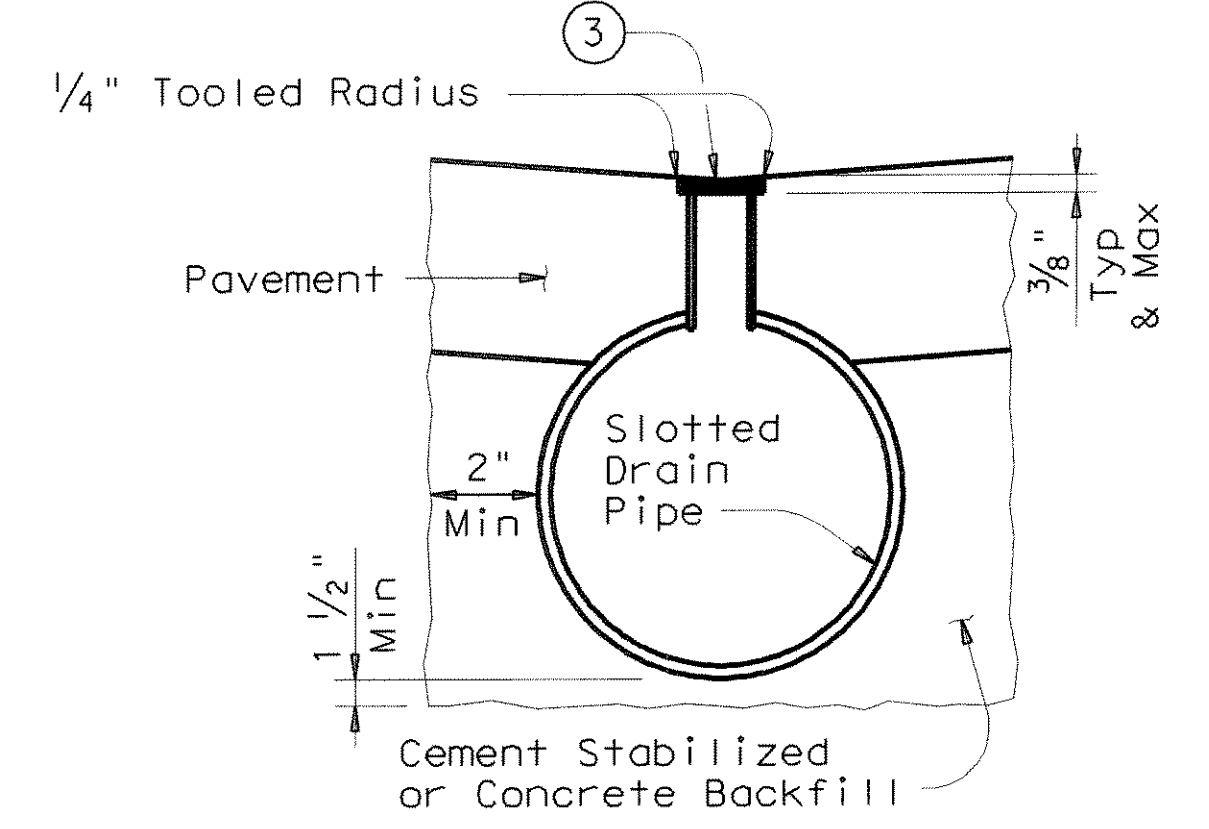
TYPICAL TYPE "T" DRAIN INSTALLATION



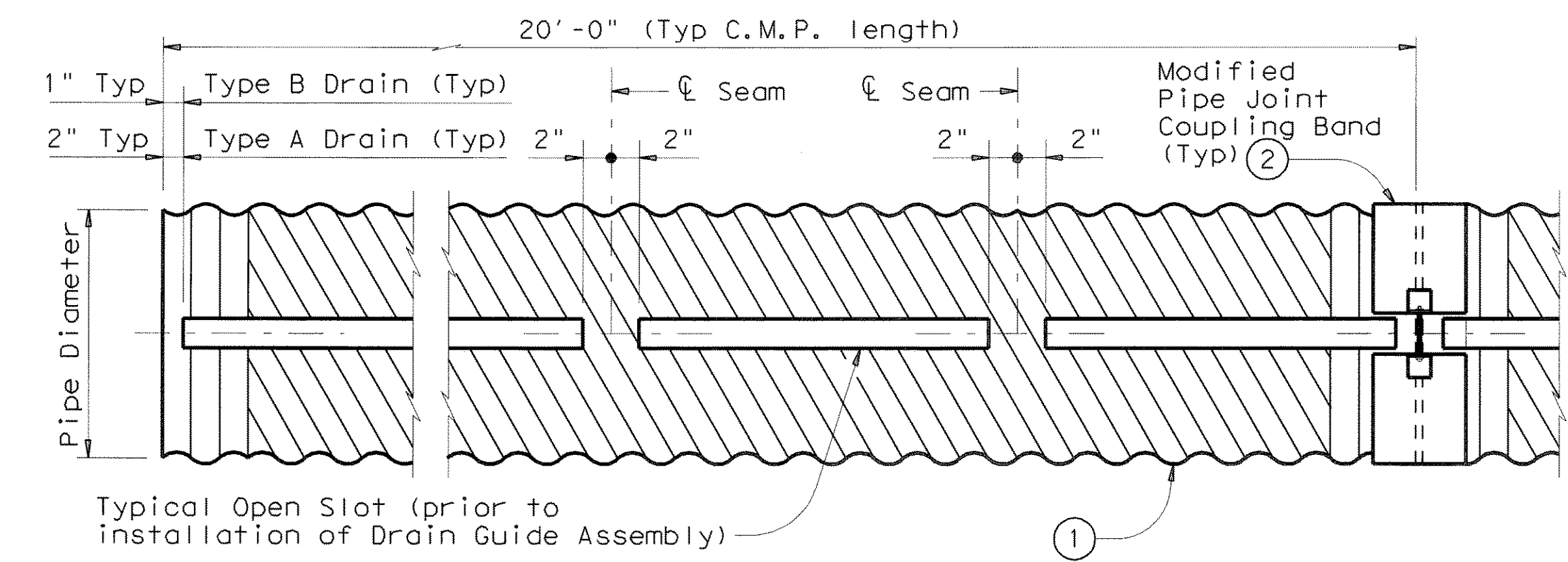
TYPICAL TYPE "L" DRAIN INSTALLATION



BACKFILL DETAIL AT OUTFALL



TYPICAL BACKFILL DETAIL

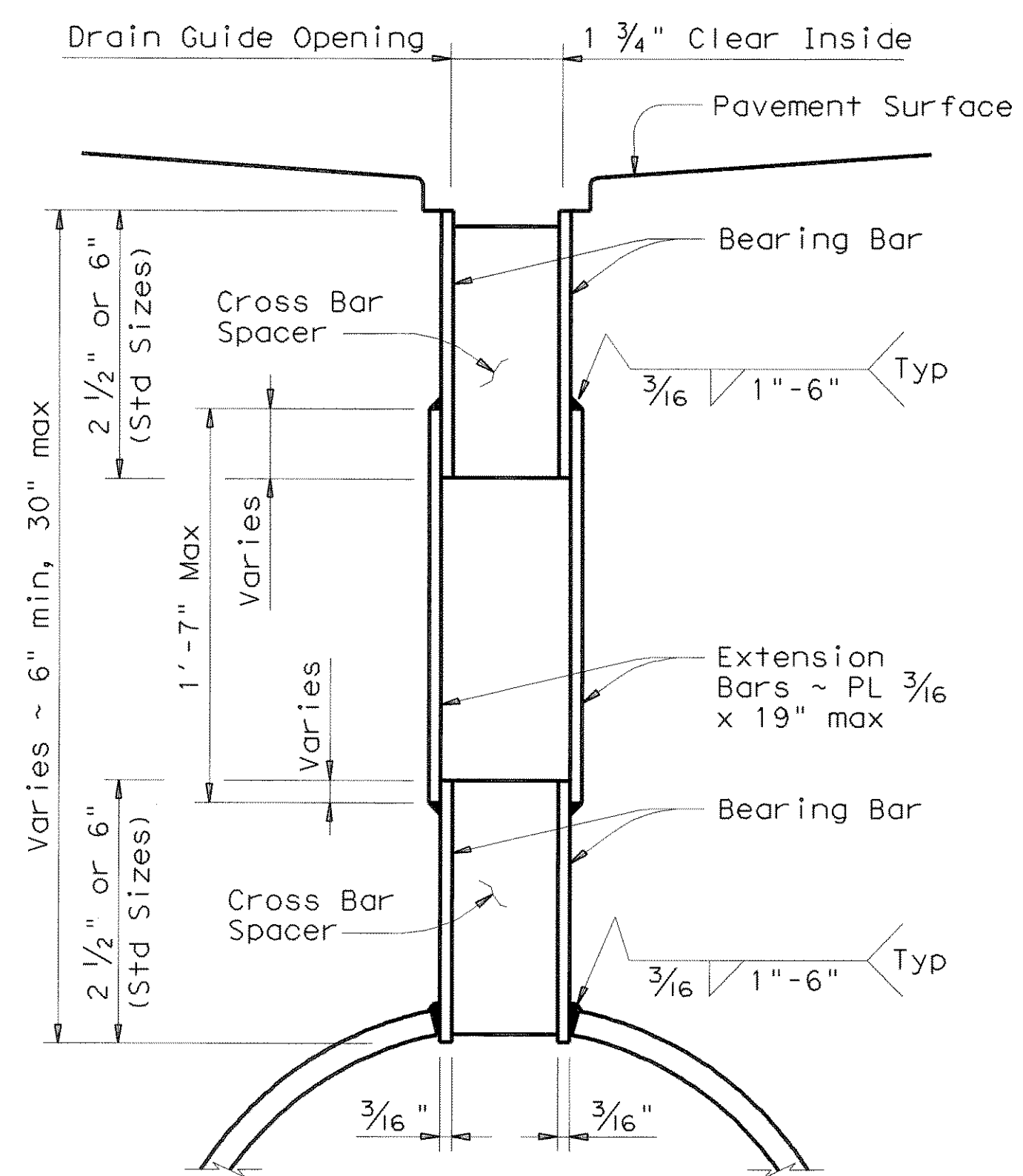


SLOTTED CORRUGATED METAL PIPE (C.M.P.) DETAIL

- ① 16 Gage (Min) x 10" to 36" Diam Corrugated Metal Pipe (2 2/3" x 1/2" Min corrugations)
- ② Alternate methods of joining lengths of pipe, as recommended by the manufacturer, may be used with the approval of the Engineer.
- ③ Wood Strip (Nom 3/8" Max x 2 1/2"). Wood strip may be omitted if suitable protection is provided during pavement placement.

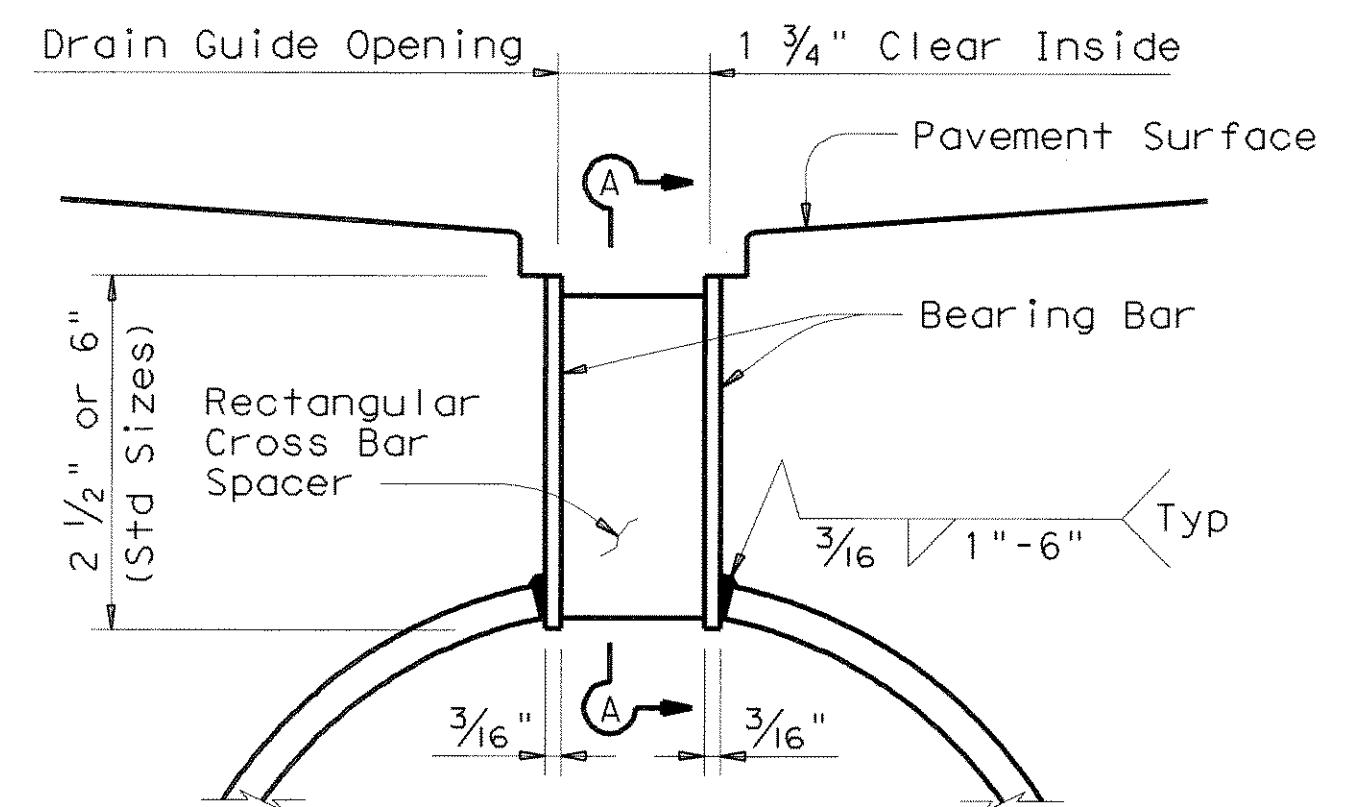
GENERAL NOTES:

Drain Guide assemblies shall conform to the provisions of Item 474, "Slotted Drains". All welding shall be in accordance with Item 448, "Structural Welding".
 The Corrugated Galvanized or Aluminized Steel Pipe shall be in accordance with Item 460, "Corrugated Metal Pipe".
 Trenches for slotted drains and outfall pipe shall be backfilled with low strength concrete (minimum 2 sacks of cement per cubic yard) or cement stabilized backfill as shown or as directed by the Engineer.
 Outfall Connection slip joint shall be backed with a suitable compressible material to retain grout in place during curing.
 Slotted Drain shall be furnished in 20'-0" lengths wherever practical to minimize the number of joints required.
 Unless otherwise shown on the plans or in the Special provisions, the Contractor may furnish any of the designs as shown. If a Heel (pedestrian) Guard is required, the Type B Slotted Drain is not permitted.



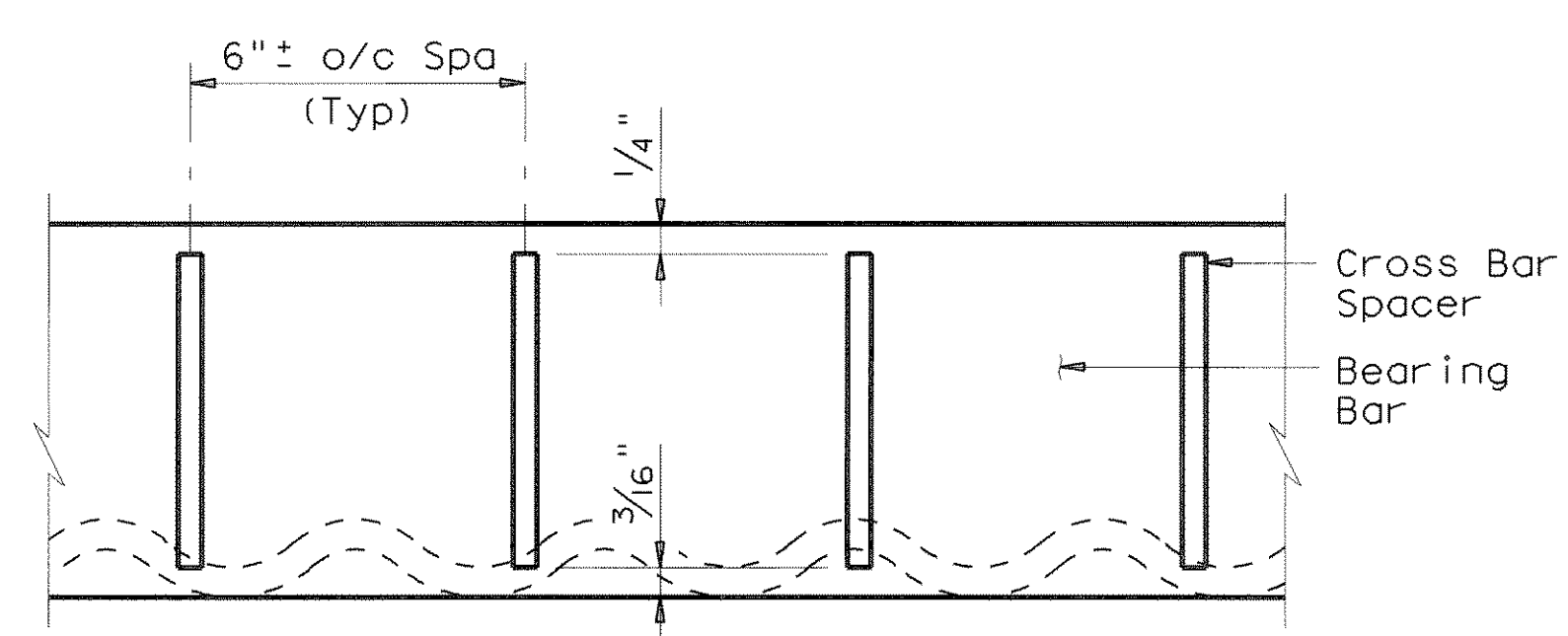
TYPE A SLOTTED DRAIN

Showing Rectangular Spacers and Slot Drain Extension



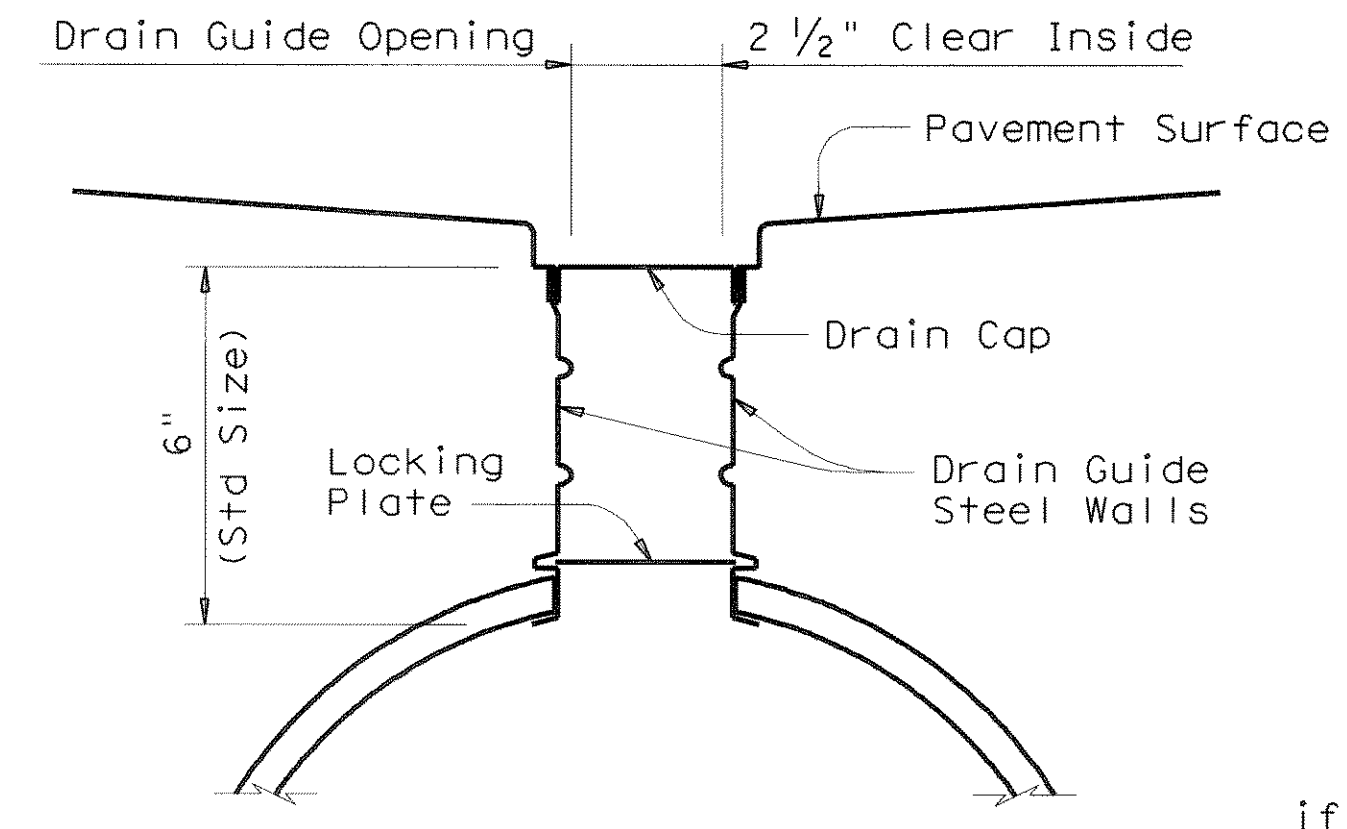
TYPE A SLOTTED DRAIN

Showing Rectangular Spacers



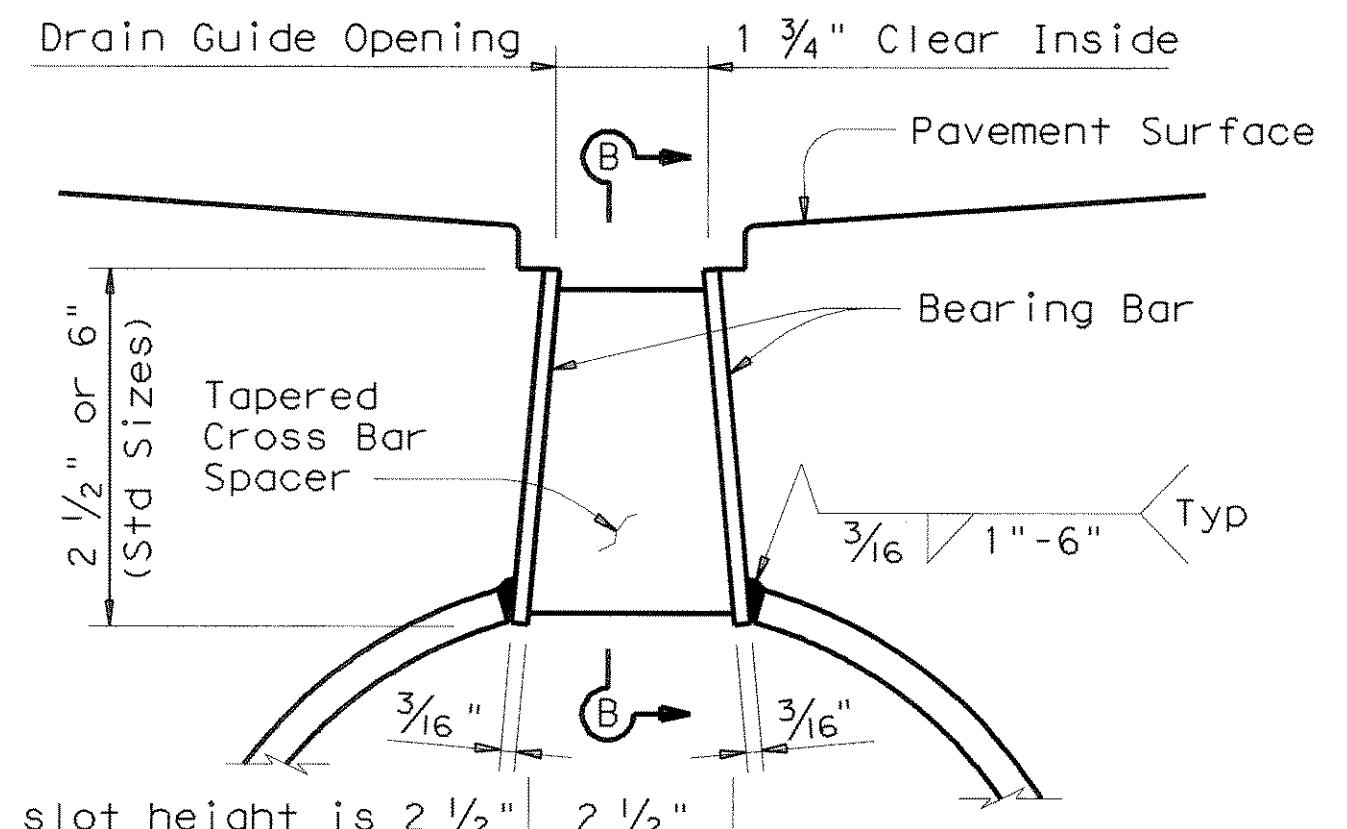
SECTION A-A (WITH RECTANGULAR SPACERS)

Showing installation of Cross Bar Spacers in longitudinal section



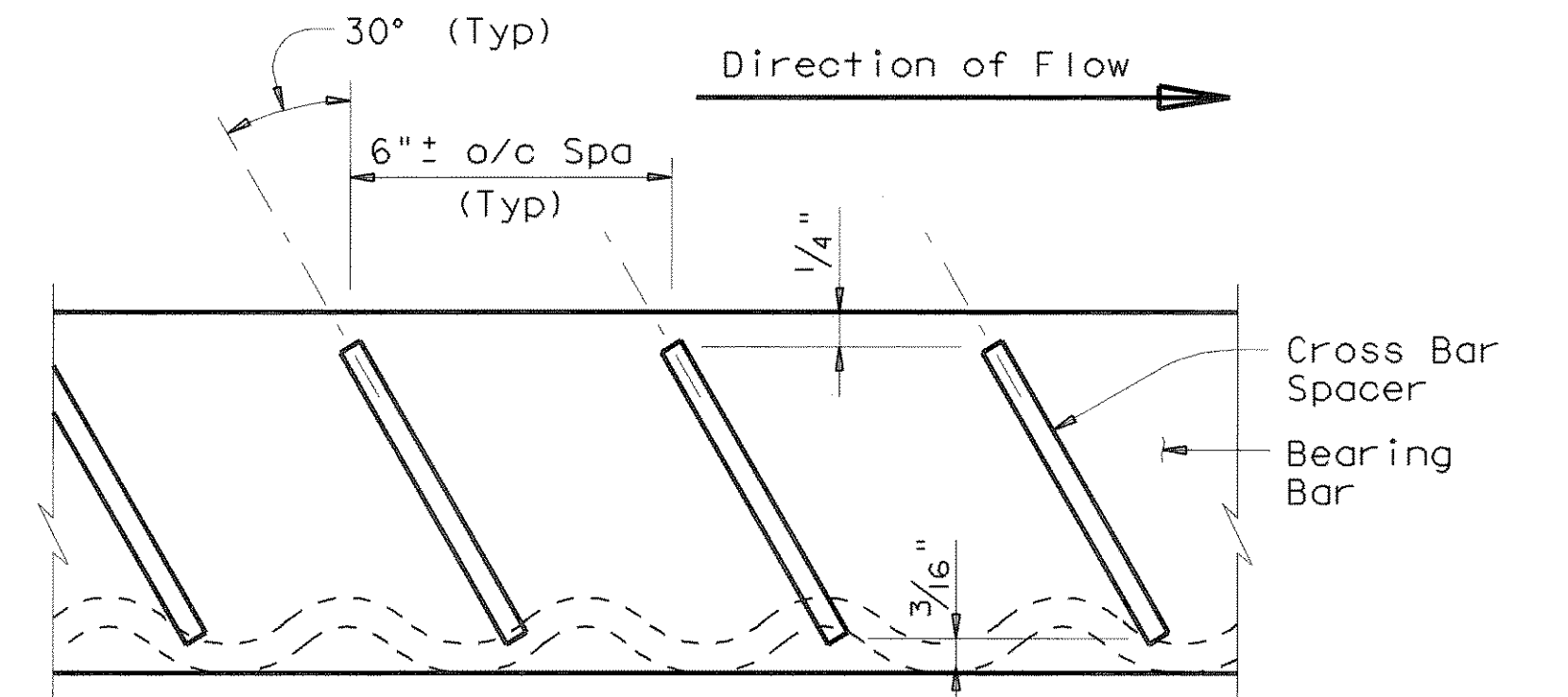
TYPE B SLOTTED DRAIN

TYPICAL SECTIONS THRU DRAIN GUIDE INSTALLATIONS



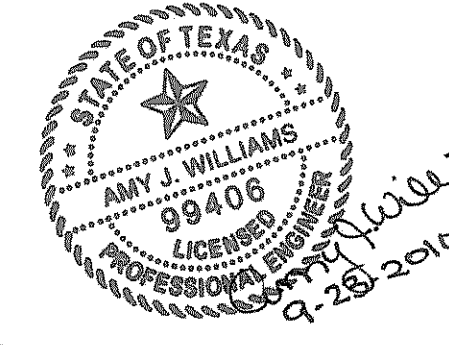
TYPE A SLOTTED DRAIN

Showing Tapered Spacers



SECTION B-B (WITH TAPERED SPACERS)

Showing installation of Cross Bar Spacers in longitudinal section



Modified Detail
 Δ Changed min 12" to min 10" C.M.P.

Texas Department of Transportation
 Bridge Division

ROADWAY DRAIN DETAILS (SLOTTED DRAIN)

SD

FILE: sdstde01.dgn	DWG: TxDOT	CHK: MAS	DWG: JRP	CHK: MAS
© TxDOT February 2010	DISTRICT	FEDERAL AID PROJECT		SHEET
REVISIONS	COUNTY	CONTROL	SECT	JOB
				HIGHWAY