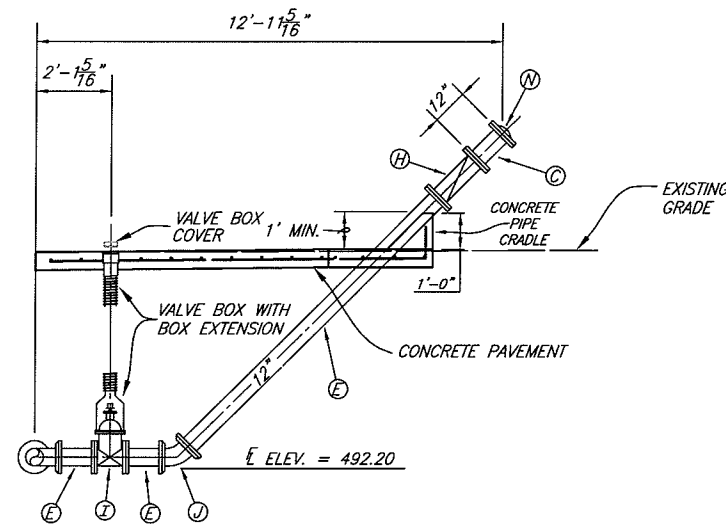
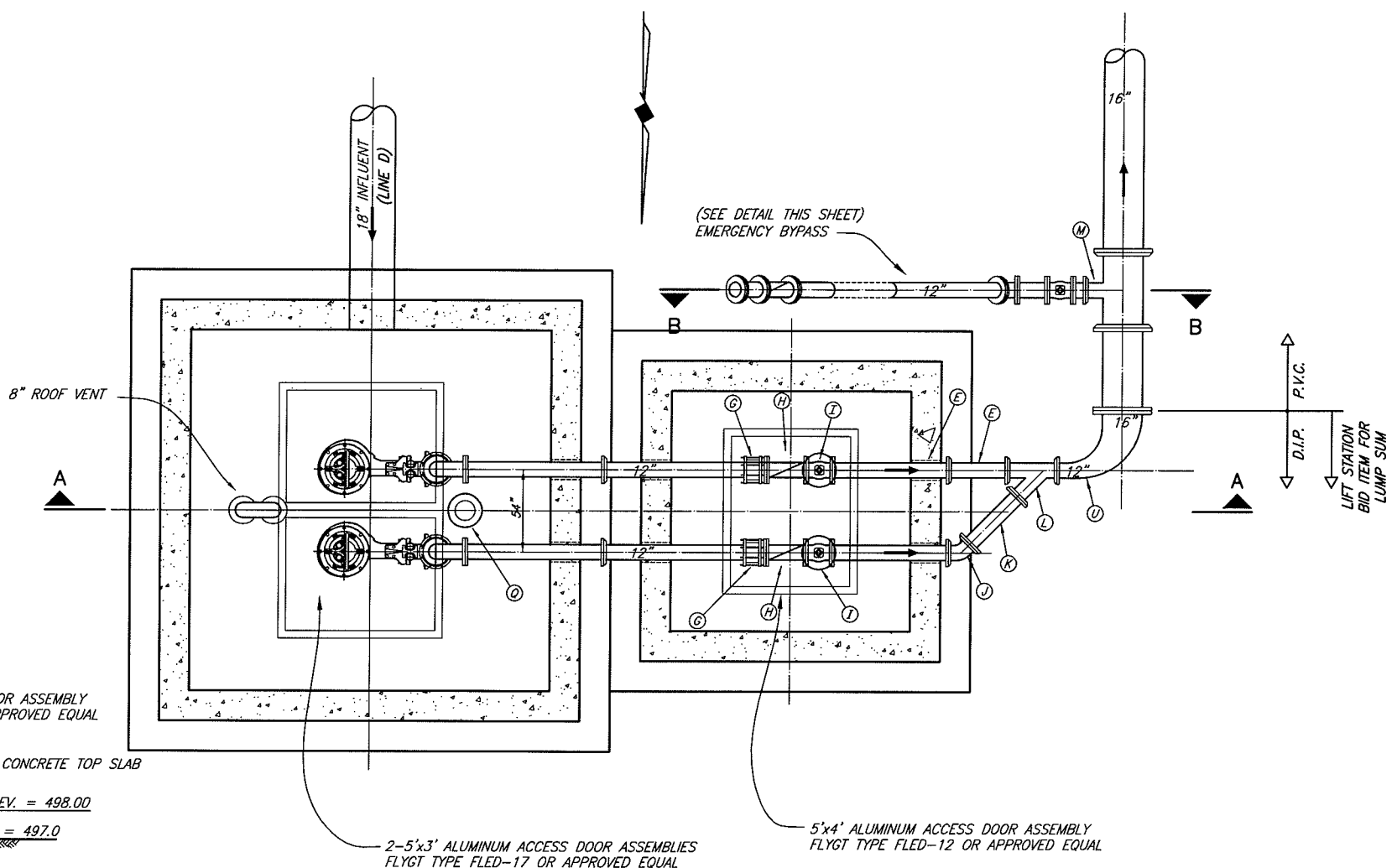


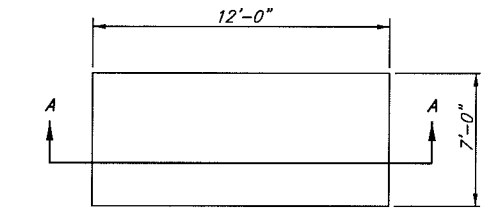
REVISION: 11/6/08 - AOLIVAREZ
 PLOTTED BY: AOLIVAREZ ON 11/6/2008
 PLOT SCALE: 1:64.3198
 PLOT STYLE: 11x17.ctb
 H:\Projects\Rockwall\2004147\Line-D&E\Sheets\2004147-LS1.dwg



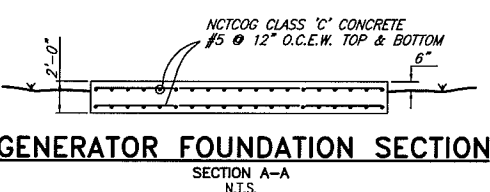
PIPING SECTION B-B EMERGENCY BYPASS DETAIL



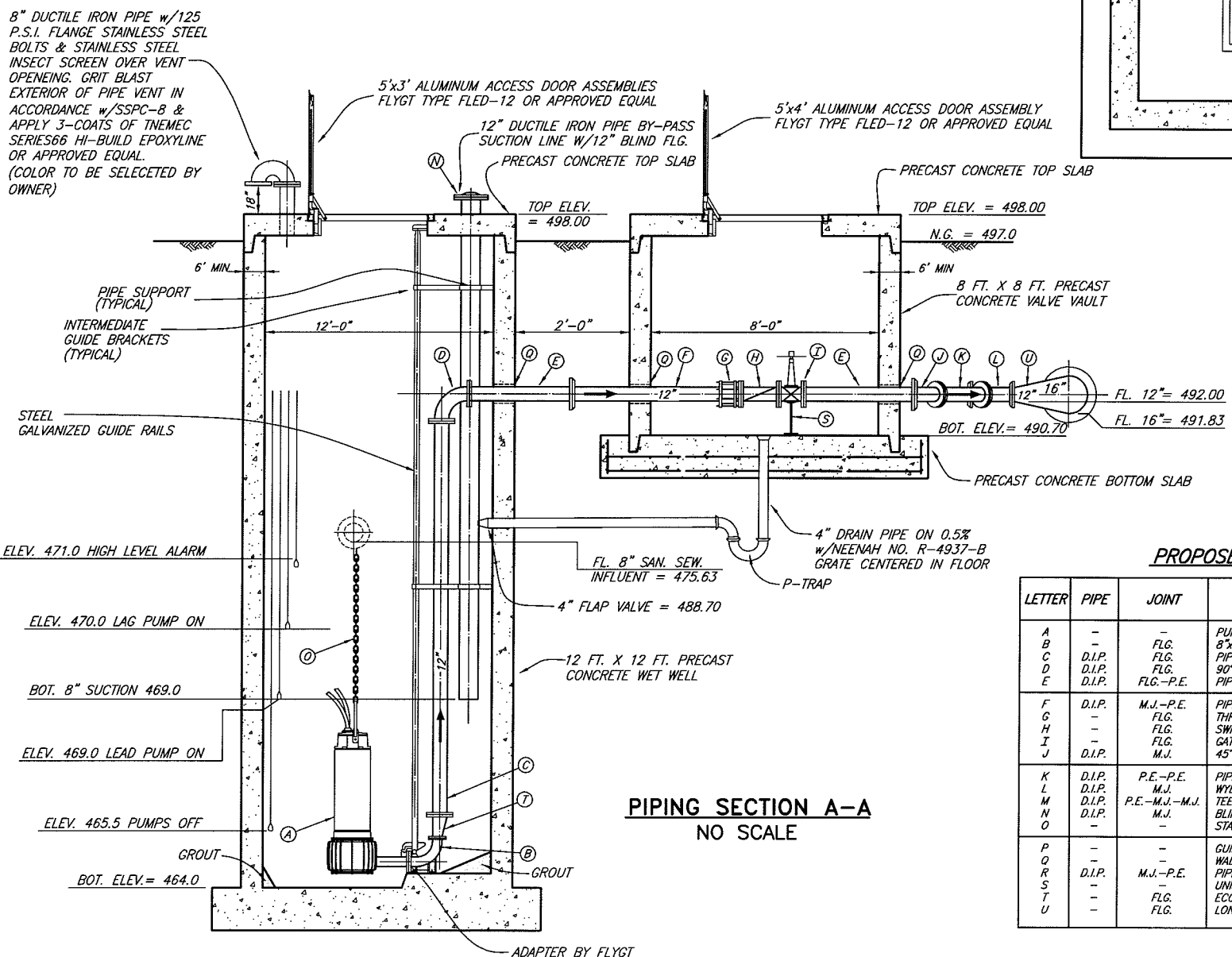
**PLAN VIEW
NO SCALE**



**GENERATOR FOUNDATION PLAN
N.T.S.**



**GENERATOR FOUNDATION SECTION
SECTION A-A
N.T.S.**



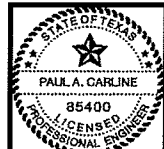
**PIPING SECTION A-A
NO SCALE**

PROPOSED LEGEND

LETTER	PIPE	JOINT	DESCRIPTION
A	-	-	PUMP W/ MOTOR
B	-	FLG.	8"x8" BASE ELBOW (BY PUMP MFG.)
C	D.I.P.	FLG.	PIPE SPOOL
D	D.I.P.	FLG.	90° LONG RADIUS BEND
E	D.I.P.	FLG.-P.E.	PIPE SPOOL
F	D.I.P.	M.J.-P.E.	PIPE SPOOL
G	-	FLG.	THRUST HARNESS
H	-	FLG.	SWING CHECK VALVE W/ LEVER & WEIGHT
I	-	FLG.	GATE VALVE (WHEEL OPERATED)
J	D.I.P.	M.J.	45° BEND
K	D.I.P.	P.E.-P.E.	PIPE SPOOL
L	D.I.P.	M.J.	WYE
M	D.I.P.	P.E.-M.J.-M.J.	TEE
N	D.I.P.	M.J.	BLIND FLANGE
O	-	-	STAINLESS STEEL LIFTING CHAIN
P	-	-	GUIDE BAR
Q	-	-	WALL PIPE W/ LINK SEAL
R	D.I.P.	M.J.-P.E.	PIPE SPOOL
S	-	FLG.	UNISTRUT PIPE SUPPORT
T	-	FLG.	ECCENTRIC REDUCER
U	-	FLG.	LONG REDUCING BEND

This record drawing is a compilation of the sealed engineering drawing for this project; modified by addenda, change orders and information furnished by the contractor. The information shown on the record drawings that was provided by the contractor or others not associated with the design engineer cannot be verified for accuracy or completeness. This original sealed drawings are on file at the offices of Birkhoff, Hendricks & Conway, L.L.P.
 BY P.A.C. DATE 11/06/08

THESE DOCUMENTS ARE FOR BIDDING, CONSTRUCTION, AND PERMIT PURPOSES.
 DATE: 12/7/05



CITY OF ROCKWALL, TEXAS
F.M. 3097 SAN. SEW. IMPROVEMENTS LIFT STATION

BIRKHOFF, HENDRICKS & CONWAY, L.L.P.
 CONSULTING ENGINEERS
 Dallas, Texas
 DESIGNED BY: P.A.C. PROJECT: 2004-147 SHEET NO. 30
 DRAWN BY: B.H.C. DATE: DECEMBER, 2005 OF 35 SHEETS

These plans and related specifications were prepared for construction of this specific project only. Reuse of these documents is not permitted without written authorization of Birkhoff, Hendricks, & Conway, L.L.P.