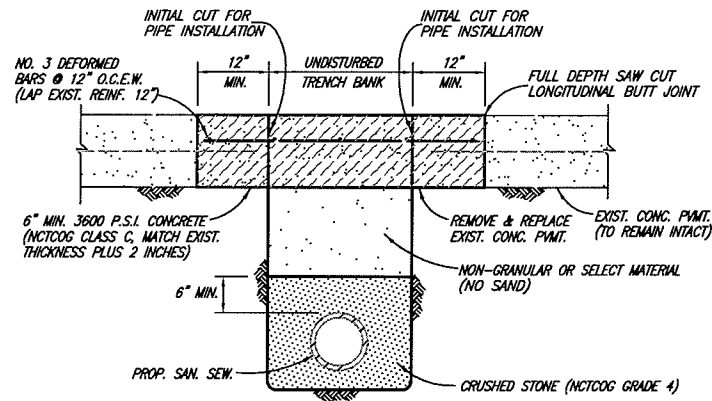
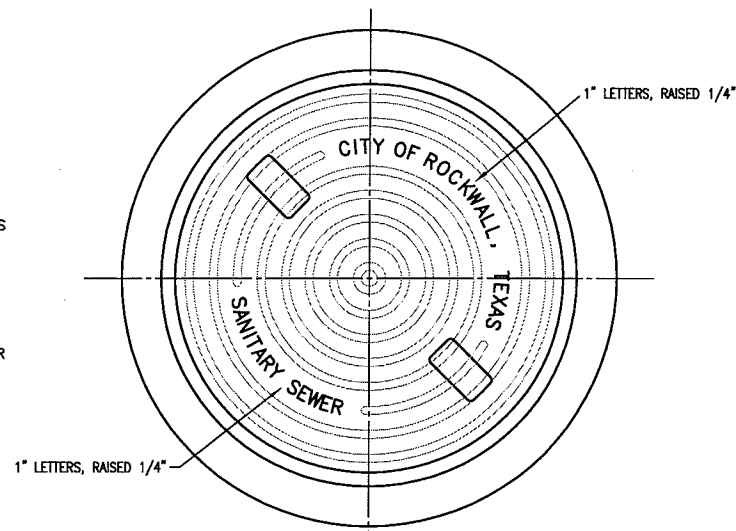


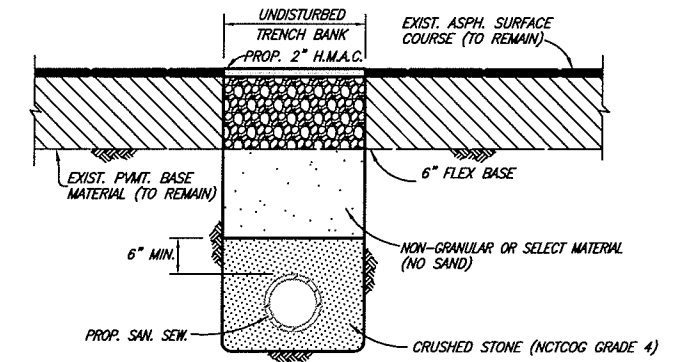
REVISIONS: 12/15/05 - WHAYS
 PLOT SCALE: 1:2.01
 PLOT STYLE: 11x17.ctb
 PLOTTED BY: AQUIVAZ ON 11/16/2008
 H:\Projects\Rockwall\2004147\Basedwgs\Common\Details\2004147 DTO1.dwg

STANDARD SEWER NOTES

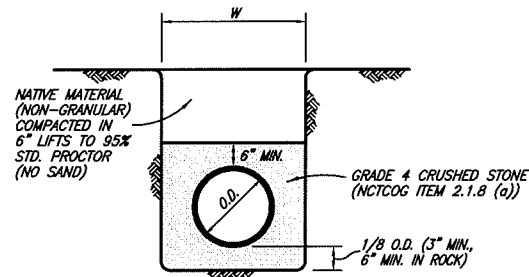
- SEWER LINES SHALL BE CONSTRUCTED IN ACCORDANCE WITH THE CURRENT CITY OF ROCKWALL, SPECIFICATIONS AND CODES.
- FOR OPEN CUT SEWER REPLACEMENT, DETECTABLE TRACER (TERRA TAPE OR APPROVED EQUIVALENT) SHALL BE LAID WITH PVC PIPE AND CONNECTED TO ALL FITTINGS. TAPE SHALL BE LAID 6" ABOVE THE TOP OF PIPE, THE BACKFILL MATERIAL, OR ON TOP OF SAND BACKFILL.
- MANHOLE FRAMES AND 24" DIAMETER COVER WITH THE "CITY OF ROCKWALL" AS MANUFACTURED BY THE VULCAN FOUNDRY, INC.-CATALOG NO. V-1342, BASS AND HAYS FOUNDRY-CATALOG NO. 300-24, OR APPROVED EQUAL SHALL BE FURNISHED FOR ALL SANITARY SEWER MANHOLES. THIS FRAME AND COVER IS STOCKED BY SEVERAL SUPPLIERS IN THIS AREA.
- CLASS "C" CONC. (3600 PSI AT 28 DAYS) OR PRECAST REINF. CONC. SHALL BE USED FOR ALL MANHOLES.
- USE ONLY A NON-SHEAR COUPLING FOR PIPE CONNECTIONS.
- WHEN THE TRENCH SAFETY EXCEEDS 5 FEET IN DEPTH, THE CONTRACTOR SHALL MEET OR EXCEED THE O.S.H.A. STANDARDS FOR TRENCH SAFETY.



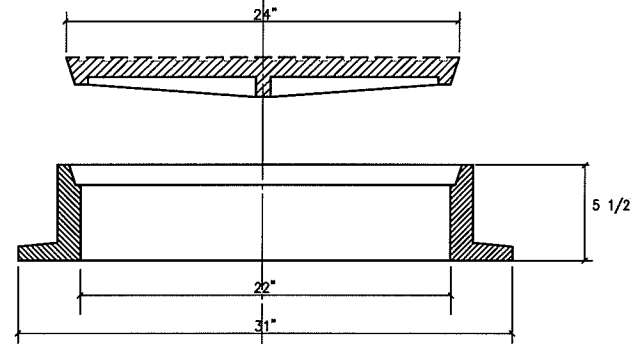
CONCRETE STREET OR DRIVEWAY REPAIR



ASPHALT STREET OR DRIVEWAY REPAIR



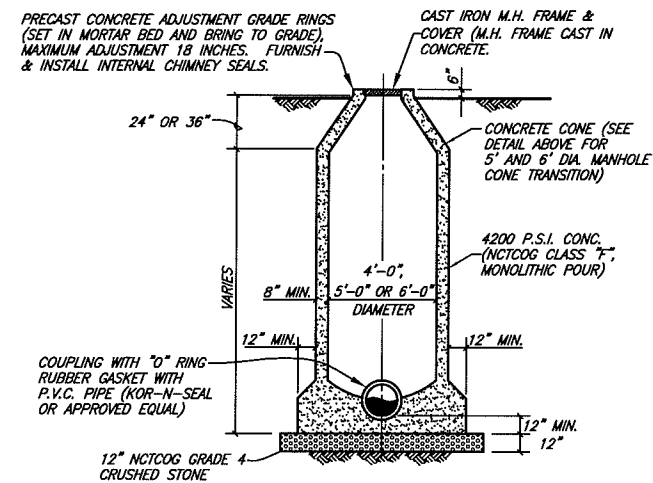
CLASS H EMBEDMENT



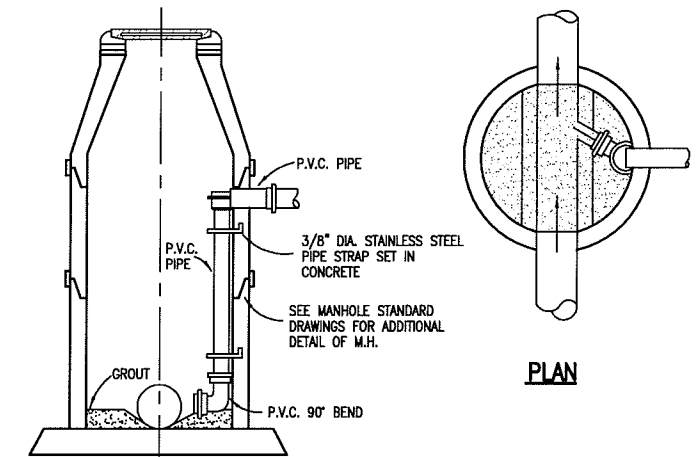
MANHOLE RING AND COVER

WITH LOCKING DEVICE & PICK SLOTS

BASS AND HAYS FOUNDRY, INC.
 TRAFFIC BEARING MANHOLE: 400-24
 NON TRAFFIC BEARING MANHOLES: 300-24



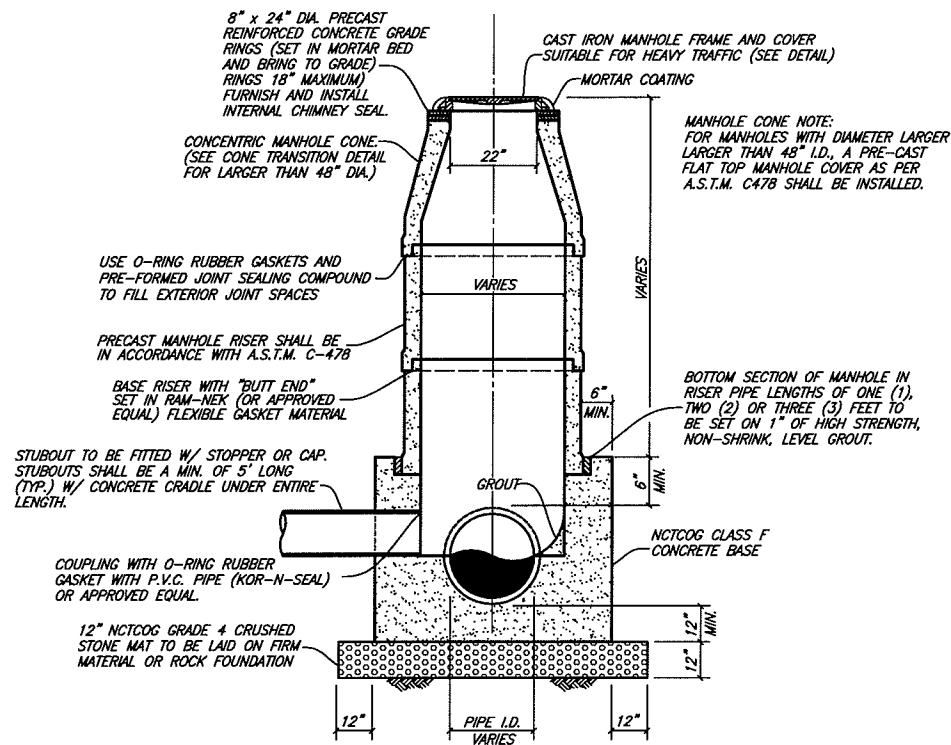
STANDARD MANHOLE ELEVATION
 4', 5' & 6' DIAMETER MANHOLES
SANITARY SEWER MANHOLE (CAST IN PLACE)



ELEVATION

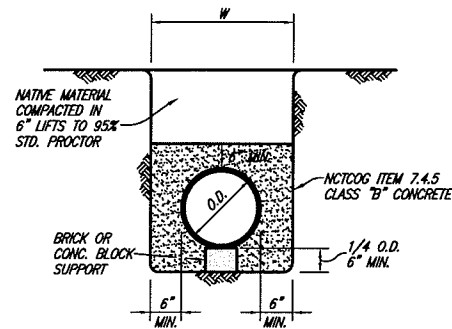
DROP MANHOLE (INSIDE DROP)

N.C.T.C.O.G. ITEM 6.7.2.(f)

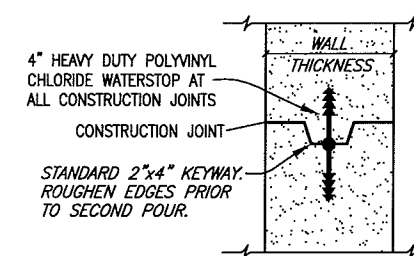


PRECAST CONCRETE MANHOLE

NOTE:
 ALL JOINTS IN PRECAST MANHOLE SHALL
 BE SEALED ON OUTSIDE OF MANHOLE WITH
 AQUAGARD SHRINK SEAL.



CLASS G EMBEDMENT



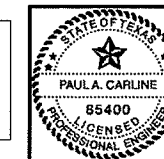
MANHOLE CONSTRUCTION JOINT
 KEYWAY WITH WATERSTOP

This record drawing is a compilation of the sealed engineering drawing for this project; modified by addenda, change orders and information furnished by the contractor. The information shown on the record drawings that was provided by the contractor or others not associated with the design engineer cannot be verified for accuracy or completeness. This original sealed drawings are on file at the offices of Birkhoff, Hendricks & Conway, L.L.P.

BY P.A.C. DATE 11/06/08

These plans and related specifications were prepared for construction of this specific project only. Reuse of these documents is not permitted without written authorization of Birkhoff, Hendricks & Conway, L.L.P.

THESE DOCUMENTS ARE FOR
 BIDDING, CONSTRUCTION
 AND PERMIT PURPOSES
 DATE: 12/7/05



CITY OF ROCKWALL, TEXAS			
F.M. 3097 SAN. SEW. IMPROVEMENTS			
DETAILS			
BIRKHOFF, HENDRICKS & CONWAY, L.L.P.			
CONSULTING ENGINEERS Dallas, Texas			
DESIGNED BY: P.A.C.	PROJECT: 2004-147	SHEET NO. 34	
DRAWN BY: B.H.C.	DATE: DECEMBER, 2005	OF 35 SHEETS	