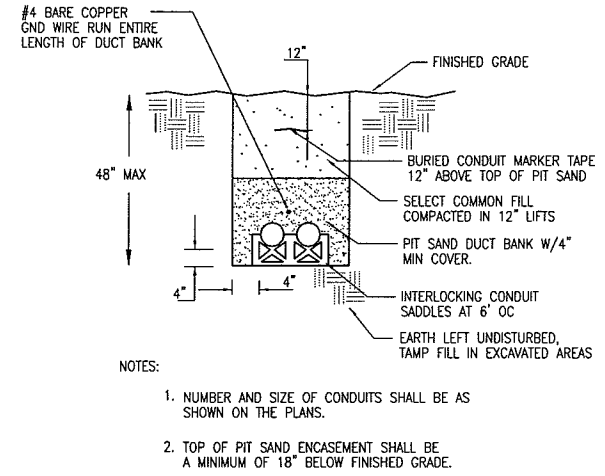
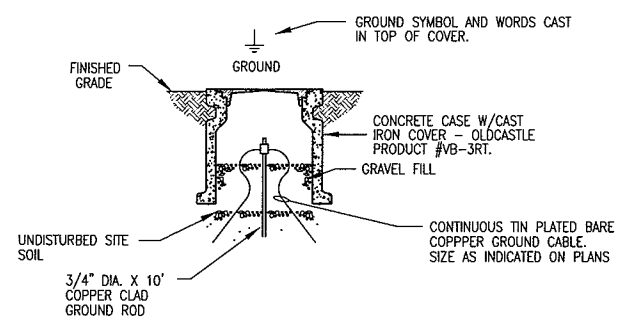


F.M. 3097

ELECTRICAL SITE PLAN
SCALE: 3/16" = 1'-0"



01 PIT SAND ENCASED UNDERGROUND DUCTBANK
NOT TO SCALE



02 GROUND ROD & WELL
NOT TO SCALE

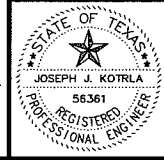
ELECTRICAL SITE PLAN SYMBOL LEGEND	
SYMBOL	DESCRIPTION
—	EXPOSED CONDUIT RUN
- - -	CONCEALED OR UNDERGROUND CONDUIT RUN
→	CIRCUIT HOME RUN TO PANELBOARD
XXXX	CONDUIT AND CABLE TAG NUMBER REF ONLINE DIAGRAM
○	CONDUIT RUN TURNED UP
●	CONDUIT RUN TURNED DOWN
⊙	GROUND ROD & WELL SEE DETAIL 02 SHEET E1
- - -	COPPER GROUND WIRE, #2/0
⊕	EXOTHERMIC GROUND CONNECTION
⋯	EQUIPMENT GROUNDING, #1

This record drawing is a compilation of the sealed engineering drawing for this project, modified by addenda, change orders and information furnished by the contractor. The information shown on the record drawings that was provided by the contractor or others not associated with the design engineer cannot be verified for accuracy or completeness. This original sealed drawings are on file at the offices of Birkhoff, Hendricks & Conway, L.L.P.
BY JJK DATE 11/06/08

These plans and related specifications were prepared for construction of this specific project only. Reuse of these documents is not permitted without written authorization of Birkhoff, Hendricks, & Conway, L.L.P.

VERIFY SCALE
Bar is one inch on original drawing.
0 1
If not one inch on this sheet, adjust scale accordingly.

THESE DOCUMENTS ARE FOR BIDDING, CONSTRUCTION, AND PERMIT PURPOSES.
Joseph J. Kotrla
DATE: 11-13-05



CITY OF ROCKWALL, TEXAS

F.M. 3097 SAN. SEW. IMPROVEMENTS

ELECTRICAL SITE PLAN

BIRKHOFF, HENDRICKS & CONWAY, L.L.P.
CONSULTING ENGINEERS
Dallas, Texas

DESIGNED BY: W.H.C. PROJECT: 2004-147 SHEET NO. 32
DRAWN BY: M.E.G. DATE: NOVEMBER, 2005 OF 35 SHEETS