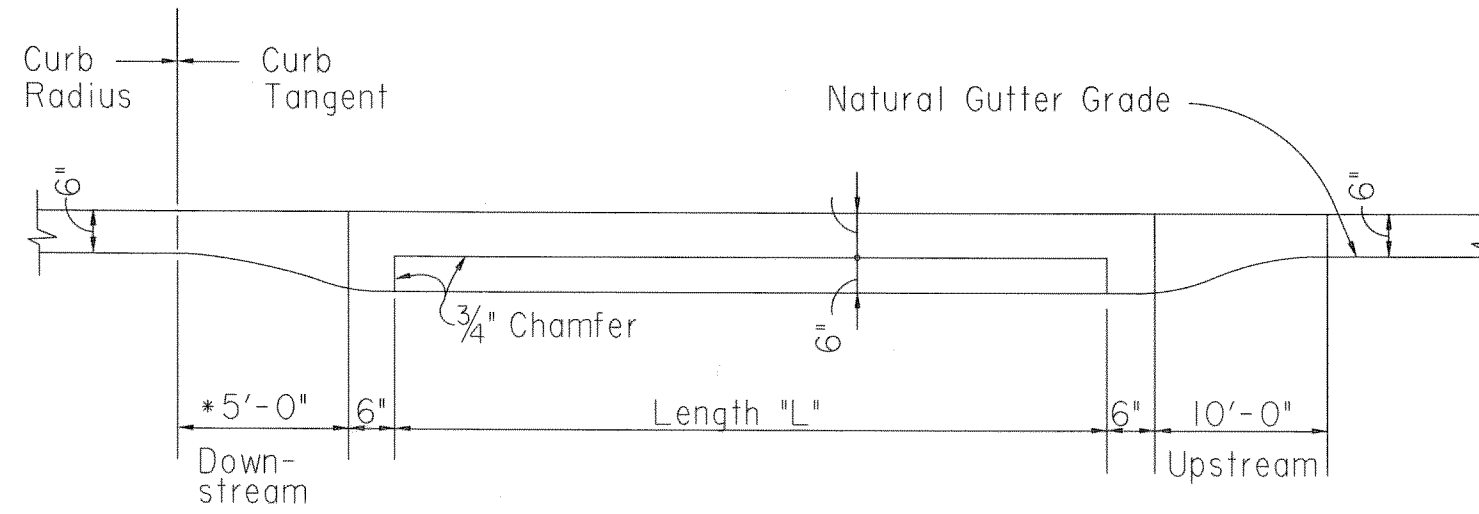
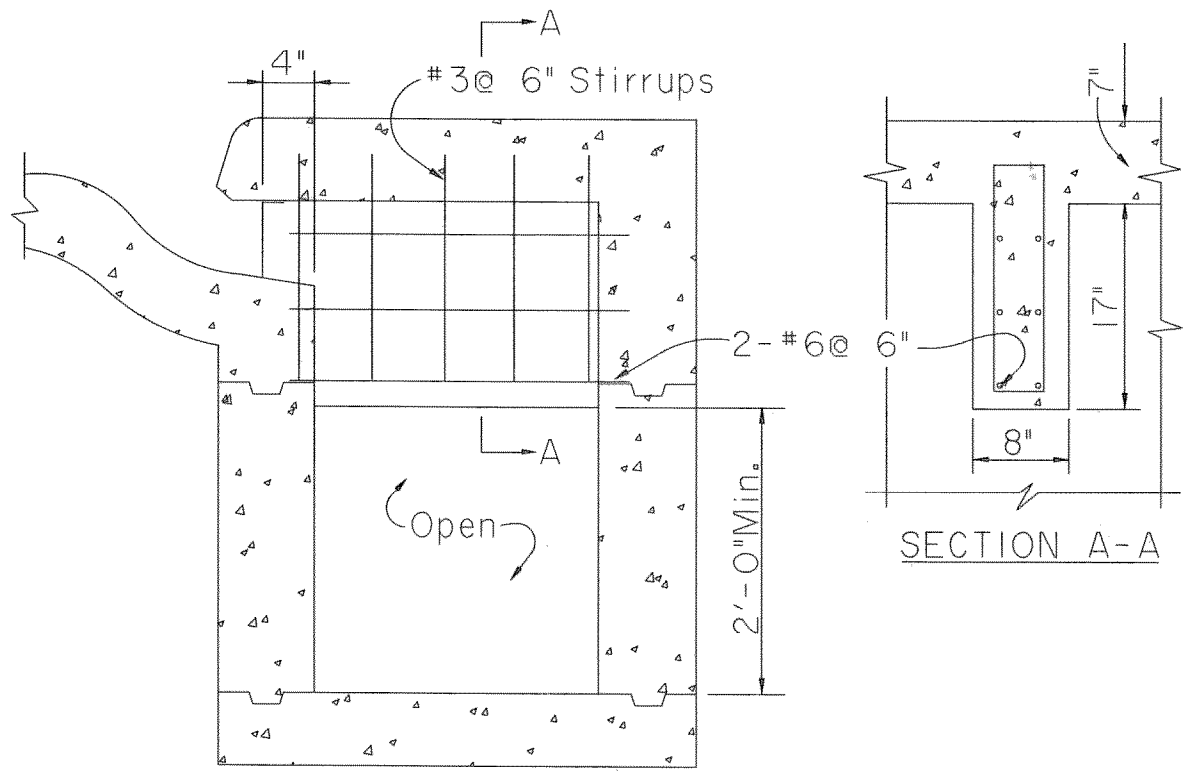


PLAN

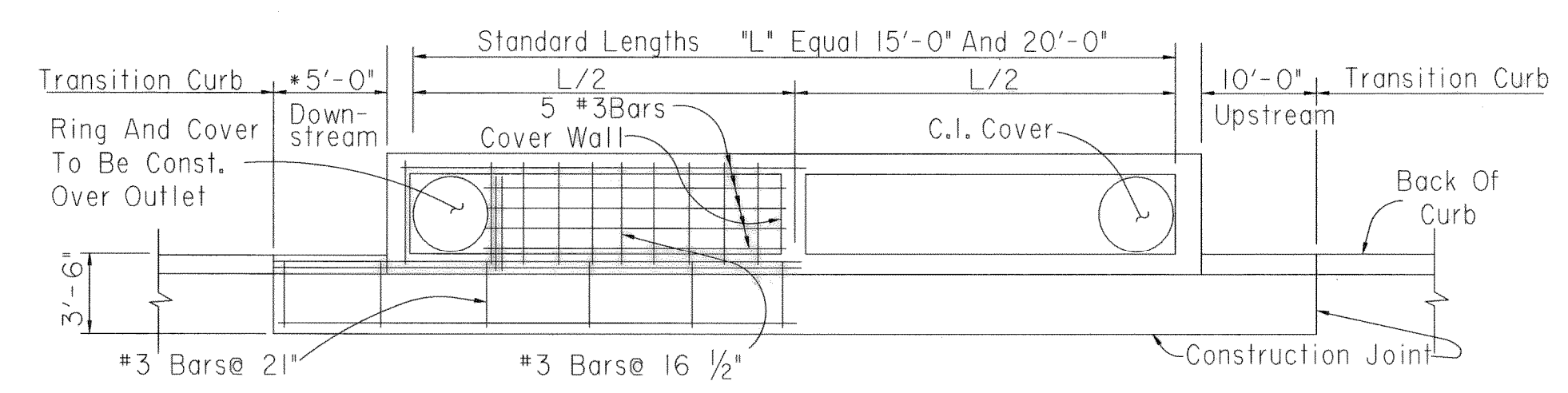


ELEVATION

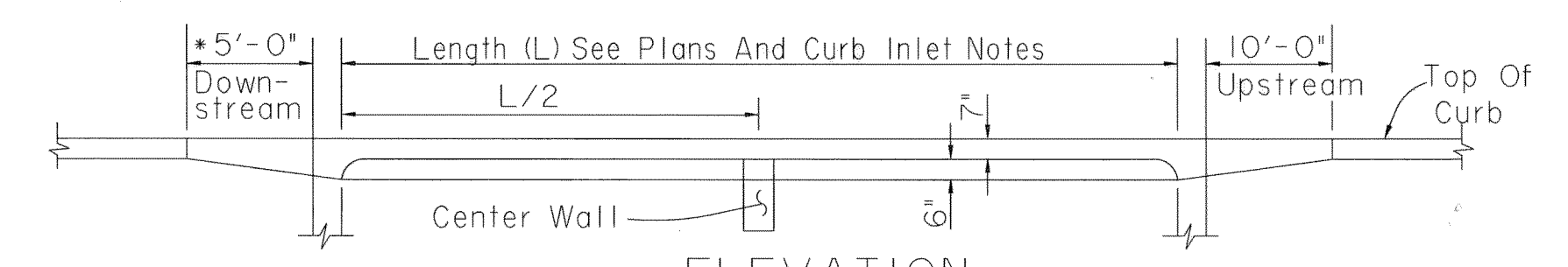
5' AND 10' CURB INLETS



CENTER WALL REINFORCING  
15' AND 20' CURB INLET  
Not To Scale

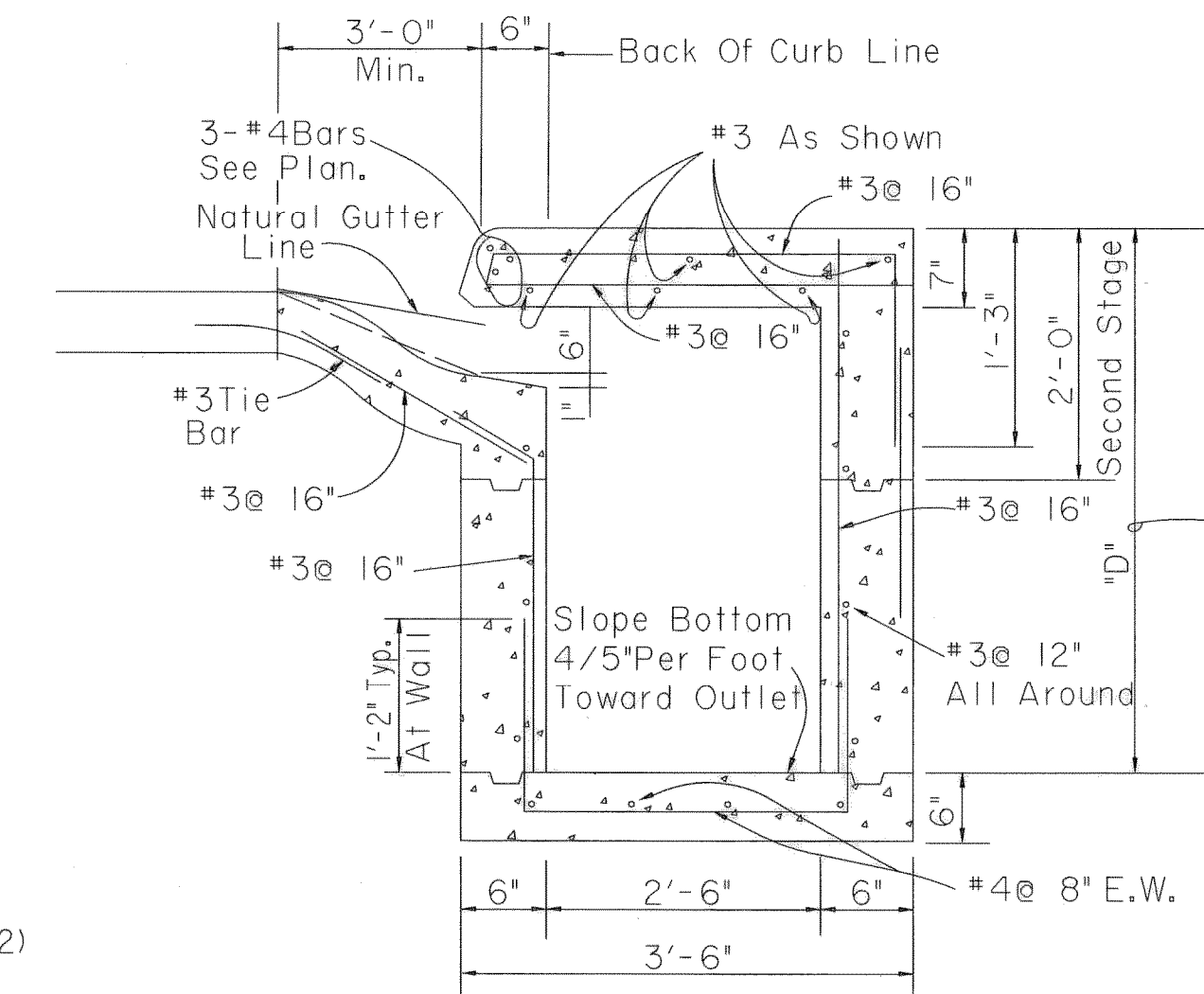


PLAN



ELEVATION

15' AND 20' CURB INLETS  
Not To Scale

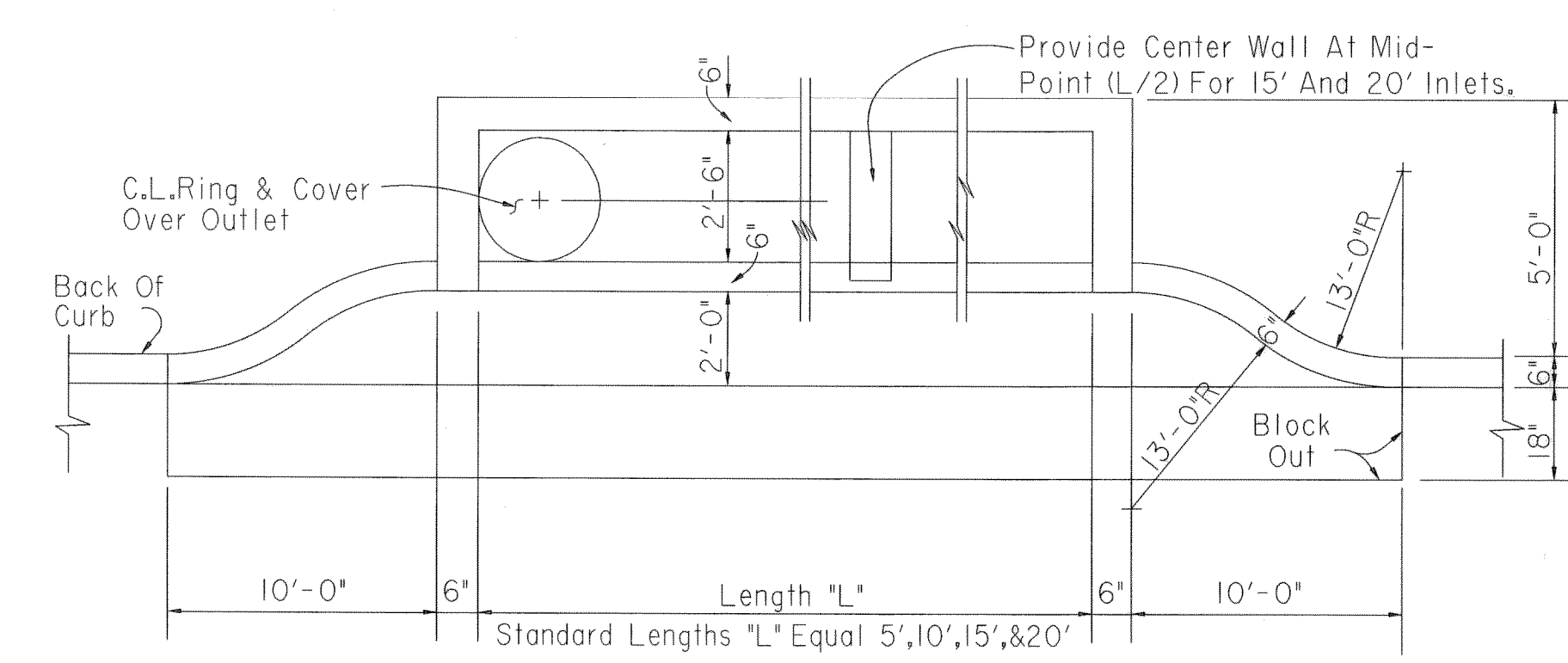


SECTION

CURB INLET NOTES

1. Provide Center Wall At Mid Point (L/2) For 15'-0" And 20'-0" Inlets
2. Provide Two Frames And Covers For 15'-0" And 20'-0" Inlets
3. Provide Manhole Steps At Each Manhole

STANDARD CURB INLETS



RECESSED CURB INLET  
Not To Scale

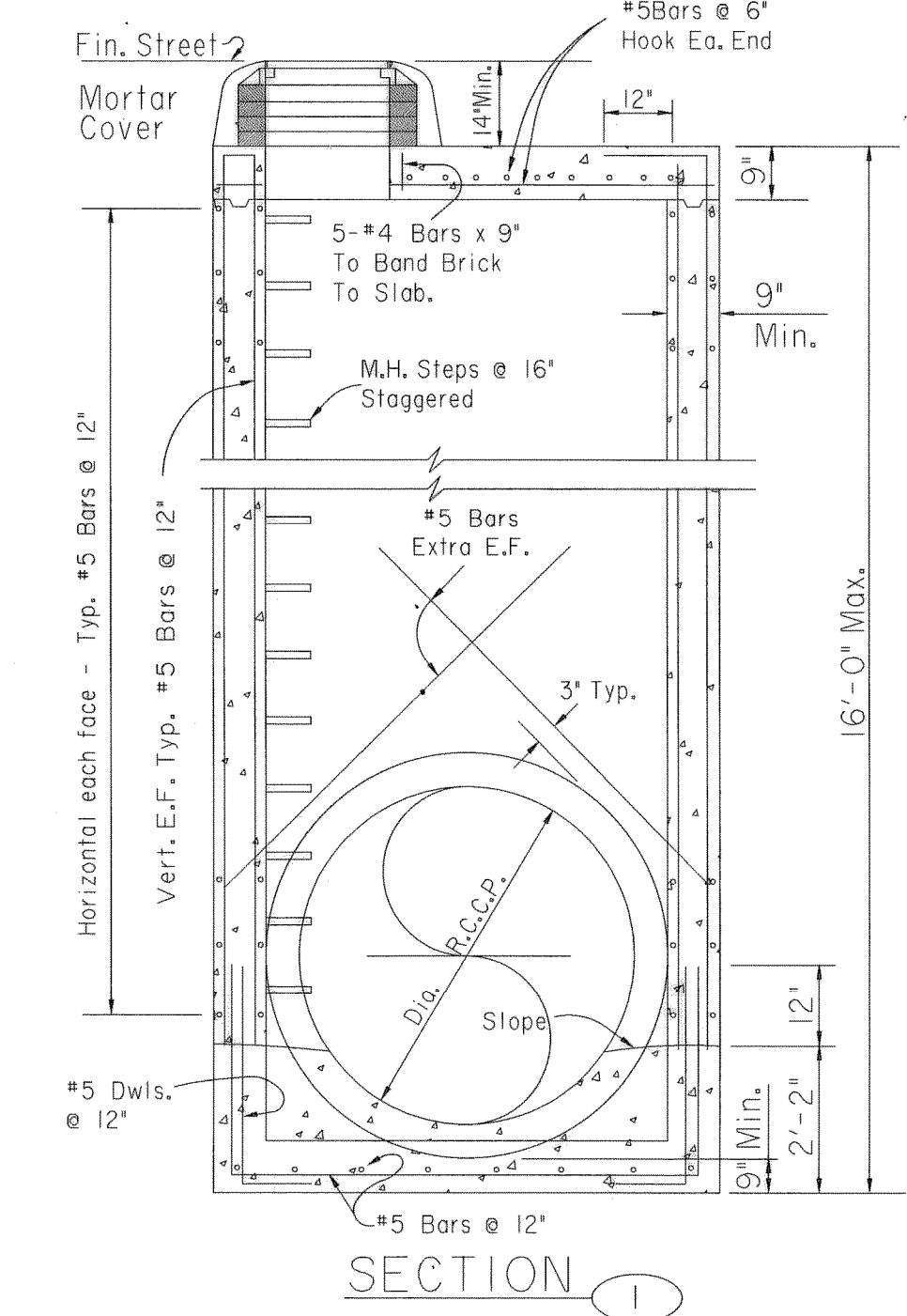
CRUSHED LIMESTONE, TYPE 1, EMBEDMENT crushed limestone shall consist of druable particles of crushed stone ranging in size from 3/4" to 1/4" with percent of wear not exceeding 35%. The gradation based on ASTM D448 size 67, use as follows:

Sieve Size	% By Weight Passing
1"	100
3/4"	90 - 100
20"	20 - 55
No. 4	0 - 10
No. 8	0 - 5

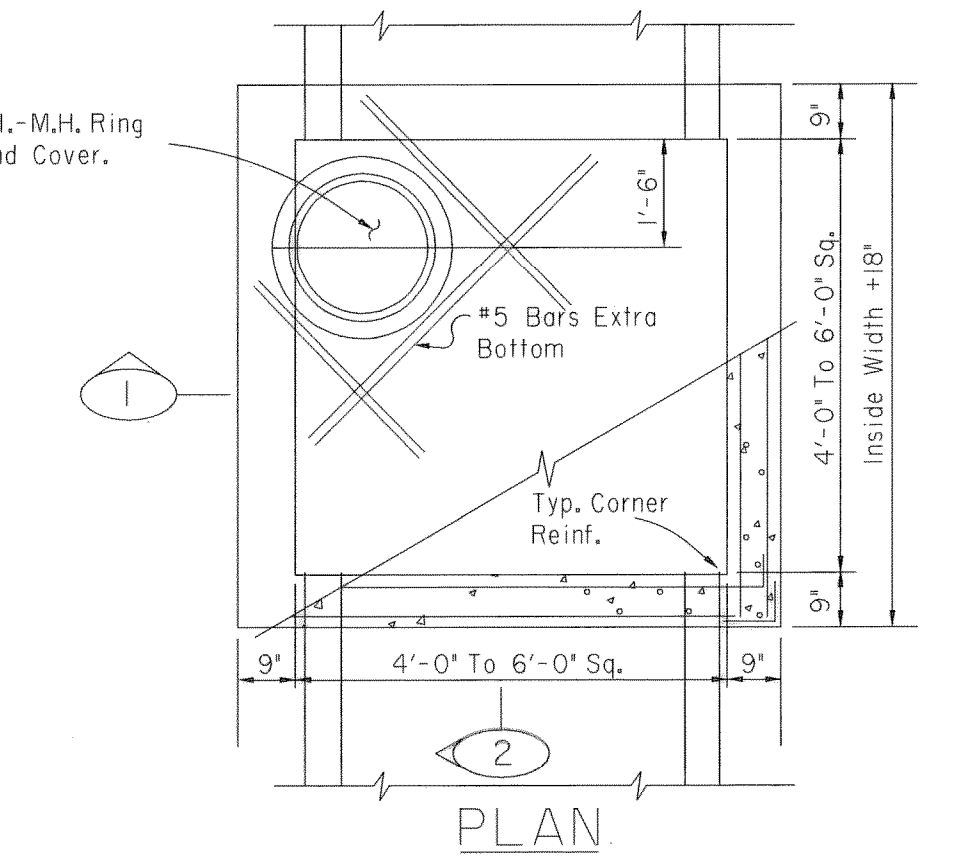
GRAVEL, TYPE 2, EMBEDMENT gravel for embedment and/or encasement shall be washed gravel ranging in size from 3/4-inch diameter to 1/4-inch diameter meeting the requirements of ASTM Designation C33, Gradation 67, the material shall be free from clay and organic material.

SELECT MATERIAL

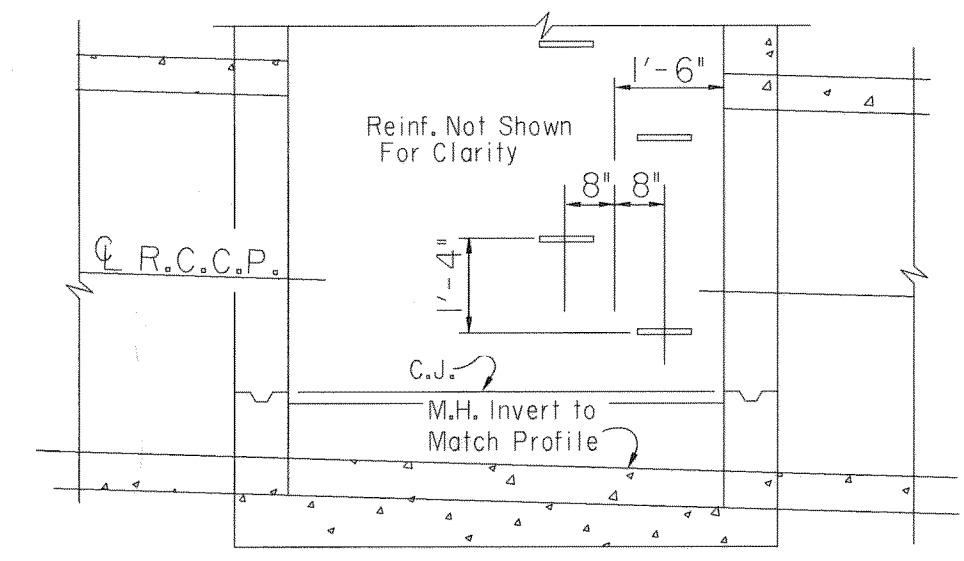
A non-expansive soil with sufficient permeability characteristics to allow rapid elimination of seepage water shall be used and shall have a plasticity index of 10 or less.



SECTION 1

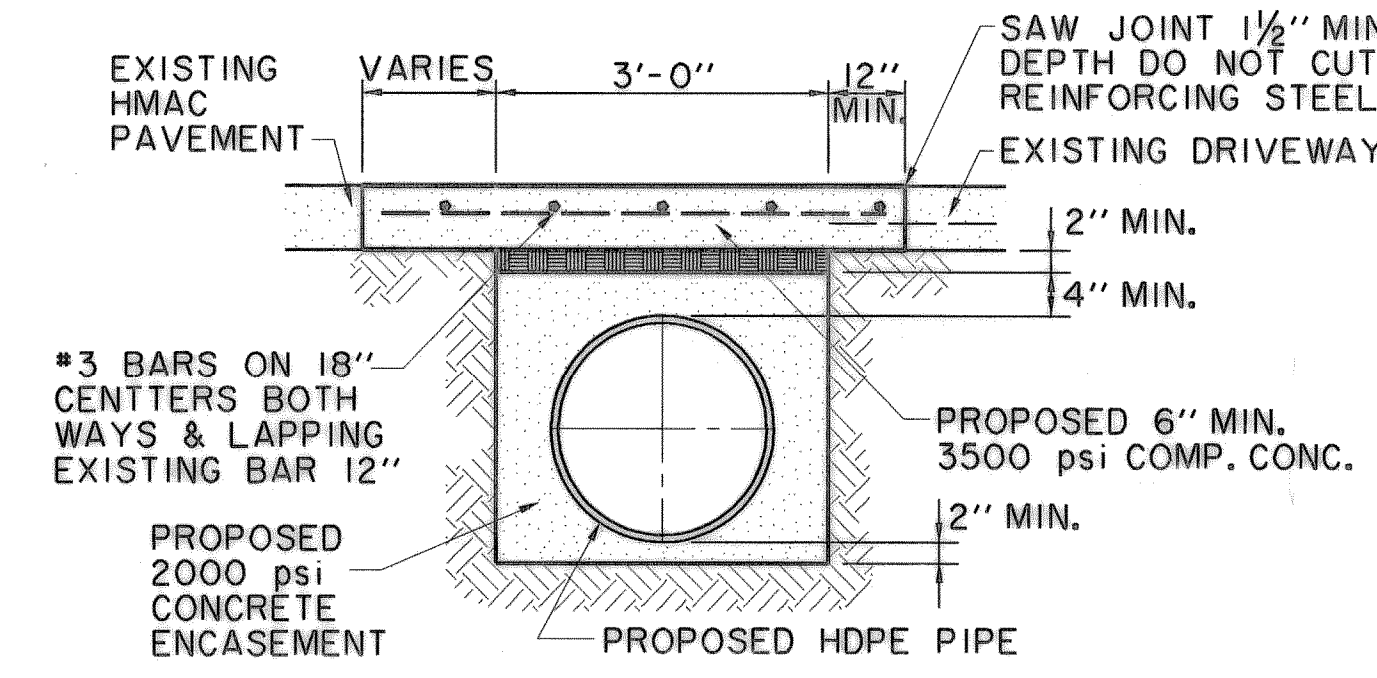


PLAN



SECTION 2

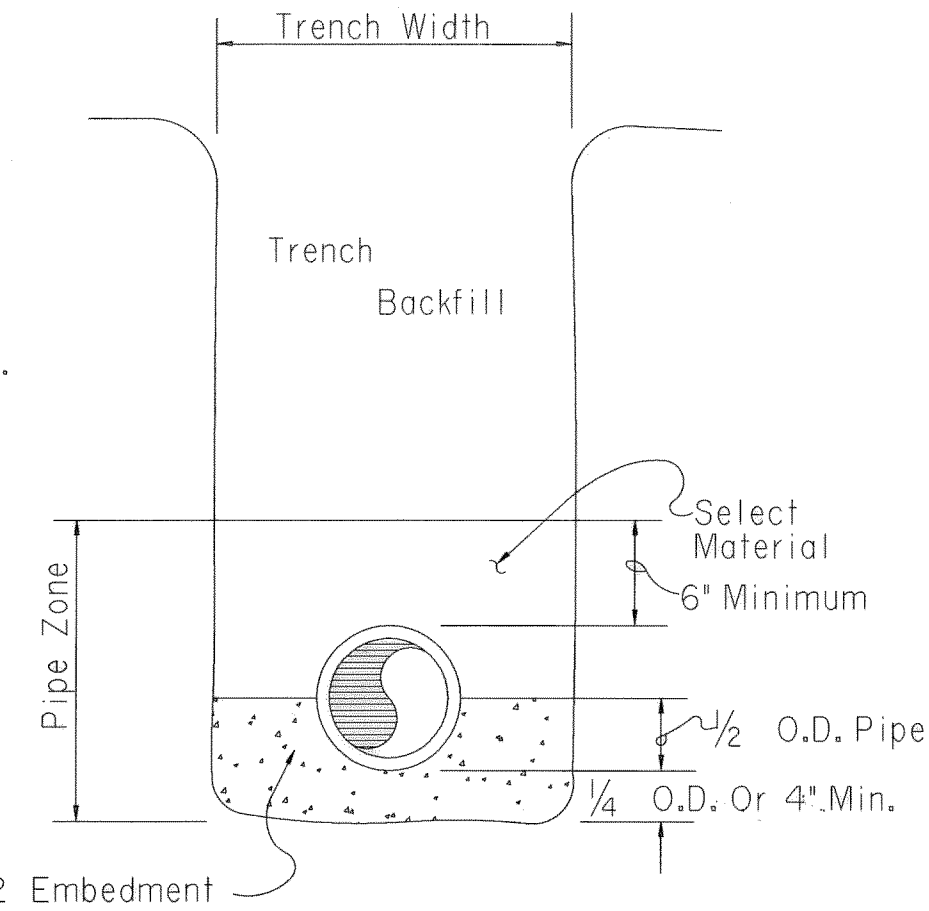
4'-0" TO 6'-0" SQ. STORM DRAIN M.H.  
Not To Scale



HDPE EMBEDMENT &  
CONCRETE DRIVEWAY REPAIR  
ON SAM HOUSTON STREET  
N.T.S.

GENERAL NOTES

1. PROVIDE A MINIMUM OF 2 INCHES CLEAR CONCRETE COVER ON REINFORCING FOR TOP SURFACE OF INLET AND MANHOLE COVERS.
2. PROVIDE A MINIMUM OF 1-1/2 INCHES OF CLEAR CONCRETE COVER ON REINFORCING FOR INLET AND MANHOLE WALLS AND BASES.
3. TRIM STEEL TO CLEAR PIPE AT OUTLET.



PIPE EMBEDMENT DETAIL

STORMWATER DETAILS						
STANDARD DETAILS						
ROCKWALL, TEXAS						
CITY OF ROCKWALL						
"THE NEW HORIZON"						
DESIGN	DRAWN	APPR.	SCALE	DATE	PROJECT NO.	NO.
CITY OF ROCKWALL	N.T.S.	MAY 98	01226201	D-4		