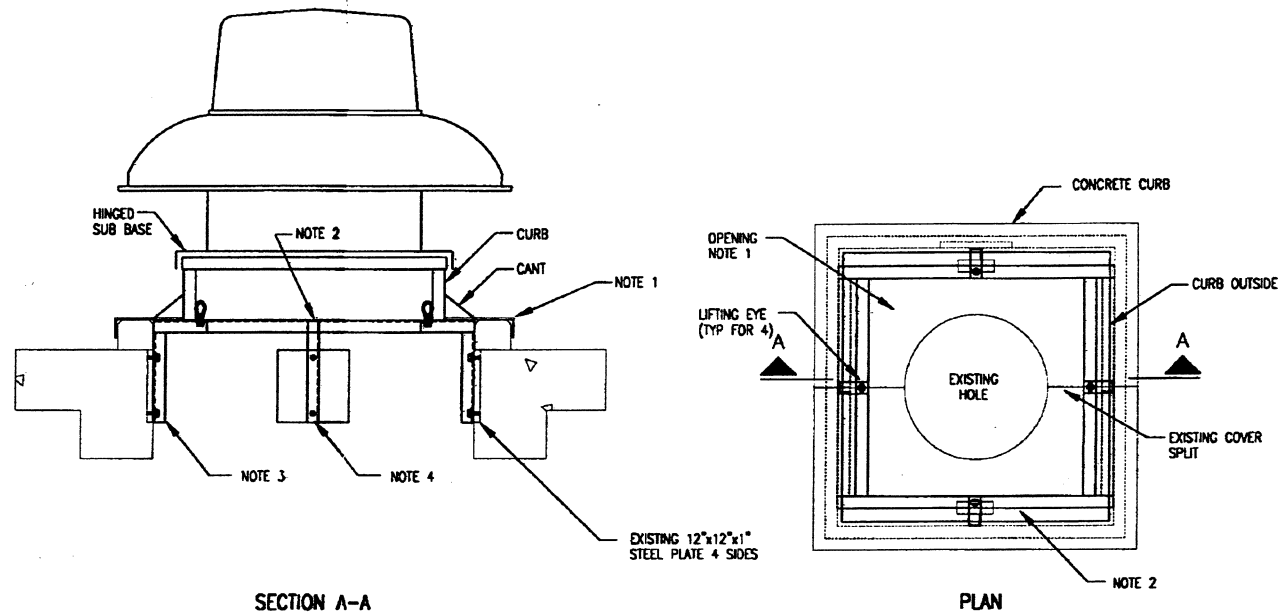


**ELEVATION - PUMP No.1**  
NOT TO SCALE

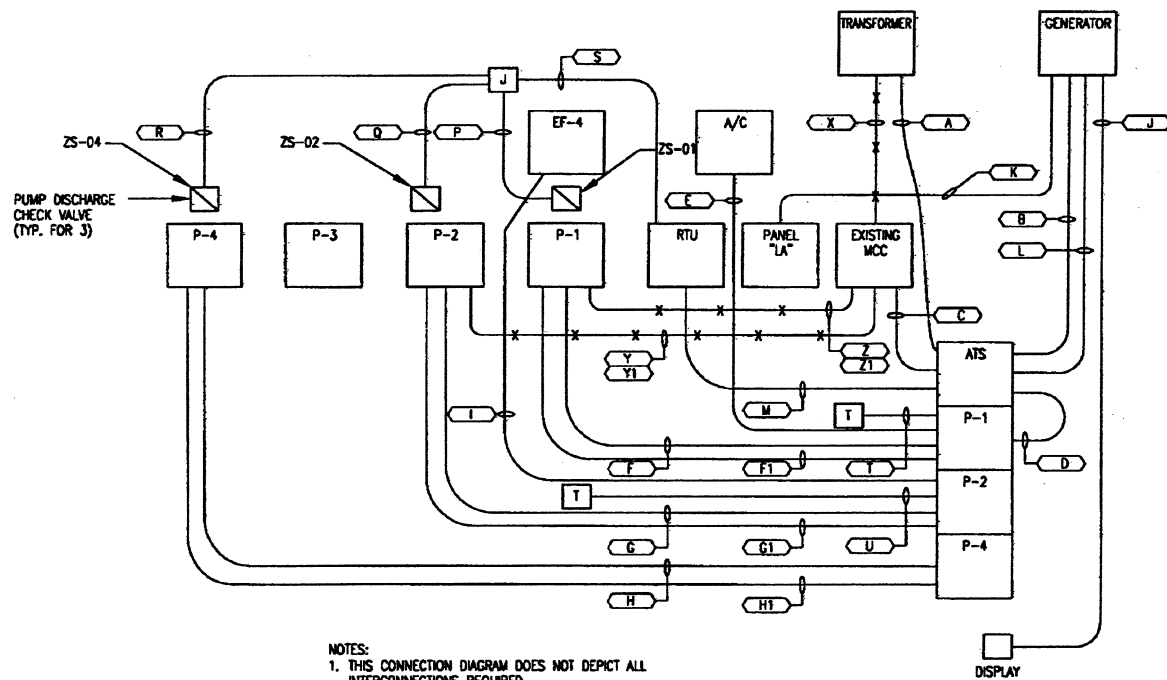


**SECTION A-A**

**PLAN**

- NOTES:
1. UTILIZE EXISTING 3/8" COVER PLATE. CUT OUT SQUARE OPENING FOR FAN CURB. SIZE PER MANUFACTURERS REQUIREMENTS.
  2. FABRICATE COVER SUPPORT FRAME AS SHOWN. DRILL AND TAP EXISTING 1" THICK EMBEDDED BASE AND BOLT SUPPORT FRAME THERETO.
  3. 2"x2"x1/4" GALVANIZED ANGLE. TOUCH UP GALVANIZED AFTER WELDING W/ GALVOWELD OR EQUAL.
  4. BOLT TO EXISTING 1" EMBEDDED PLATE 8 PLACES WITH 3/8"x16 ALLEN HEAD H.S. STL SCREWS. DRILL AND TAP PLATE. TORQUE TO 25 FT LBS.

**DETAIL - PUMP COVER SUPPORT FRAME**  
NOT TO SCALE



- NOTES:
1. THIS CONNECTION DIAGRAM DOES NOT DEPICT ALL INTERCONNECTIONS REQUIRED.

**BLOCK CONNECTION DIAGRAM**

RTU I/O SCHEDULE			
TAG DESCRIPTION	DI	DO	FIELD DEVICE
ZS-P1	1		PUMP DISCHARGE CHECK VALVE
ZS-P2	1		PUMP DISCHARGE CHECK VALVE
ZS-P4	1		PUMP DISC. CHECK VALVE (ALT.)
RUN/STOP P1		1	MCC-2 P-1
RUN/STOP P2		1	MCC-2 P-2
RUN/STOP P4		1	MCC-2 P-4 (ALT)
P1 ON	1		MCC-2 P-1
P2 ON	1		MCC-2 P-2
P4 ON	1		MCC-2 P-4 (ALT)
P1 FAIL	1		MCC-2 P-1
P2 FAIL	1		MCC-2 P-2
P4 FAIL	1		MCC-2 P-4 (ALT)
GENERATOR RUN	1		EXERCISE
GENERATOR CARRYING LOAD	1		CARRYING LOAD
GENERATOR ALARM	1		COMBINATION ALARM
TOTAL	12	3	

EXISTING SQUARE D (MODICON) REQUIRES ADDITION OF EXTENDER MODULE OR REPLACEMENT OF EXISTING PLC TO PROVIDE THESE INPUTS.

*This record drawing is a compilation of the sealed engineering drawing for this project; modified by addenda, change orders and information furnished by the contractor. The information shown on the record drawings that was provided by the contractor or others not associated with the design engineer cannot be verified for accuracy or completeness. This original sealed drawings are on file at the offices of Birkhoff, Hendricks & Conway, L.L.P.*  
BY G.C.H. DATE 05/06/09

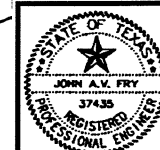
These plans and related specifications were prepared for construction of this specific project only. Reuse of these documents is not permitted without written authorization of Shimek, Jacobs & Finklea.

**CITY OF ROCKWALL, TEXAS**

**EASTSIDE PUMP STATION  
ELECTRICAL DETAILS II**

**SHIMEK, JACOBS & FINKLEA, L.L.P.**  
CONSULTING ENGINEERS  
Dallas, Texas

DESIGNED BY: J. A. FRY PROJECT: 98 192 SHEET NO. 12  
DRAWN BY: R. E. BRADY DATE: APRIL 1999 OF 12 SHEETS



*Submitted 4-8-99*