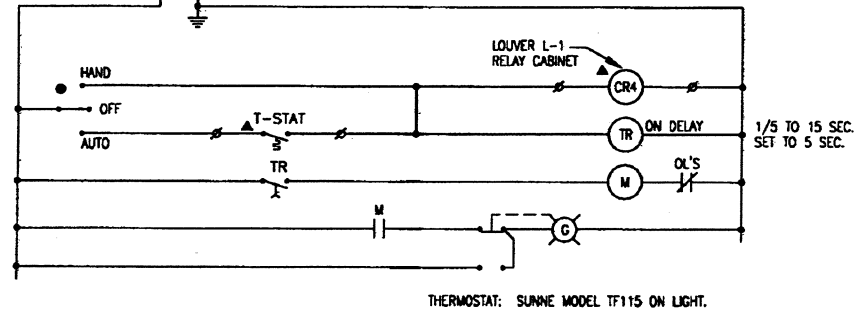
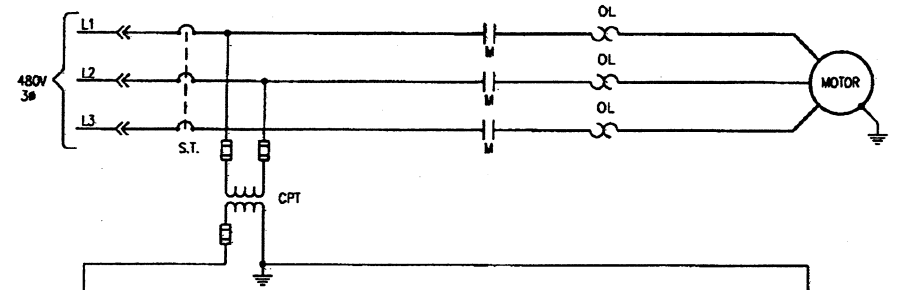


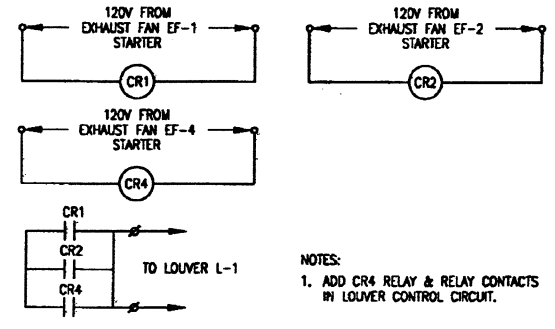
A6 OPTIONS  
 HDA RESET  
 CPT 3 IL  
 Y RUN RELAY  
 S SMOOTH STOP  
 NI NAMEPLATE

**SCHEMATIC - C-H 125 H.P. SOFT STARTERS**  
 TYPICAL FOR P-1, P-2 & P-4 (ALTERNATE)



THERMOSTAT: SUNNE MODEL TF115 ON LIGHT.

**SCHEMATIC - EF-4**



**SCHEMATIC - LOUVER L1 RELAY CABINET**

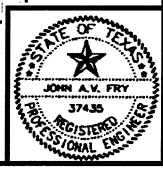
- LEGEND**
- DEVICE LOCATED IN DOOR OF MCC OR PANEL
  - ▲ DEVICE LOCATED REMOTE
  - ⊞ FIELD TERMINAL
  - ⌞ NORMALLY CLOSED CONTACTS
  - ⌞ NORMALLY OPEN CONTACTS
  - ⊞ FUSE
  - ⌞ DRAW-OUT CONTACTS
  - ⊞ "STOP" PUSH BUTTON
  - ⊞ "START" PUSH BUTTON
  - CR CONTROL RELAY COIL
  - TR TIMING RELAY COIL
  - ⌞ TR1 TIMED CONTACTS
  - ⊞ ETM ELAPSED TIME METER

*This record drawing is a compilation of the sealed engineering drawing for this project, modified by addenda, change orders and information furnished by the contractor. The information shown on the record drawings that was provided by the contractor or others not associated with the design engineer cannot be verified for accuracy or completeness. This original sealed drawings are on file at the offices of Birkhoff, Hendricks & Conway, L.L.P.*

BY G.C.H. DATE 05/06/09

These plans and related specifications were prepared for construction of this specific project only. Reuse of these documents is not permitted without written authorization of Shimek, Jacobs & Finklea.

*John A. Fry*  
 4-8-99



<b>CITY OF ROCKWALL, TEXAS</b>		
<b>EASTSIDE PUMP STATION ELECTRICAL SCHEMATICS</b>		
<b>SHIMEK, JACOBS &amp; FINKLEA, L.L.P.</b> CONSULTING ENGINEERS Dallas, Texas		
DESIGNED BY: J. A. FRY	PROJECT: 98 192	SHEET NO. 10
DRAWN BY: R. E. BRADY	DATE: APRIL 1999	OF 12 SHEETS

H:\PROJECTS\ROCKWALL\98192\SHEETS\98192-05.DWG 4/08/99 J.L.Y.