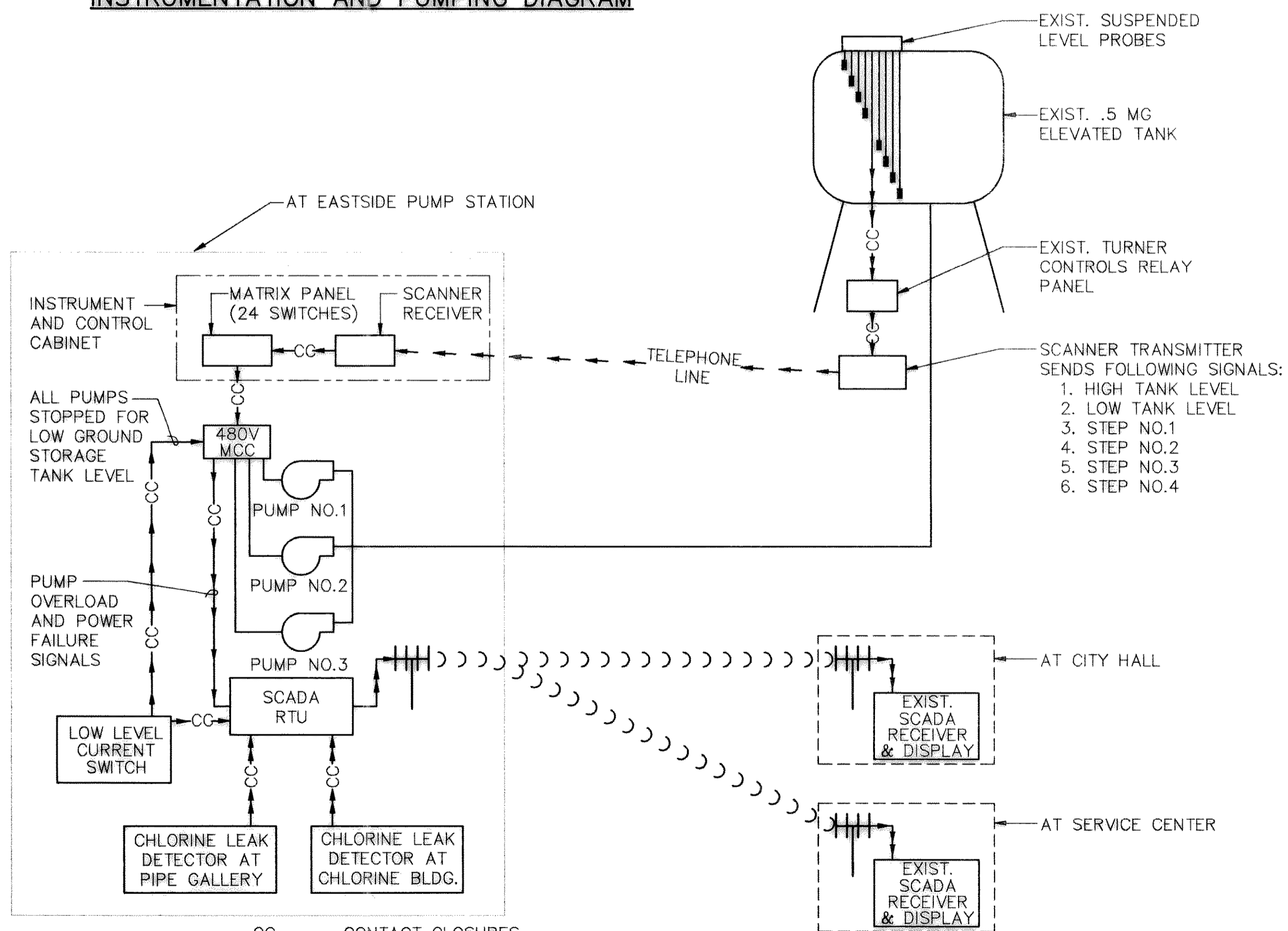
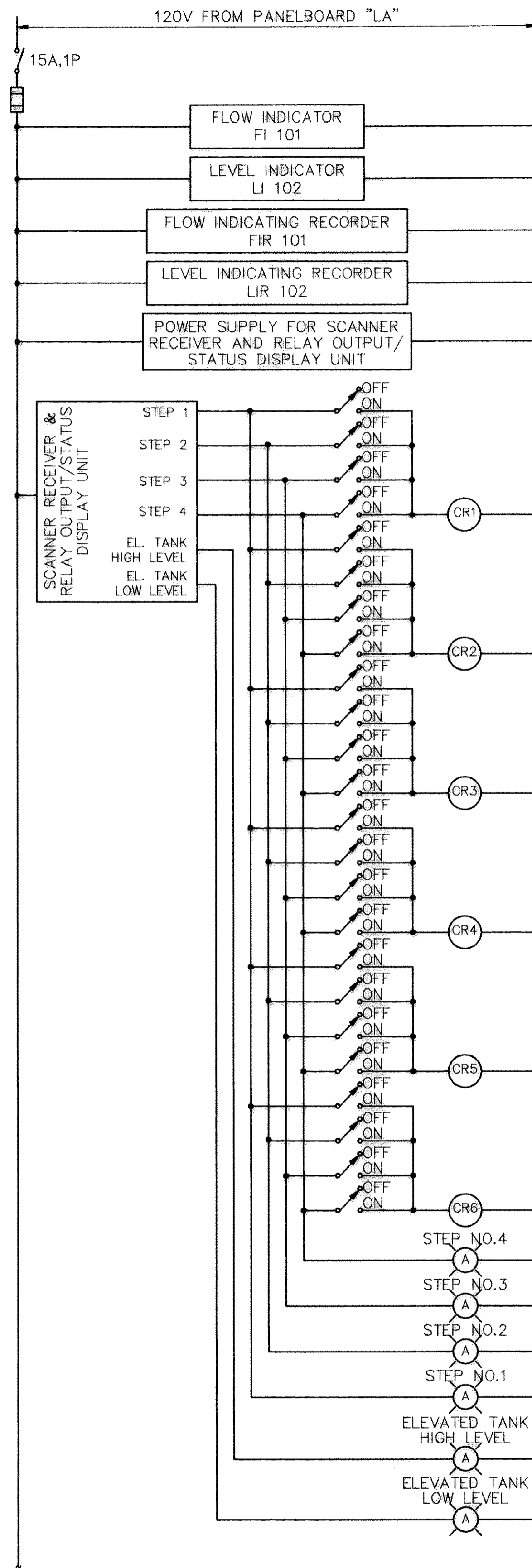


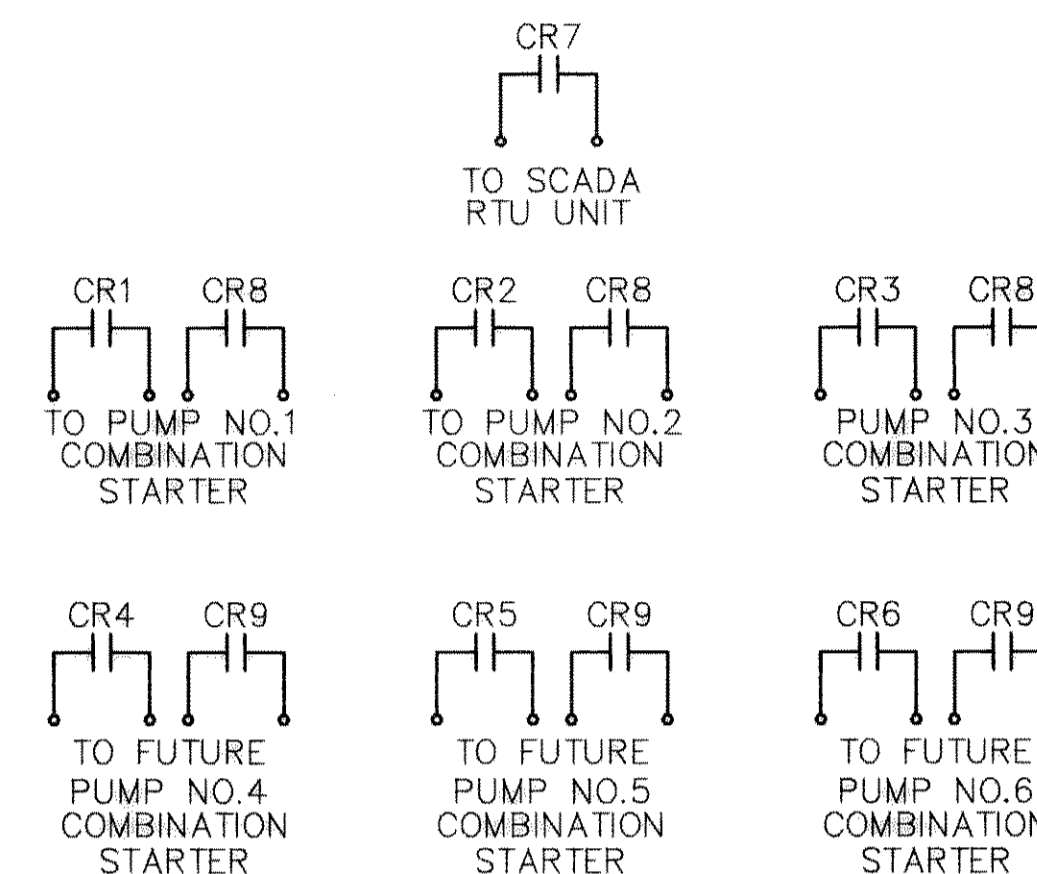
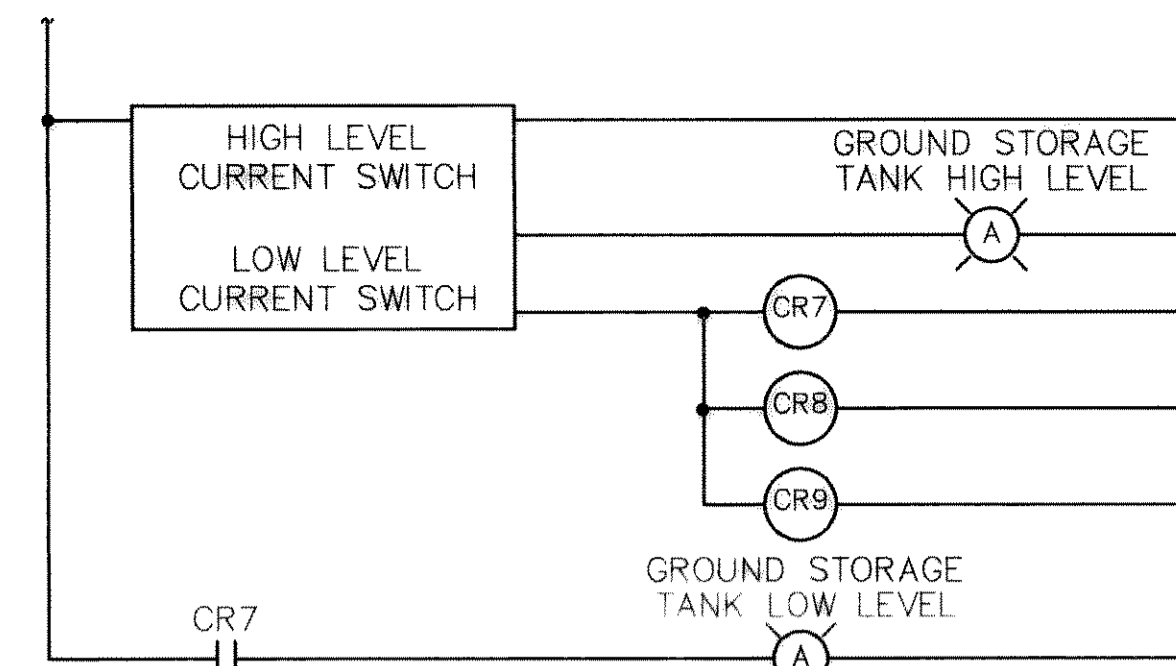
**INSTRUMENTATION AND PUMPING DIAGRAM**



**INSTRUMENTATION AND CONTROL DIAGRAM**



**CONTROL SCHEMATIC - INSTRUMENTATION AND CONTROL CABINET**



REFER TO GARICO, INC. JOB. No. 9114 DWGS 01,02,03 & 04 FOR CHANGES TO THIS SHT.

**RECORD DRAWING**  
 BASED ON INFORMATION SUPPLIED BY THE CONTRACTOR  
 DATE: 12/18/92 BY: MAC



ACAD Plot 12 User: Hugo Trevino  
 NA RESTORE EET\ROKDWG38.DWG  
 DEC 29, 1992 1:46:37 P.M.  
 ACAD/BJRD  
 D:\ROK90231\ROKDWG38.DWG

12/18/92	RECORD DRAWINGS FURNISHED BY CONTRACTOR	MAC	DESIGNED	JOB NO. ROK 89005	FREESSE AND NICHOLS, INC. CONSULTING ENGINEERS FORT WORTH-ARLINGTON-AUSTIN, TEXAS	CITY OF ROCKWALL, TEXAS EASTSIDE PUMP STATION	ELECTRICAL INSTRUMENTATION AND CONTROL	SHEET 38 OF 39
			DRAWN	DATE				
			TRACED	SCALE				
			CHECKED					