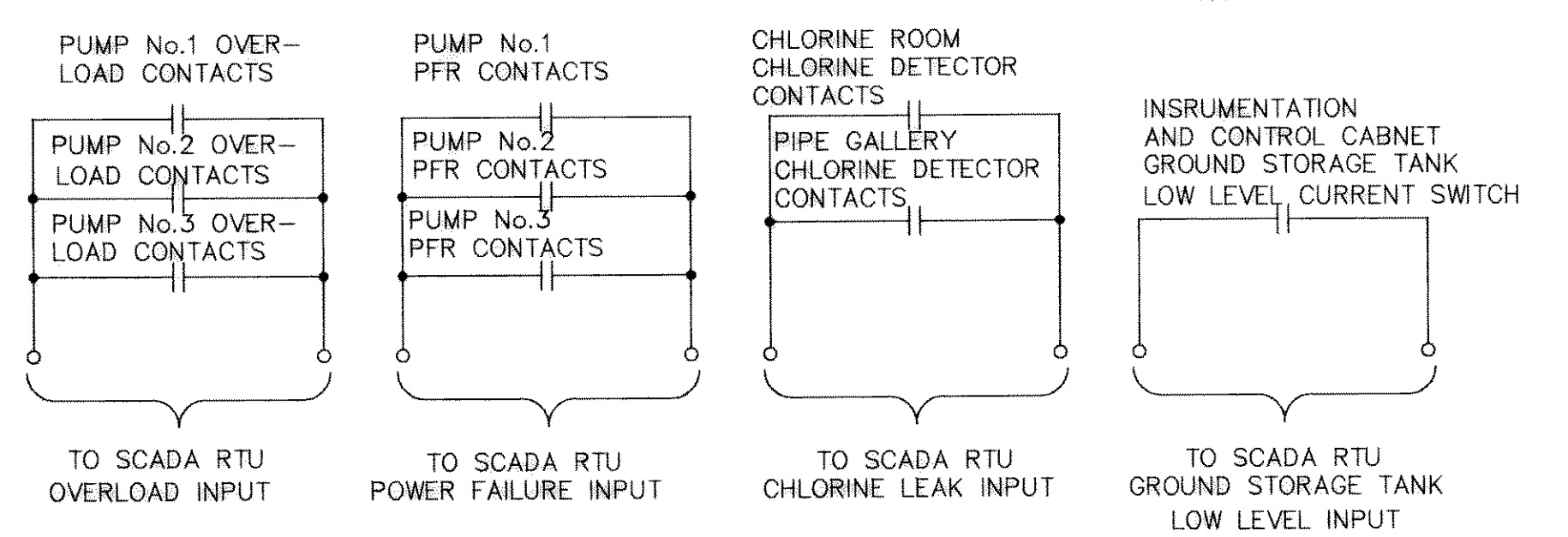
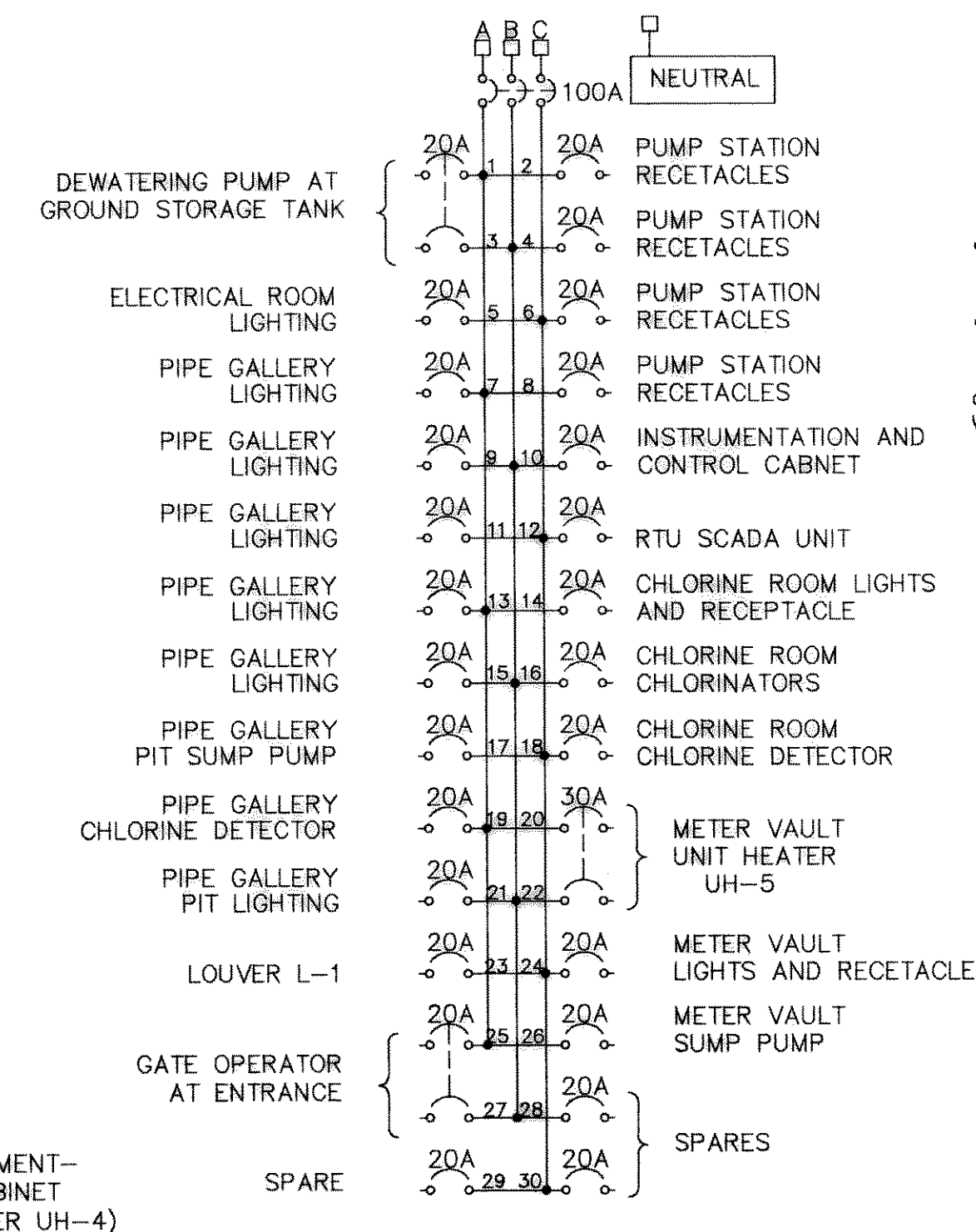


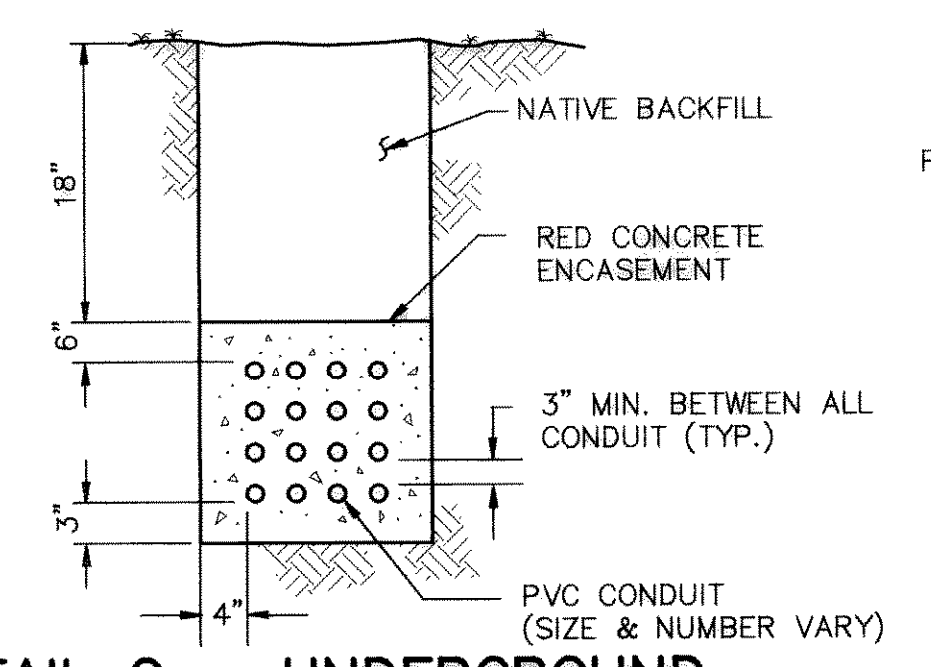
SCADA RTU AND INSTRUMENTATION AND CONTROL CABINET PLAN

DETAIL B - SCADA ANTENNA MOUNTING

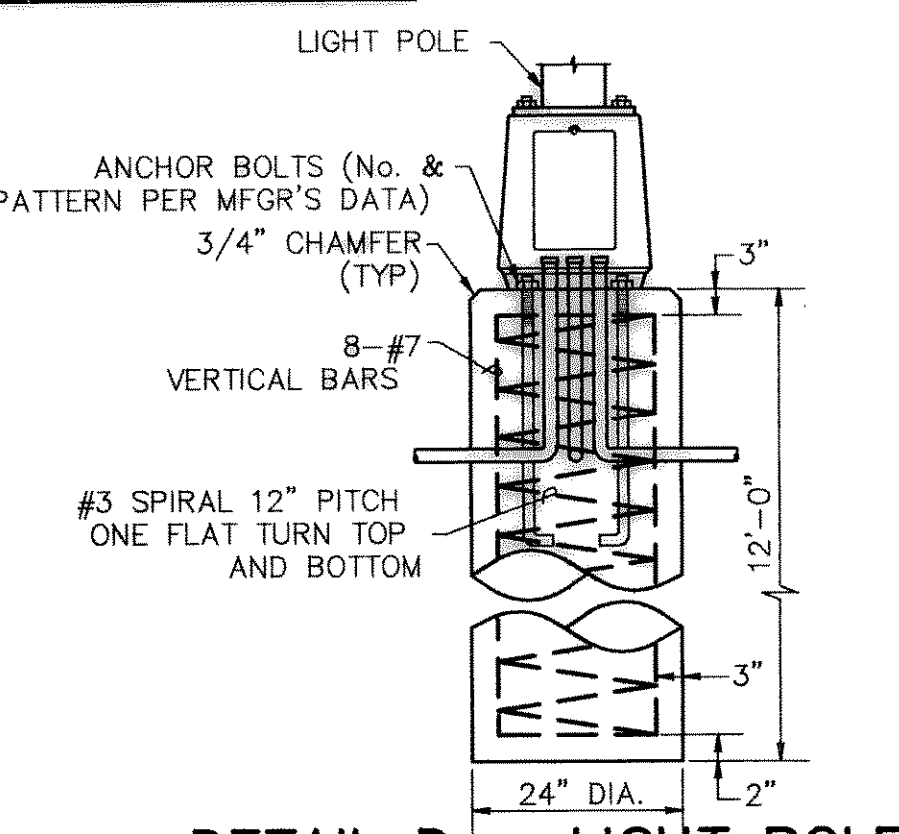
DETAIL A FLOW TRANSMITTER MOUNTING



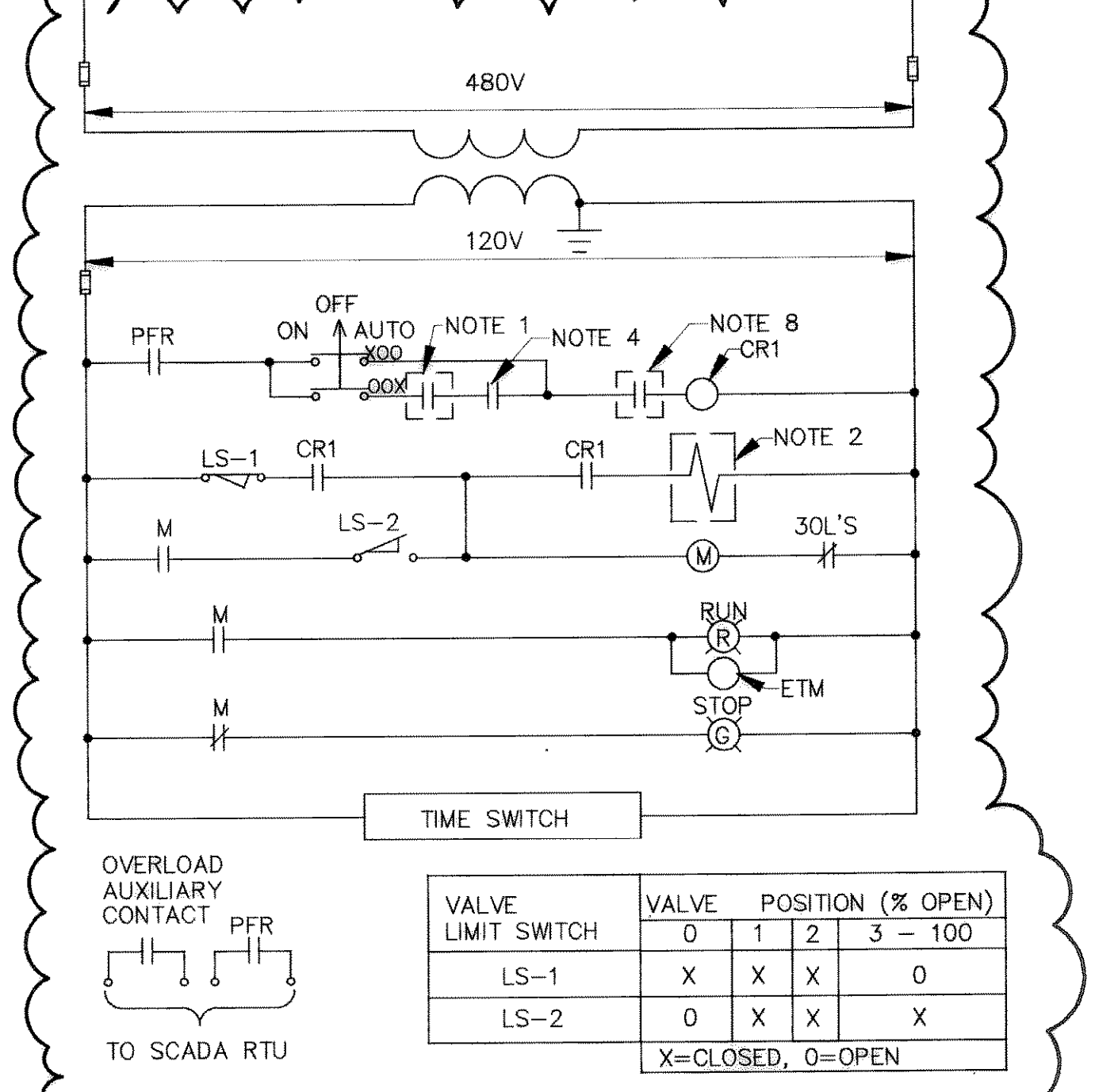
CONTROL SCHEMATIC - SCADA RTU INPUTS



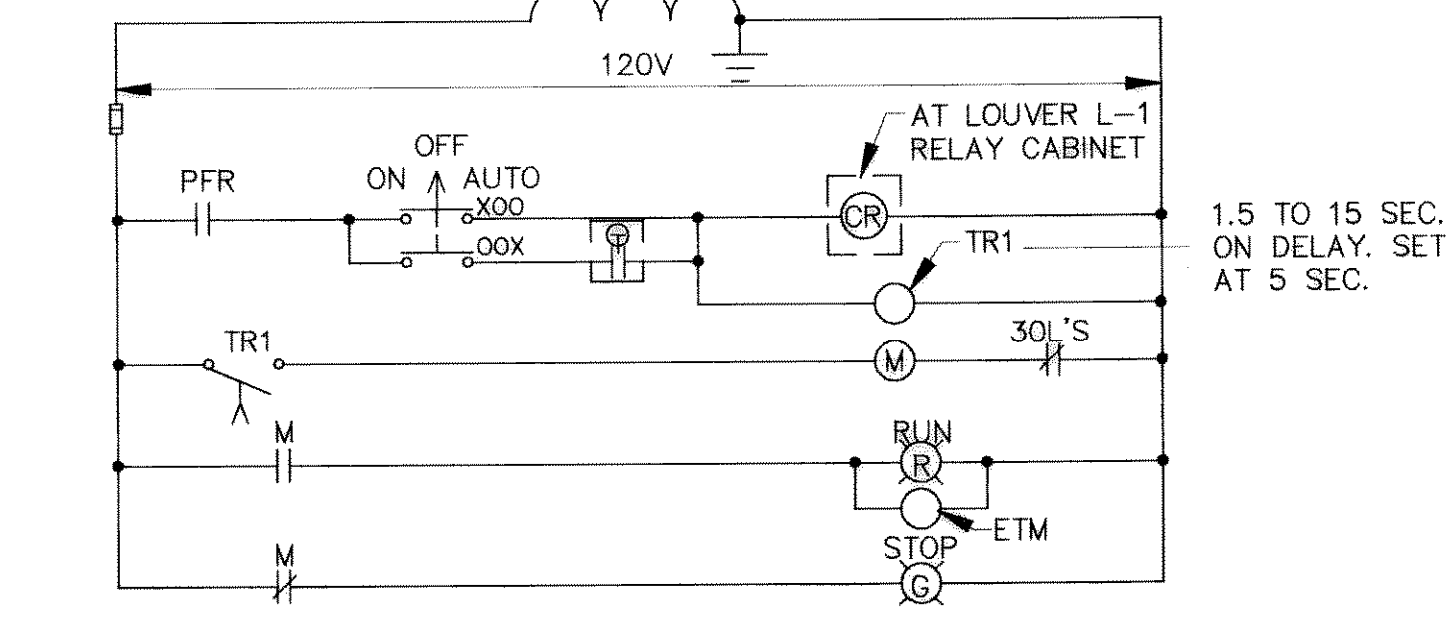
DETAIL C - UNDERGROUND CONDUIT DETAIL



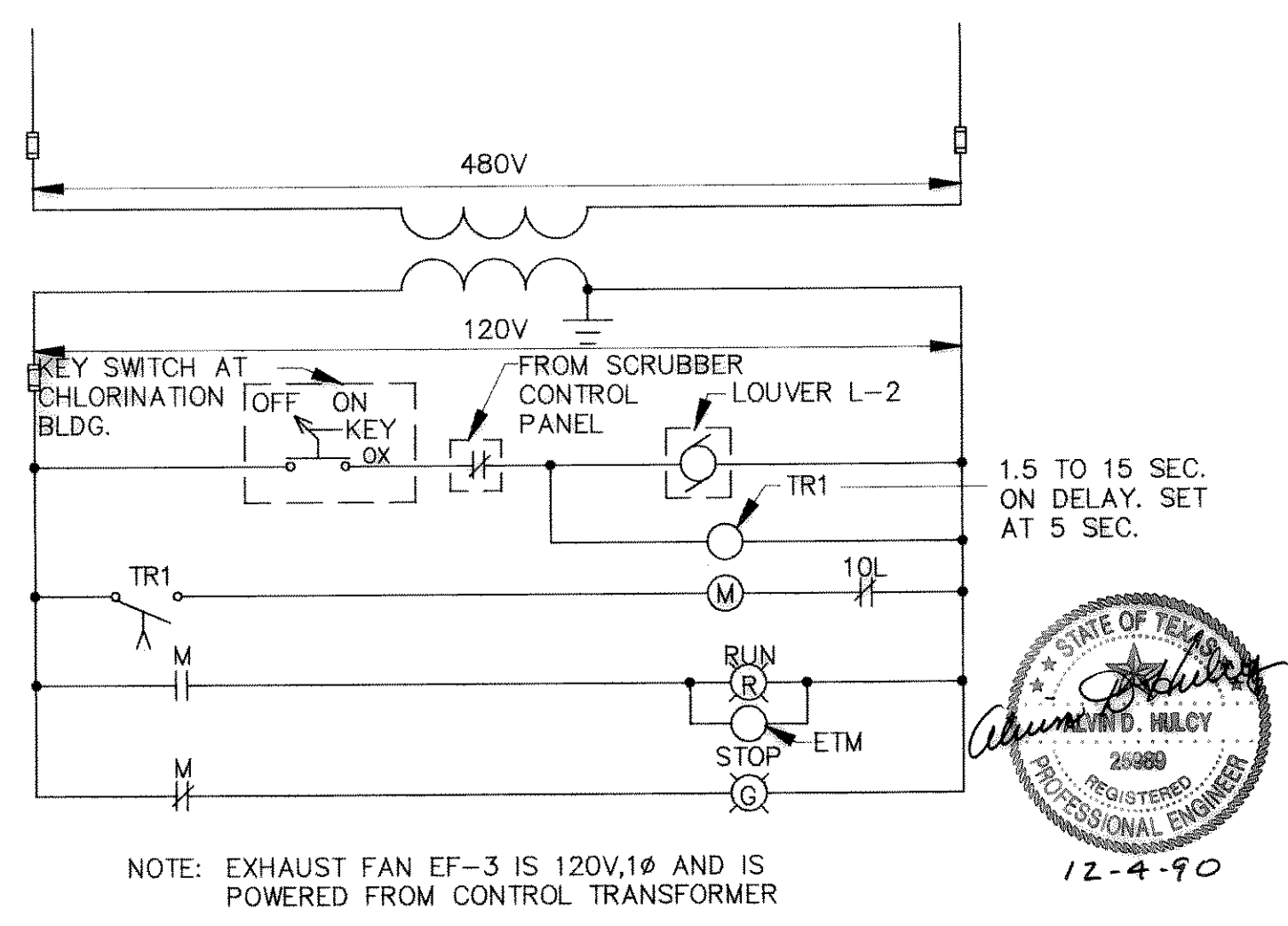
DETAIL D - LIGHT POLE BASE DETAIL FOR TYPE 'C' FIXTURES



CONTROL SCHEMATIC - PUMP NO. 1



CONTROL SCHEMATIC - EXHAUST FAN EF-1



CONTROL SCHEMATIC EXHAUST FAN EF-3

RECORD DRAWING
BASED ON INFORMATION SUPPLIED BY THE CONTRACTOR
DATE: 12/17/92 BY: MAC

ACAD, Rev. 12
User: Hugo.Trempino
REVISED: ELETY.RODRIGUEZ.DWG
DEC 29, 1992 10:48:57 A.M.

DATE	REVISION
12/17/92	CHANGE PER CHANGE ORDER # 4
12/17/92	CHANGE PER FIELD ORDER # 12

DESIGNED BY	DATE	JOB NO.
MAC	11/12/90	ROK89005
DRAWN BY	DATE	SCALE
MAC		AS SHOWN

FREESE AND NICHOLS, INC.
CONSULTING ENGINEERS
FORT WORTH - ARLINGTON - AUSTIN, TEXAS

CITY OF ROCKWALL, TEXAS
EASTSIDE PUMP STATION

ELECTRICAL
CHLORINATION FACILITY

SHEET
36 OF 39