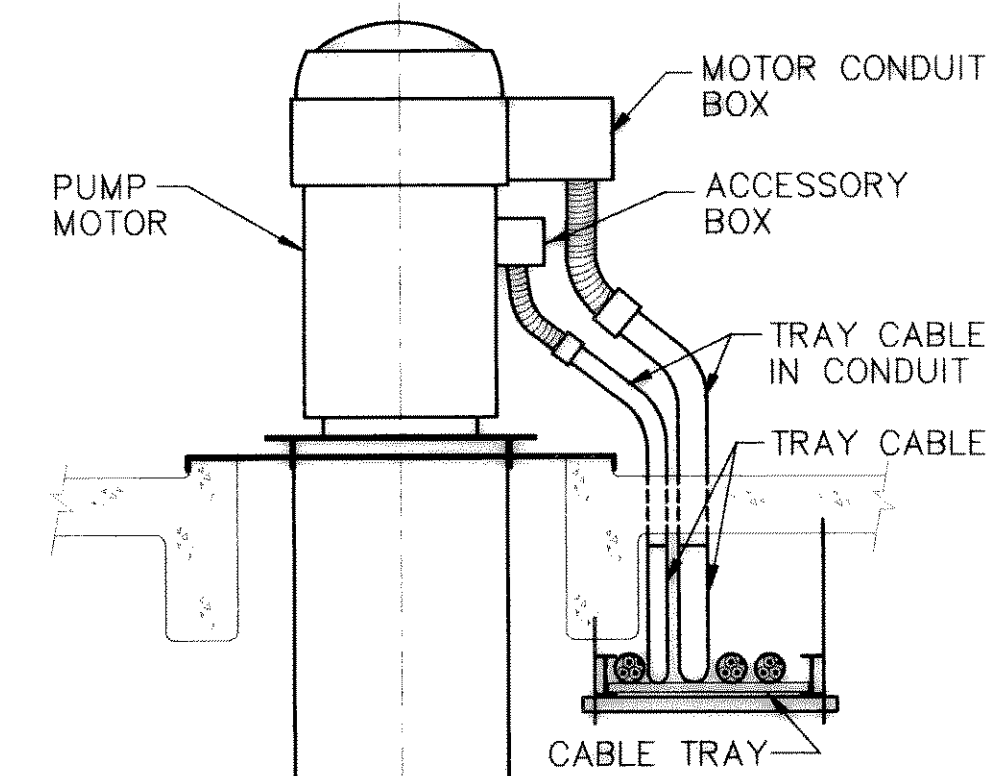
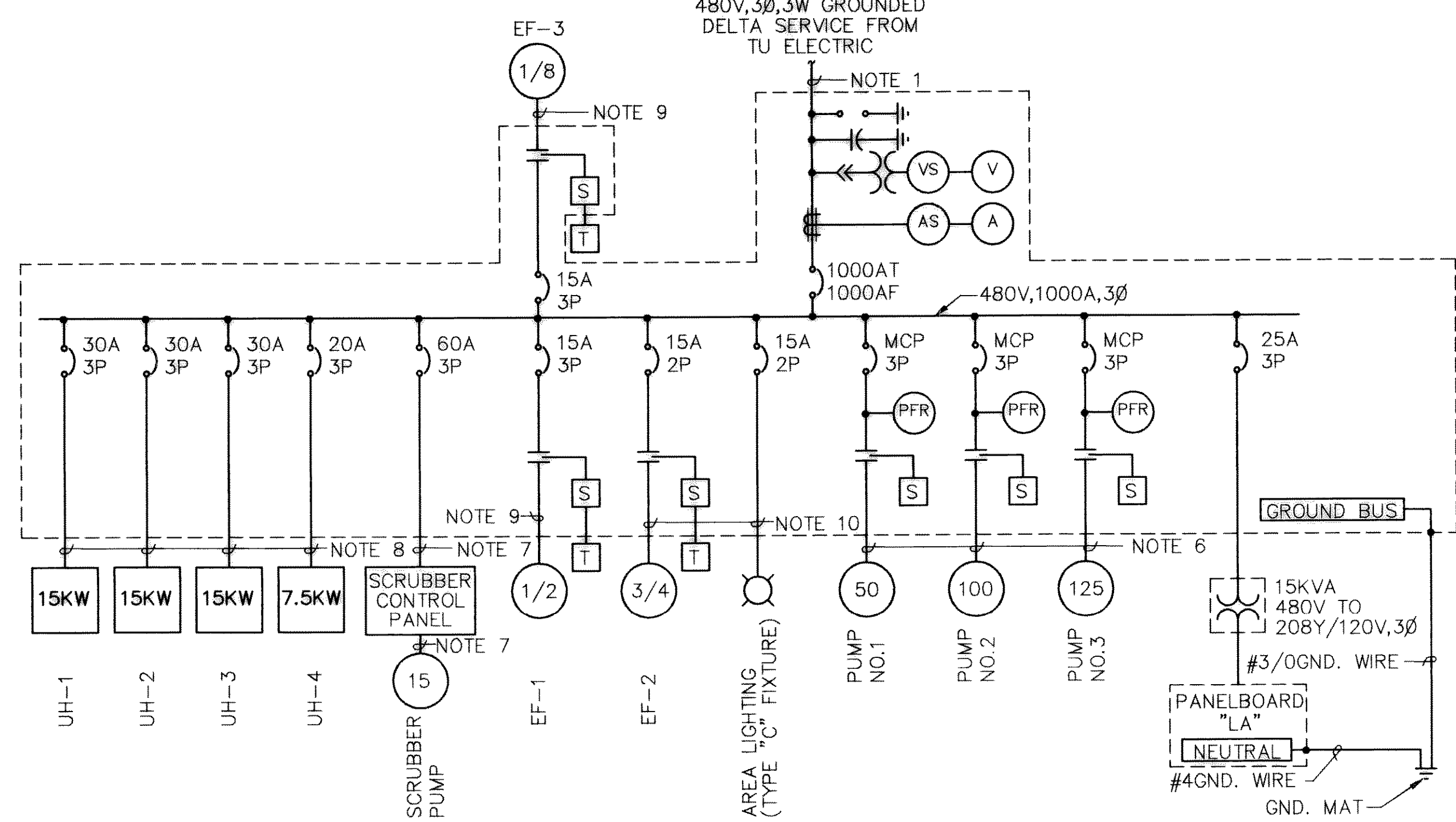


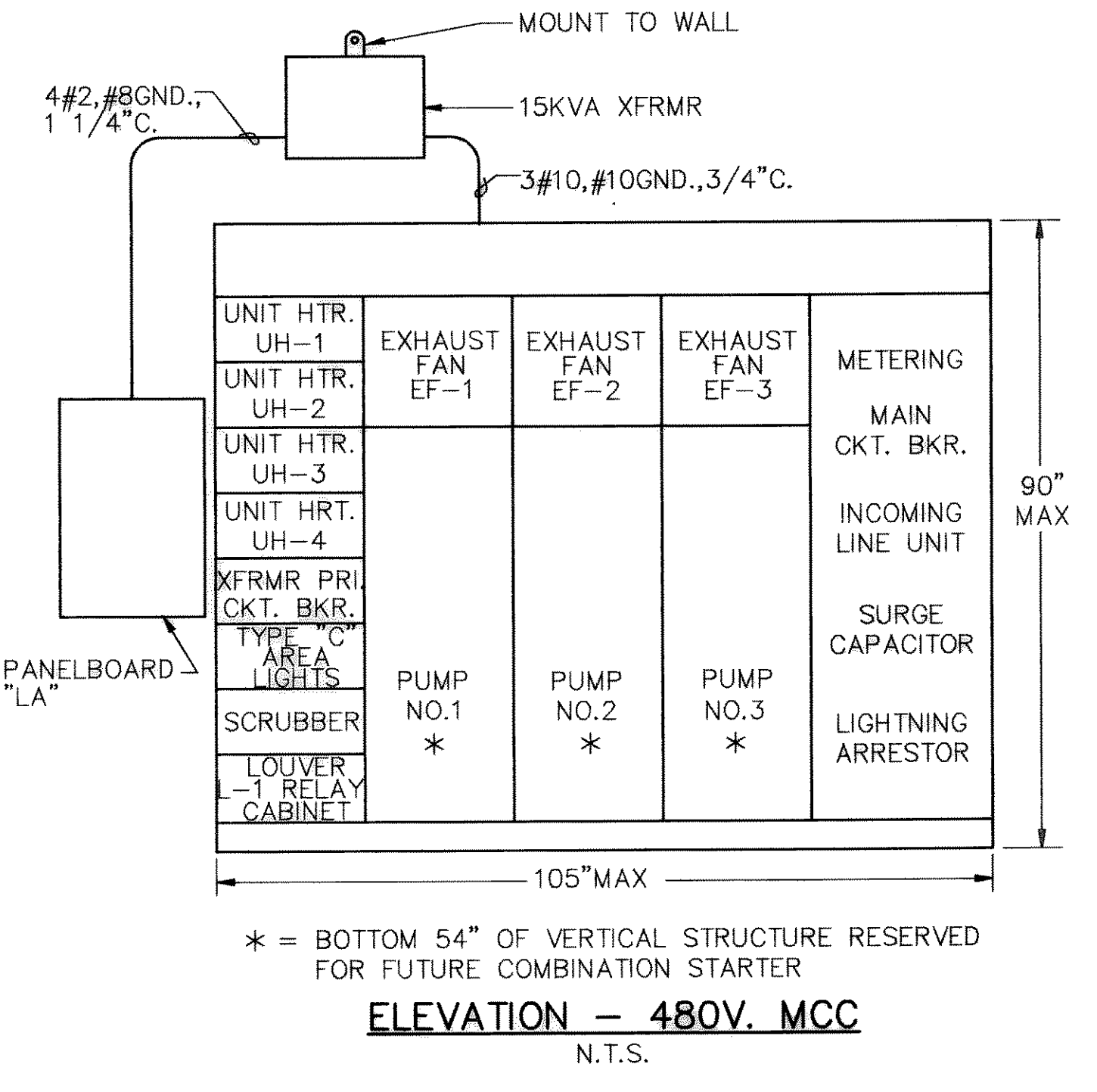
DETAIL B - GND. MAT DETAIL
N.T.S.



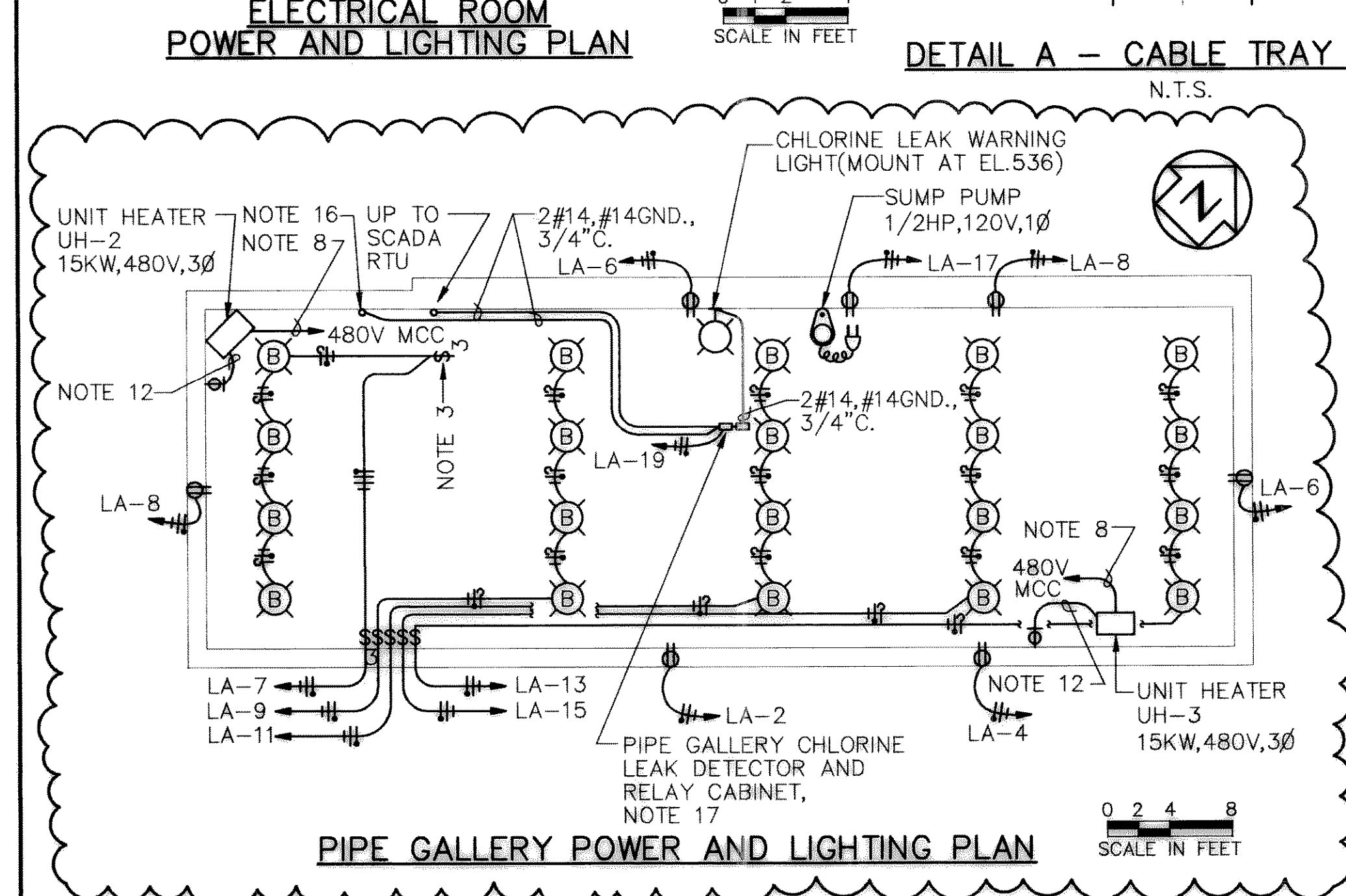
DETAIL A - CABLE TRAY DETAIL
N.T.S.



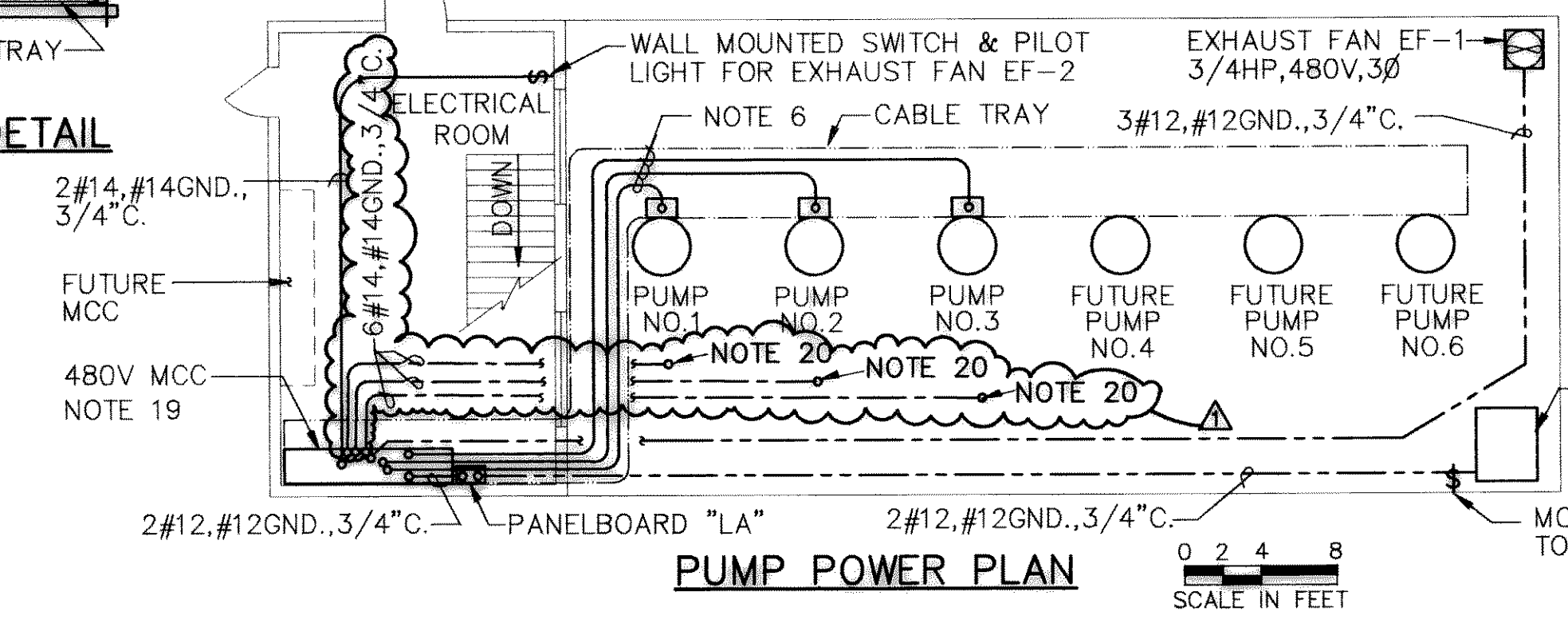
480V MCC ONE LINE DIAGRAM



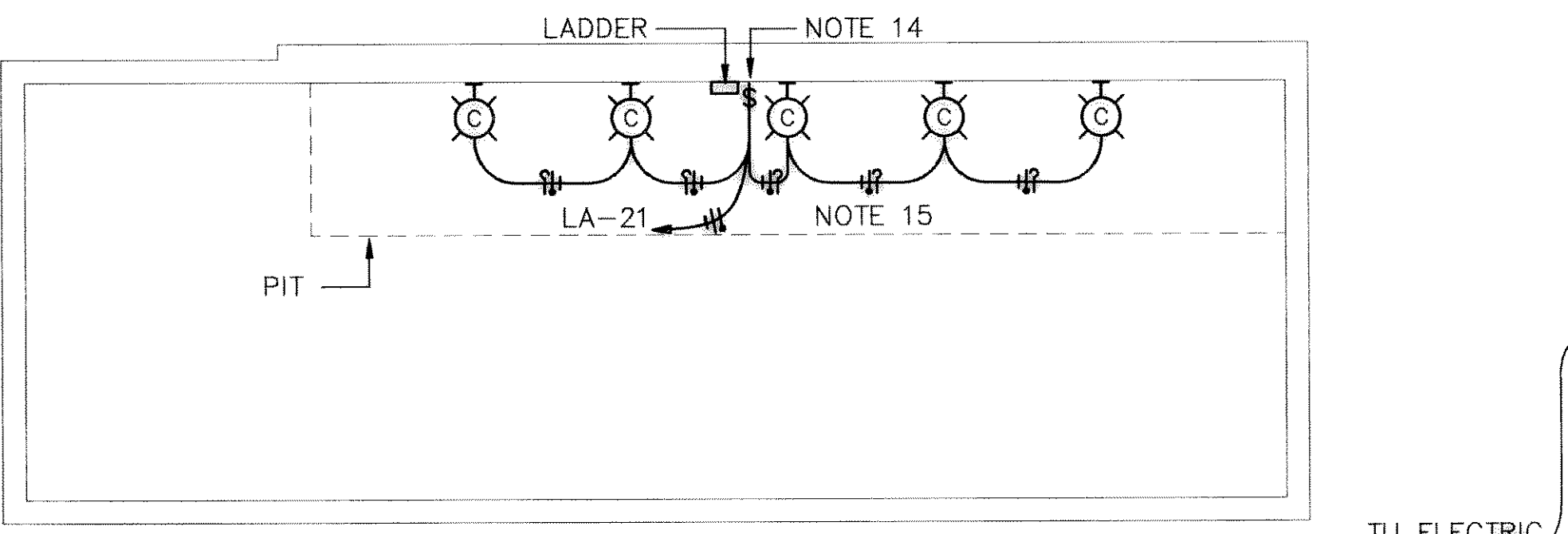
ELEVATION - 480V. MCC
N.T.S.



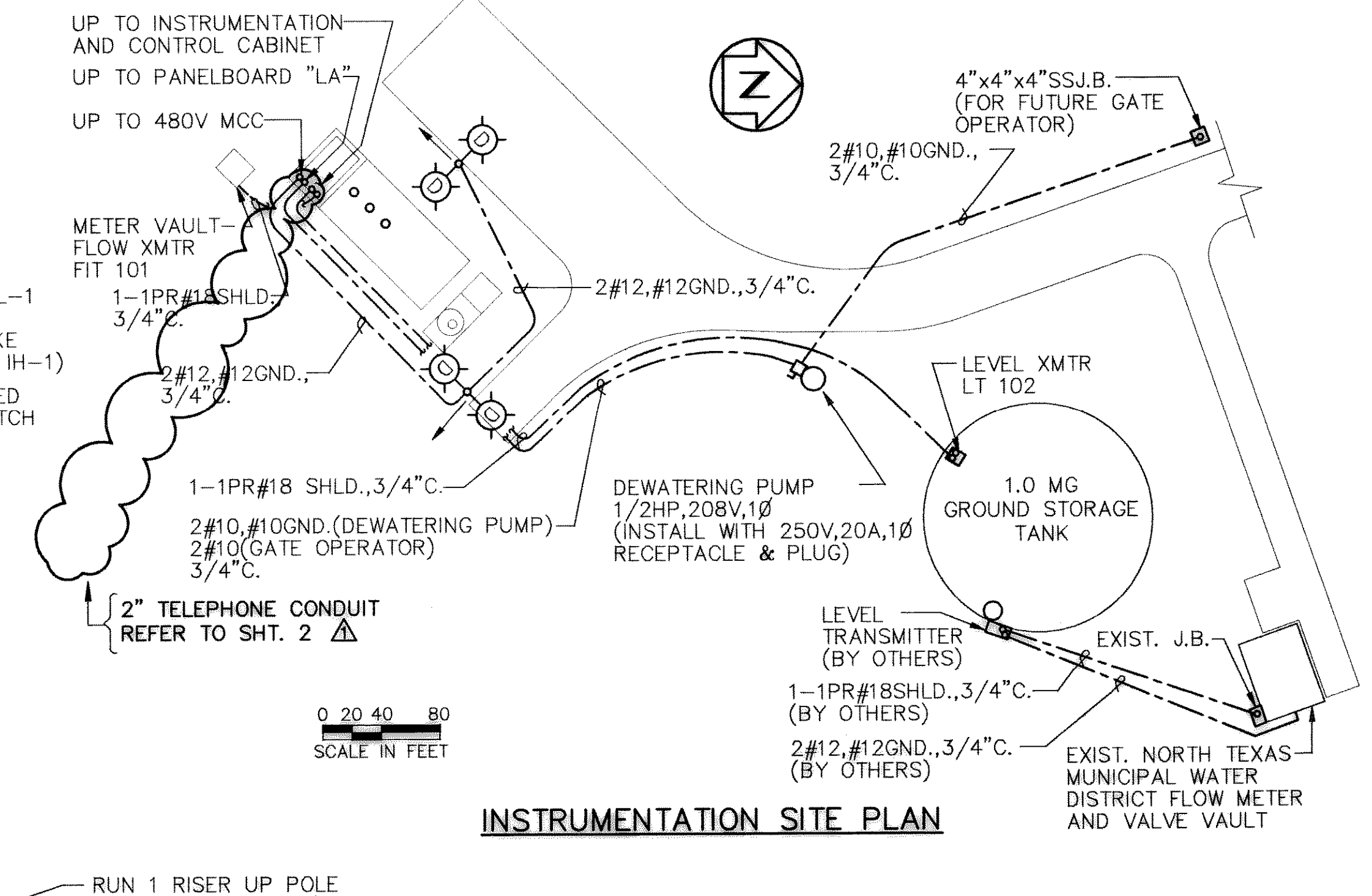
PIPE GALLERY POWER AND LIGHTING PLAN
SCALE IN FEET



PUMP POWER PLAN
SCALE IN FEET

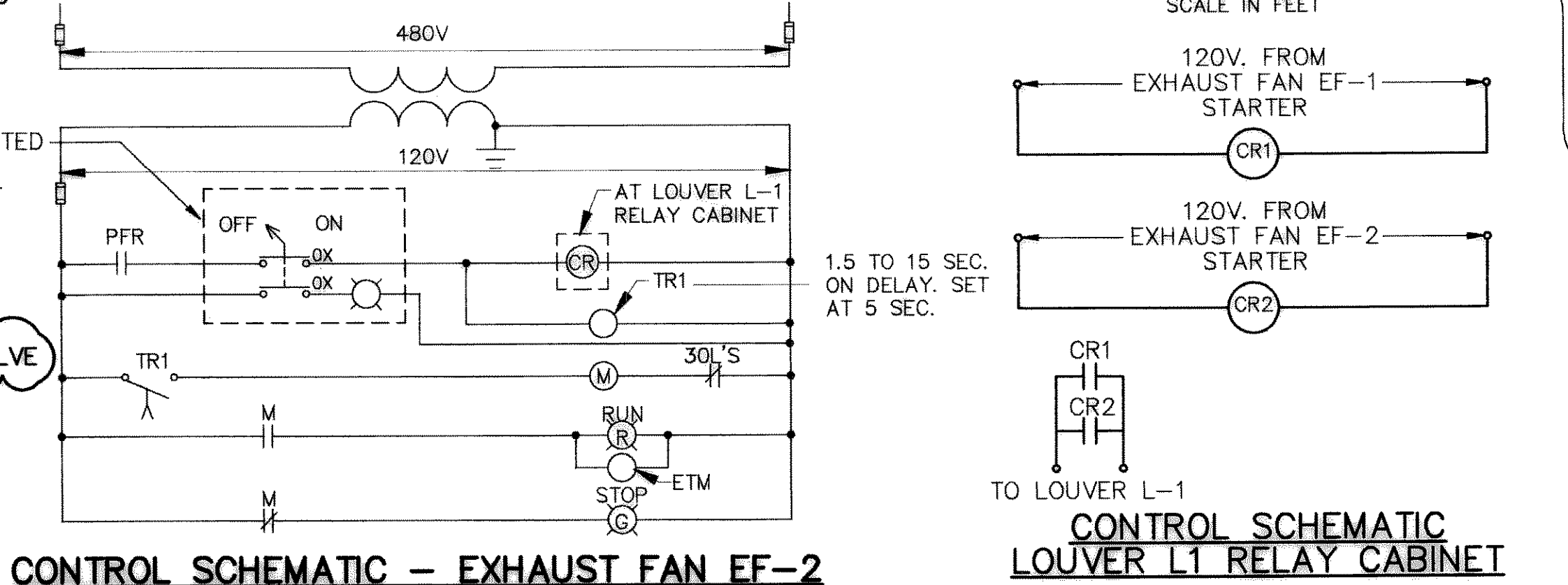


PIPE GALLERY PIT LIGHTING PLAN
SCALE IN FEET

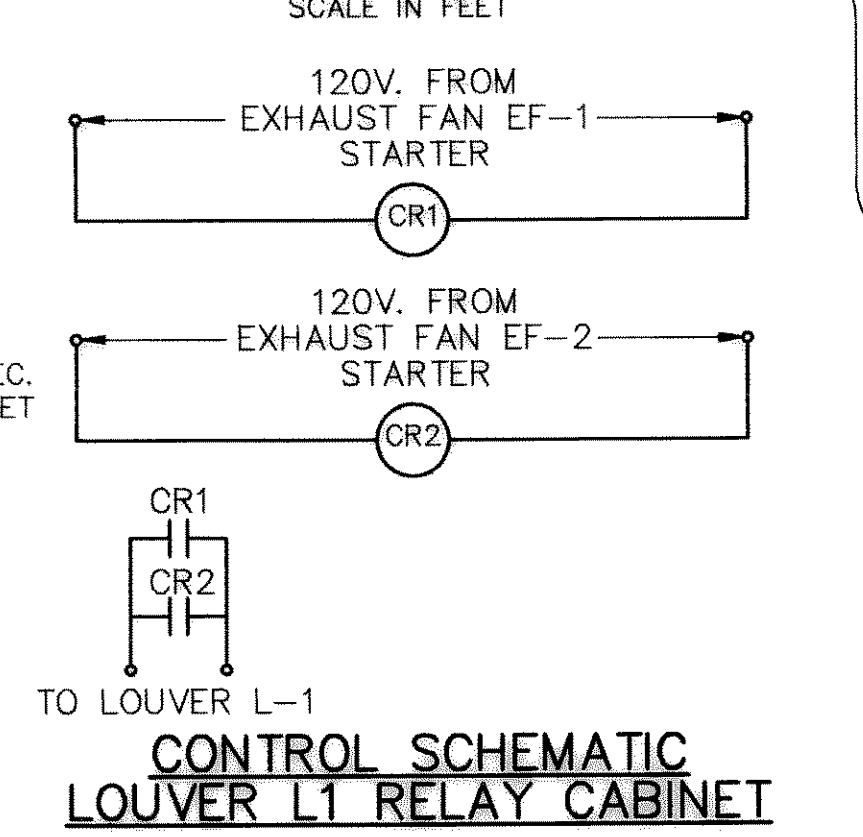


INSTRUMENTATION SITE PLAN
SCALE IN FEET

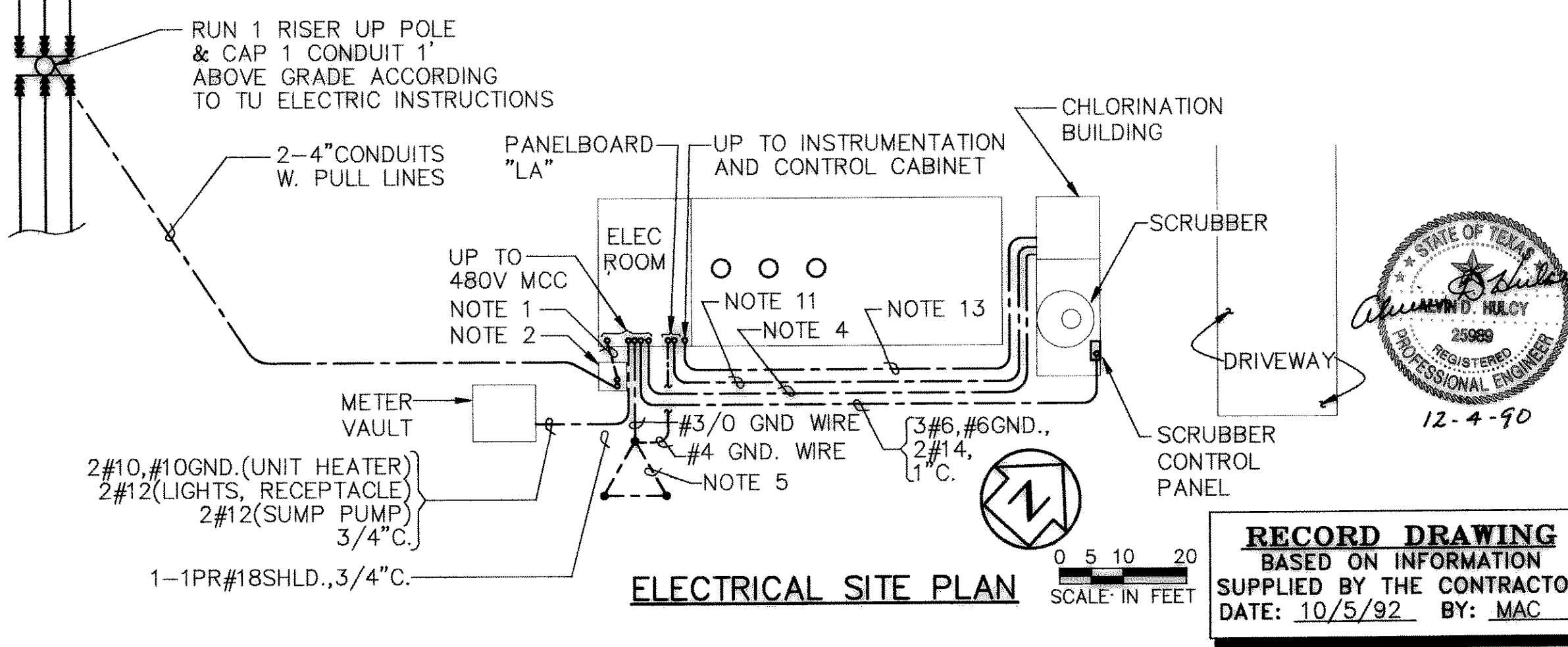
- NOTES**
- 3 SETS(3-400MCM,#2/0GND.,3" C.)
 - PAD TRANSFORMER FURNISHED BY TEXAS UTILITIES. POUR CONCRETE PAD PER TEXAS UTILITIES INSTRUCTION. DOORS FACE THE SCRUBBER.
 - MOUNT AT TOP OF STAIRS
 - #10,#10GND.,#8#14,3/4" C.
 - GND. MAT. SEE DTL. B THIS SHEET
 - 1-3/C 350MCM W. GND.TC(PUMP POWER)
1-5/C #14TC(SPACE HTR, MOTOR THERMAL SW.)
 - 3#6,#6GND.,1" C.
 - 3#10,#10GND.,3/4" C.
 - 3#12,#12GND.,3/4" C.
 - 2#12,#12GND.,3/4" C.
 - 6#12,#12GND.,3/4" C.
 - 2#14,#14GND.,3/4" C.
 - 1-1PR#18SHLD.,3/4" C.
 14. MOUNT AT EL.433.5
 15. MOUNT ALL TYPE "C" FIXTURES AT EL.524.0
 16. UP TO CHLORINE LEAK WARNING LIGHT AND AUDIBLE HORN
 17. SEE ELEV., SHT. 39
 18. MOUNT 7" ABOVE GRADE
 19. CONNECT A #2 GND. WIRE FROM CABLE TRAY TO MCC GND. BUS.
- REFER TO SHT. 39A FOR REVISION TO LIGHT FIXTURE LAYOUT AND UH-3 RELOCATION
- ALL OF THIS WIRING IS IN CABLE TRAY, SEE DETAIL A THIS SHT.



CONTROL SCHEMATIC - EXHAUST FAN EF-2



CONTROL SCHEMATIC LOUVER L1 RELAY CABINET



ELECTRICAL SITE PLAN
SCALE IN FEET



RECORD DRAWING
BASED ON INFORMATION SUPPLIED BY THE CONTRACTOR
DATE: 10/5/92 BY: MAC

ACAD Rel 12 User: Hugo Trevino
N:\RESTORE\EET\ROKDWG35.DWG
DEC 29, 1992 8:48:58 A.M.
ACAD/BJRD
ROK90231\ROKDWG35.DWG

DATE	REVISION	BY	CHECKED
12/17/92	ADDED BY CHANGE ORDER # 3	MAC	DESIGNED
12/17/92	CHANGE BY FIELD ORDER # 9	MAC	DRAWN
12/17/92	CHANGE BY FIELD ORDER # 10	MAC	TRACED
			CHECKED

JOB NO.	ROK 89005
DATE	AS SHOWN
SCALE	AS SHOWN

FREESE AND NICHOLS, INC.
CONSULTING ENGINEERS
FORT WORTH-ARLINGTON-AUSTIN, TEXAS

CITY OF ROCKWALL, TEXAS
EASTSIDE PUMP STATION

ELECTRICAL
ONE LINE DIAGRAM AND MOTOR CONTROL CENTER ELEVATION

SHEET
35 OF 39