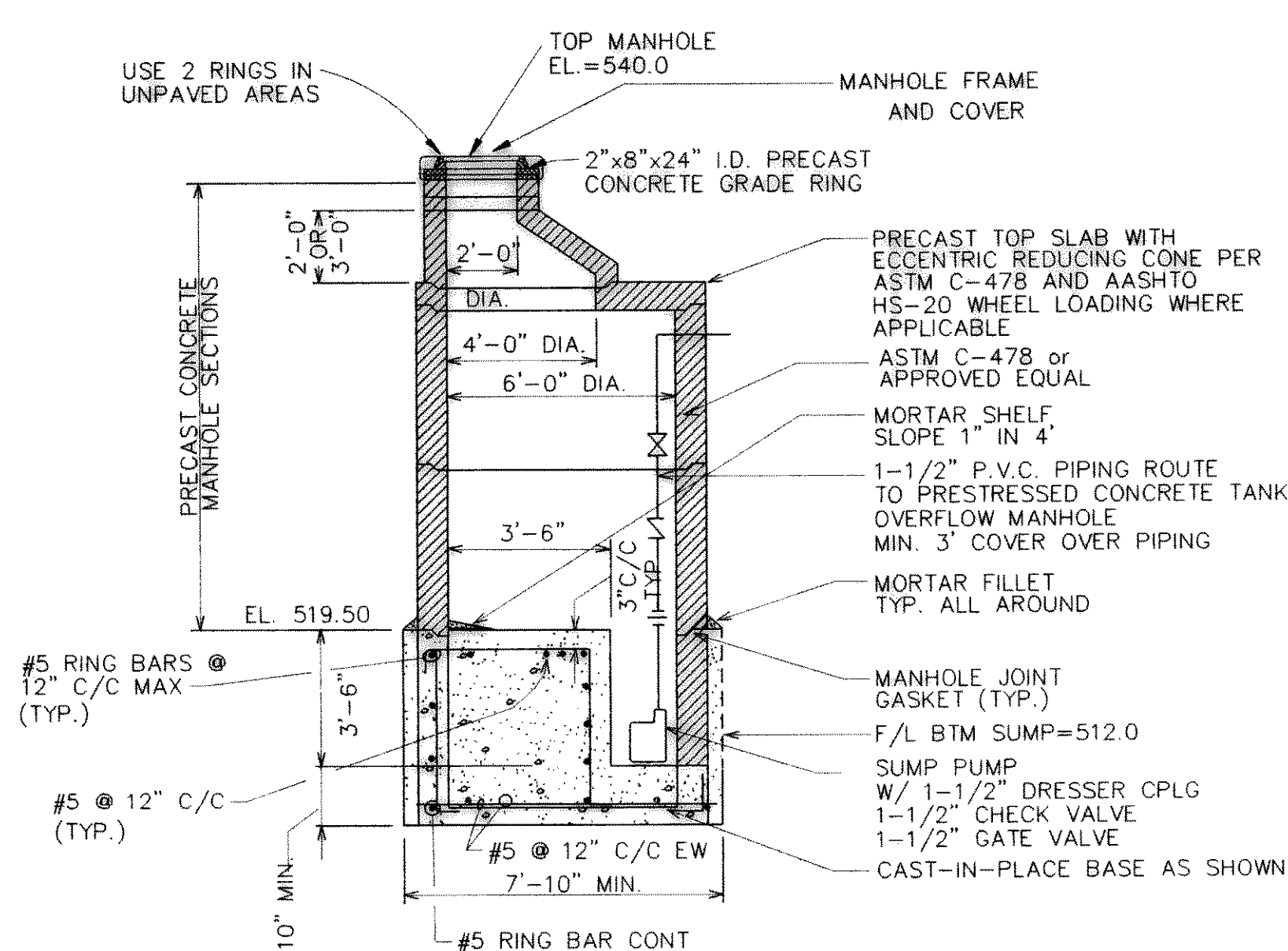


**GROUND STORAGE TANK
OVERFLOW MANHOLE**

NOT TO SCALE



**GROUND WATER COLLECTION
SYSTEM MANHOLE ELEVATION**

NOT TO SCALE

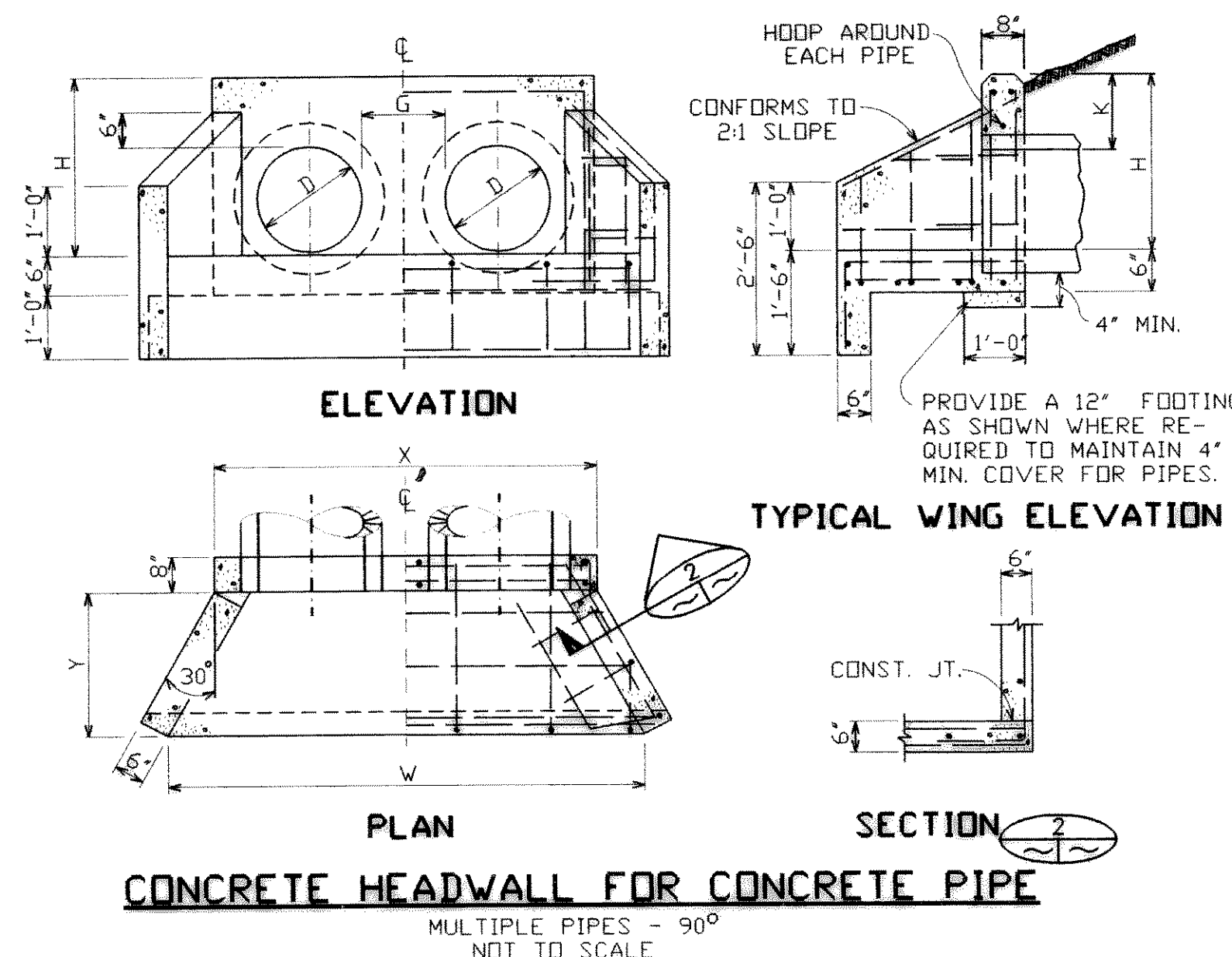
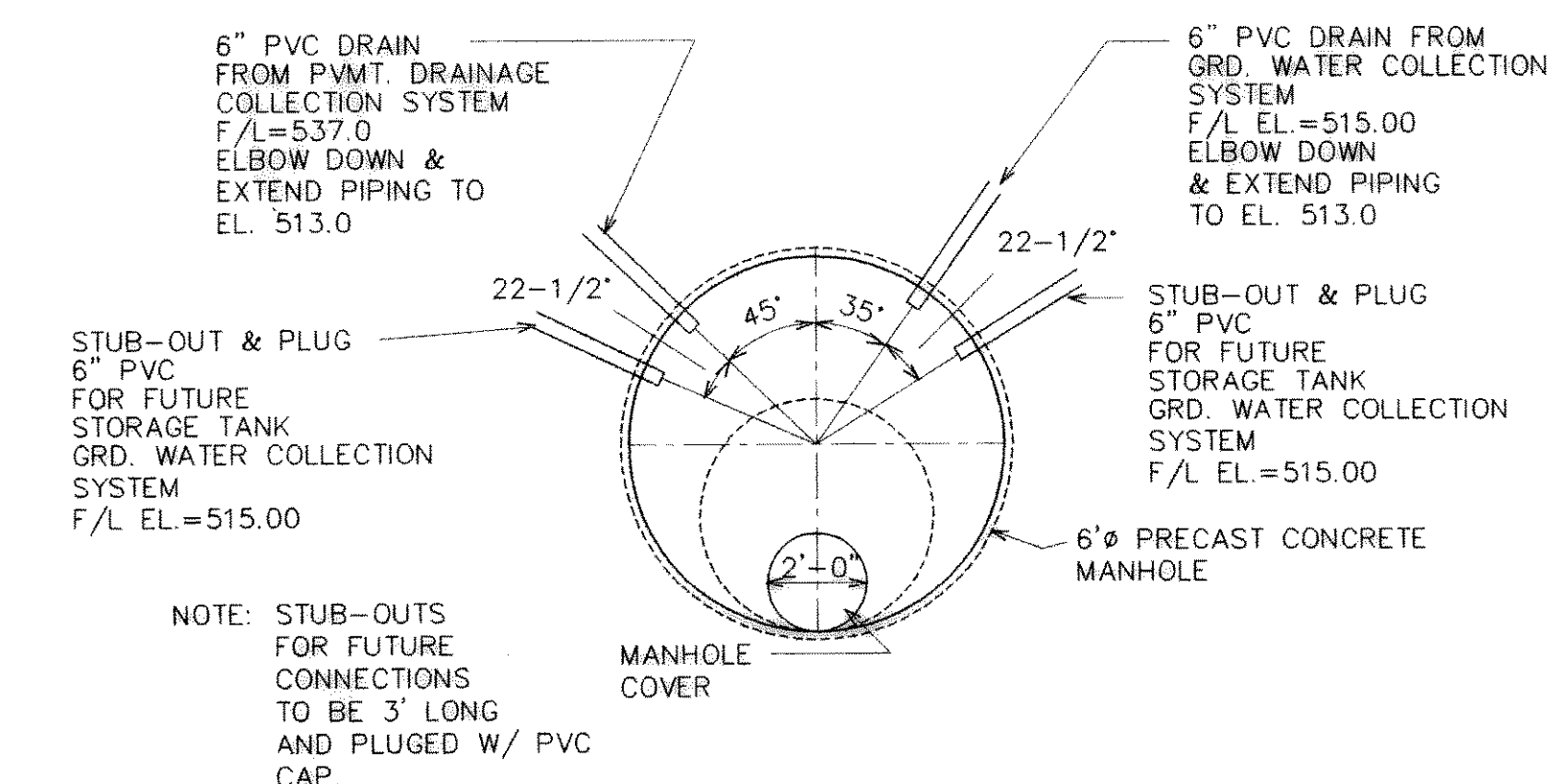


TABLE OF DIMENSIONS TYPE "A" AND "B"									
NO. OF PIPES	DIAM. OF PIPES	DIMENSIONS							BAR SIZE
		D	G	K	X	H	Y	W	
1	12"	12"	12"	2'-4"	2'-0"	1'-0"	2'-4"	#3	
2	12"	10"	"	4'-2"	"	"	4'-2"	"	
3	12"	"	"	6'-0"	"	"	6'-0"	"	
4	12"	"	"	7'-10"	"	"	7'-10"	"	
1	15"	12"	12"	2'-7 1/2"	2'-3"	1'-6"	3'-2 1/2"	#3	
2	15"	1'-0"	"	4'-10 1/2"	"	"	5'-5 1/2"	"	
3	15"	"	"	7'-1 1/2"	"	"	7'-8 1/2"	"	
4	15"	"	"	9'-4 1/2"	"	"	9'-1 1/2"	"	
1	18"	12"	12"	2'-1 1/2"	2'-6"	2'-0"	4'-0 7/8"	#3	
2	18"	1'-2"	"	5'-7"	"	"	6'-8 7/8"	"	
3	18"	"	"	8'-3"	"	"	9'-4 7/8"	"	
4	18"	"	"	10'-1 1/2"	"	"	12'-0 7/8"	"	
1	24"	12"	12"	3'-6"	3'-0"	3'-0"	5'-9 3/4"	#3	
2	24"	1'-5"	"	6'-1 1/2"	"	"	9'-2 3/4"	"	
3	24"	"	"	10'-4"	"	"	12'-7 3/4"	"	
4	24"	"	"	13'-9"	"	"	16'-0 3/4"	"	
1	30"	12"	12"	4'-1"	3'-6"	4'-0"	7'-6 5/8"	#3	
2	30"	1'-8"	"	8'-3"	"	"	11'-8 5/8"	"	
3	30"	"	"	12'-5"	"	"	15'-10 5/8"	"	
4	30"	"	"	16'-7"	"	"	20'-0 5/8"	"	
1	36"	12"	12"	4'-8"	4'-0"	5'-0"	9'-3 1/2"	#4	
2	36"	1'-11"	"	9'-7"	"	"	14'-2 1/2"	"	
3	36"	"	"	14'-6"	"	"	19'-1 1/2"	"	
4	36"	"	"	19'-5"	"	"	24'-0 1/2"	"	

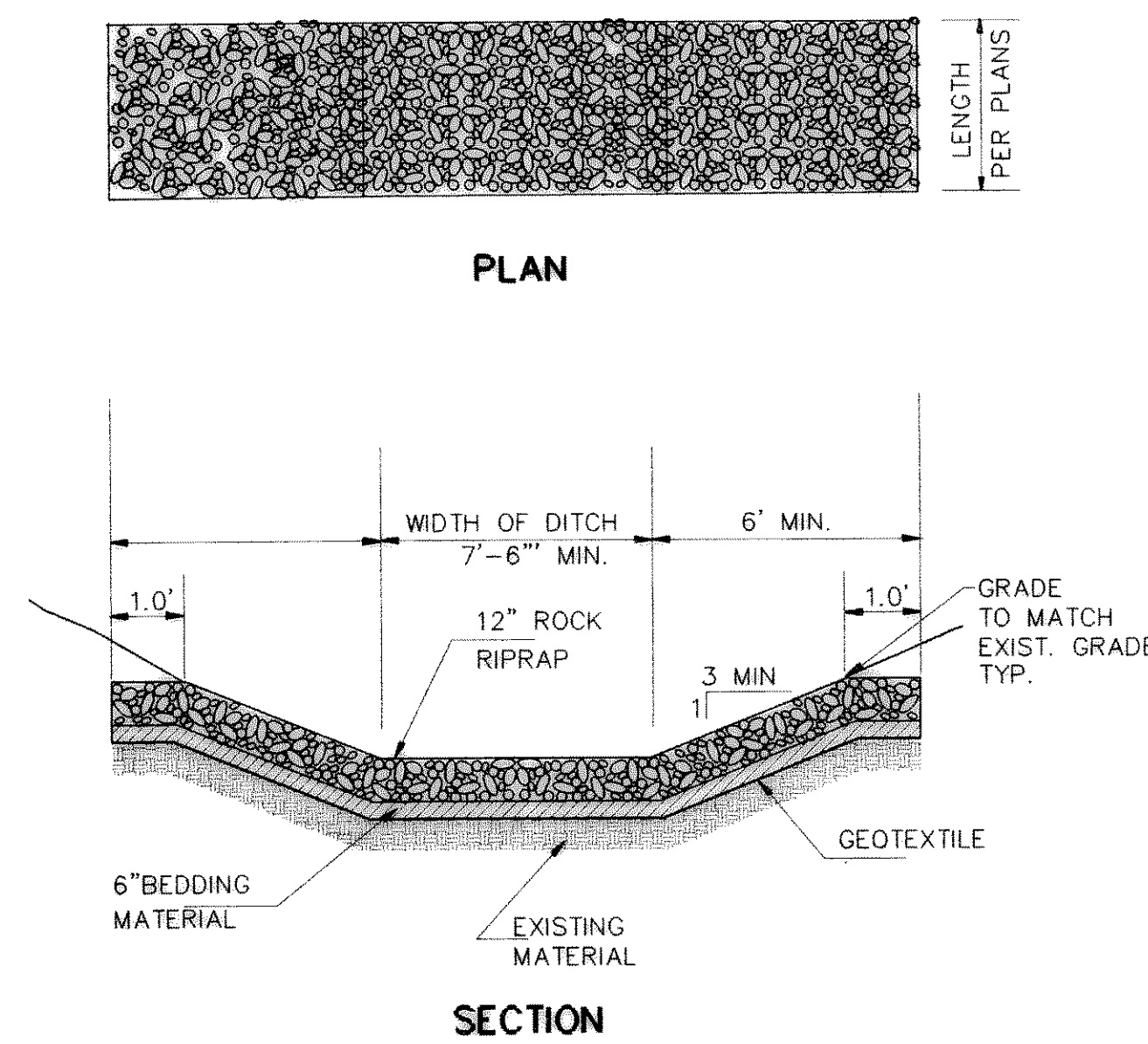
CONCRETE HEADWALL

FOR CONCRETE PIPE-90°- SINGLE AND MULTIPLE PIPES
* - REINFORCING BARS @ 12" O.C.E.W.



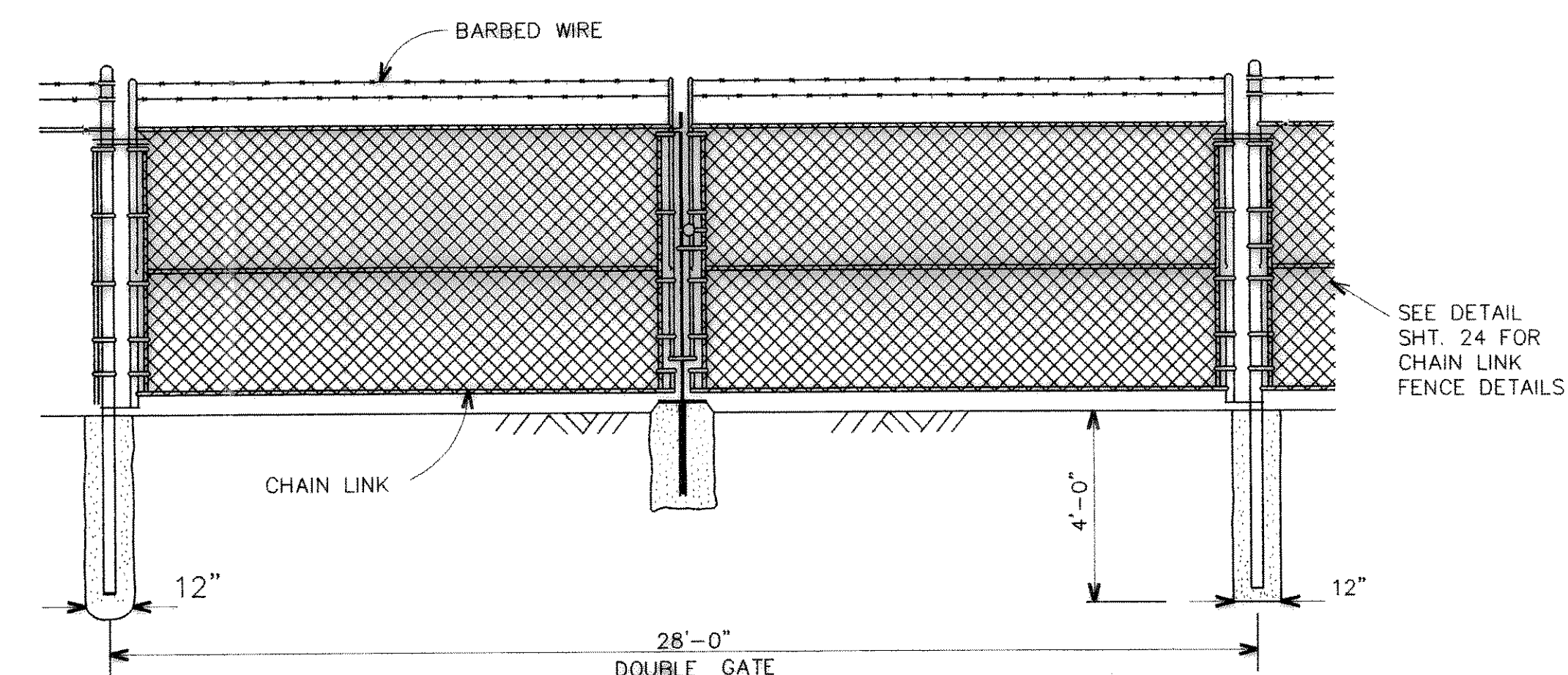
**GROUND WATER COLLECTION
SYSTEM MANHOLE PLAN**

NOT TO SCALE



CONCRETE HEADWALL FOR CONCRETE PIPE

SINGLE PIPE - 90°
NOT TO SCALE



**CHAIN LINK
SWING GATE DETAILS**

NOT TO SCALE

**ROCK RIPRAP
DETAIL**

NOT TO SCALE

RIPRAP GRADATION		BEDDING GRADATION	
SIEVE SIZE SQUARE MESH	PERCENT PASSING	SIEVE SIZE SQUARE MESH	PERCENT PASSING
12 INCH	100	3 INCH	100
8 INCH	70-100	1-1/2 INCH	55-100
6 INCH	45-75	3/4 INCH	25-60
3 INCH	30-55	3/8 INCH	5-30
1-1/2 INCH	10-30	No. 4	0-10
	0-10		

RECORD DRAWING
BASED ON INFORMATION
SUPPLIED BY THE CONTRACTOR
DATE: 10/2/92 BY: LDS



THE SEAL APPEARING ON THIS DOCUMENT WAS AUTHORIZED BY LARRY D. SCHUELEIN, TEXAS P.E. No. 42247 ON NOV. 19, 1990

ACAD, Rev. 12
ROKDWG25.DWG
OCT 2, 1992

ACAD, Rev. 12
ROKDWG25.DWG
OCT 2, 1992