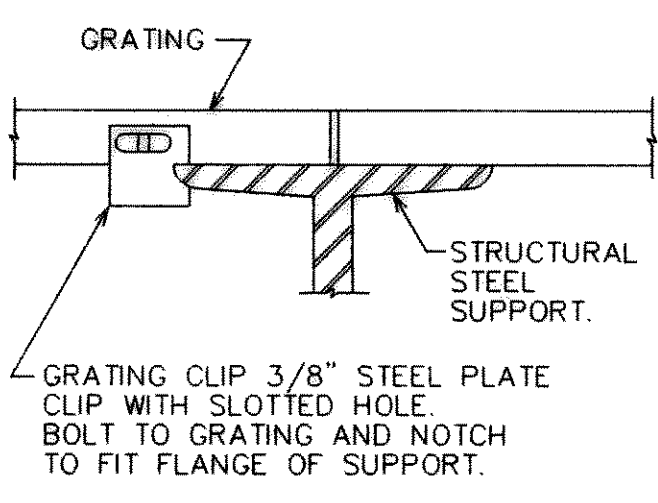
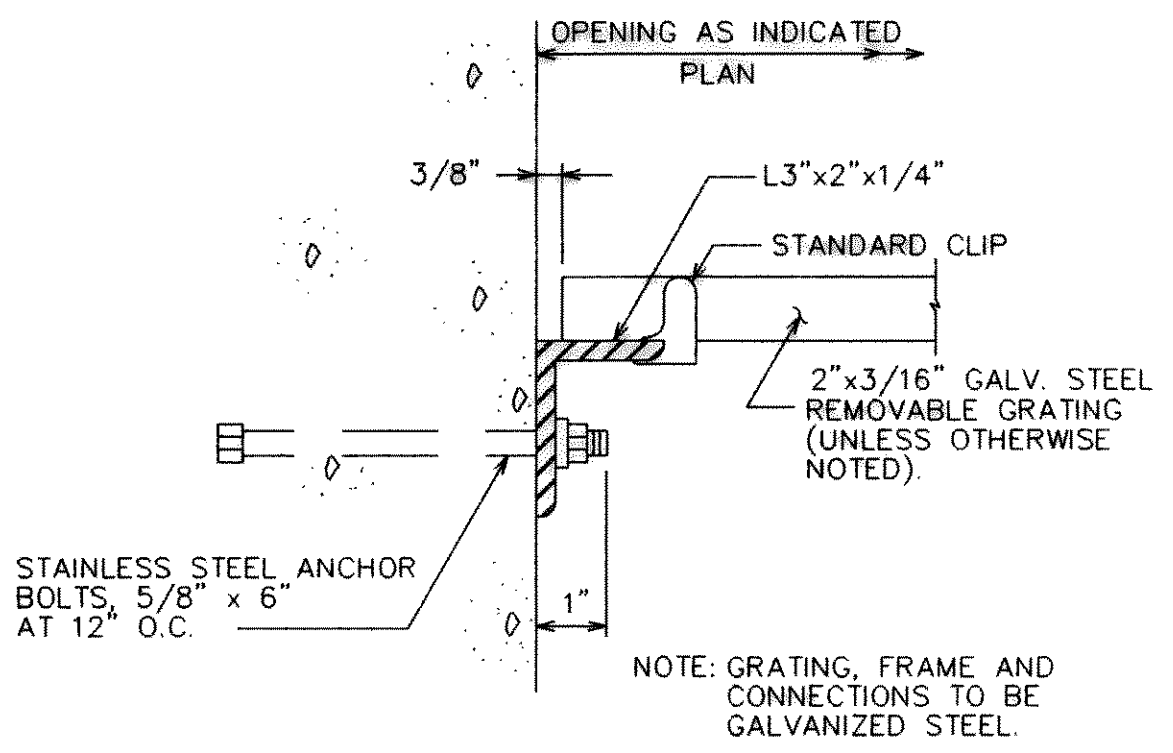


DETAIL A
NOT TO SCALE

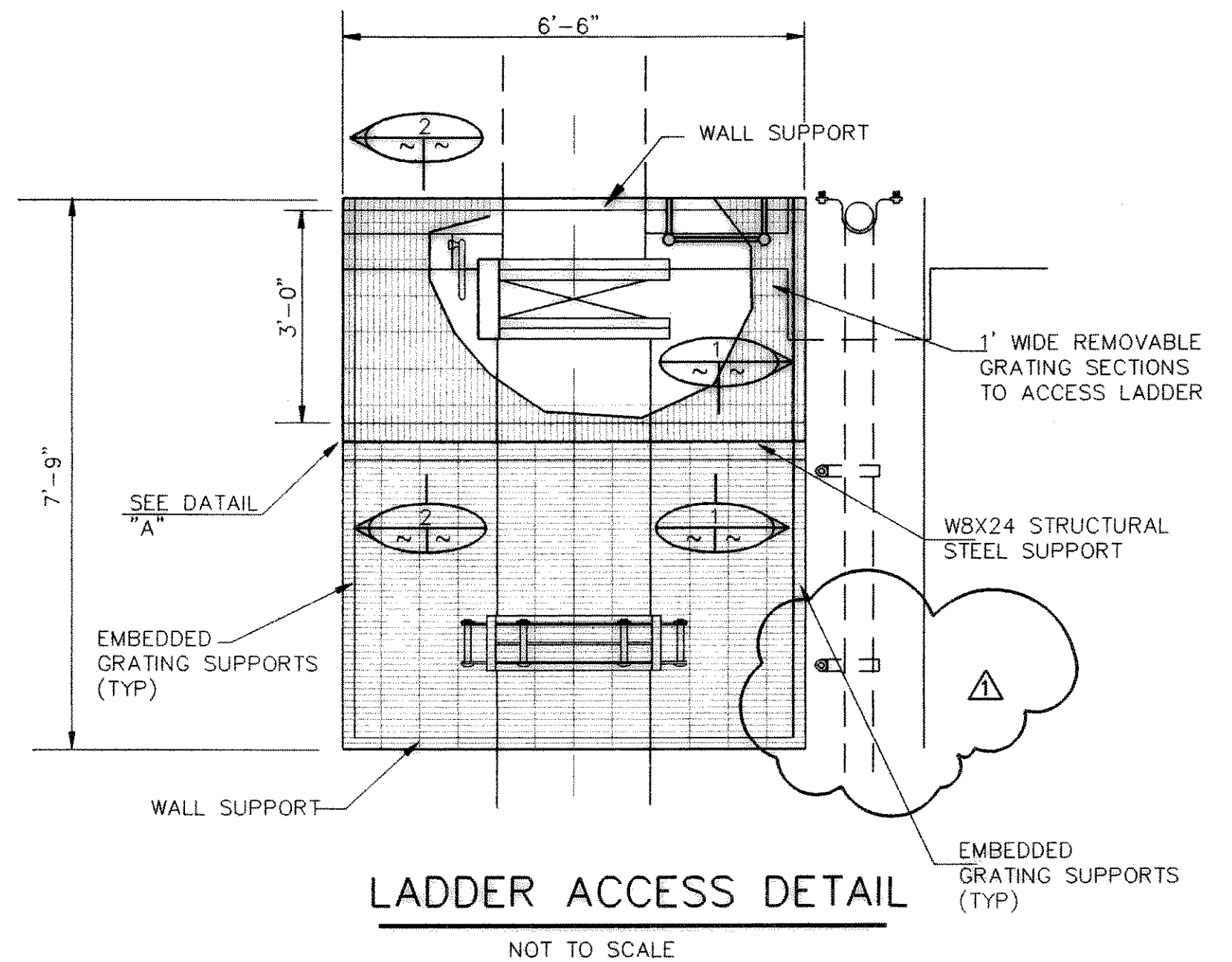
- NOTES:
1. GRATING SHALL CONFORM TO THE METAL BAR GRATING MANUAL OF NAAMM. UNLESS OTHERWISE SPECIFIED, GRATING SHALL BE GALV. STEEL.
 2. WHERE BOLTED GRATING IS SPECIFIED, PROVIDE 4. GRATING CLIPS APPROX. 4" FROM THE CORNERS OF EACH PIECE. ADJACENT PIECES MAY BE ANCHORED WITH ONE CLIP AND TWO STUDS (SEE SECTION B).
 3. GRATING SHALL BE REMOVABLE.
 4. CLEAR SPAN SHALL BE PLAN DIMENSION, FACE TO FACE OF OPENING.
 5. WELD END BANDING PER MANUFACTURER'S RECOMMENDATIONS.



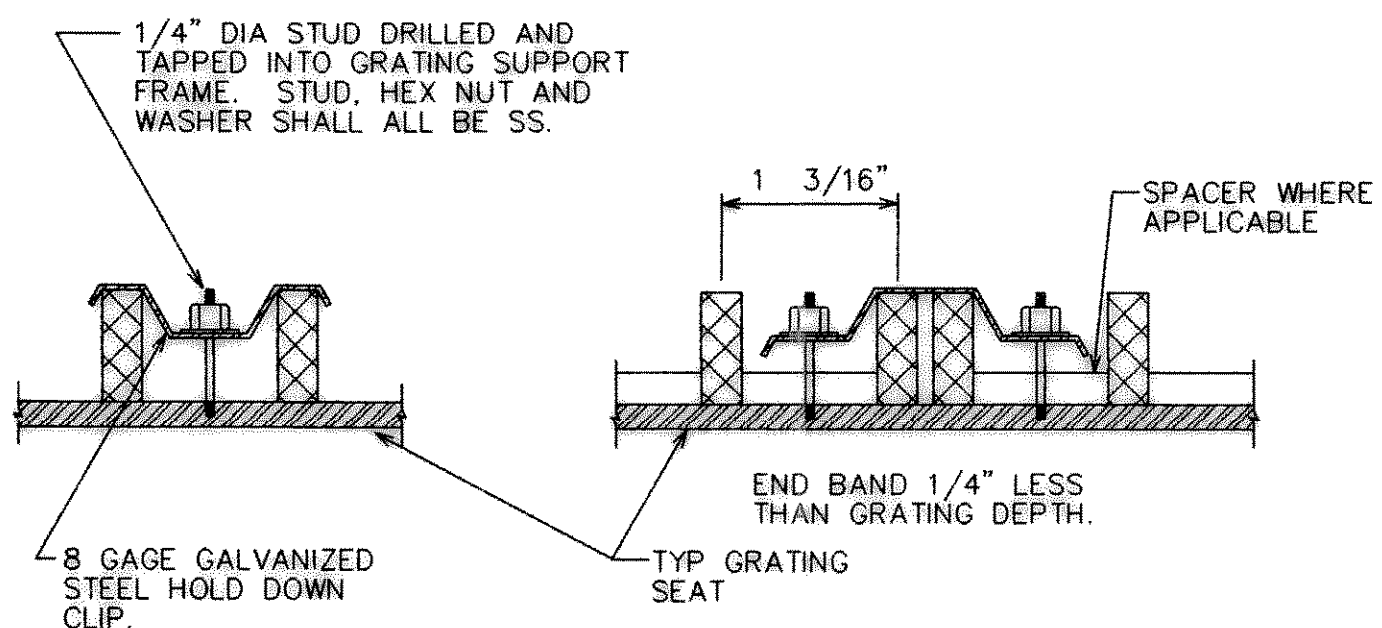
DETAIL B
NOT TO SCALE



WALL SUPPORT
NOT TO SCALE

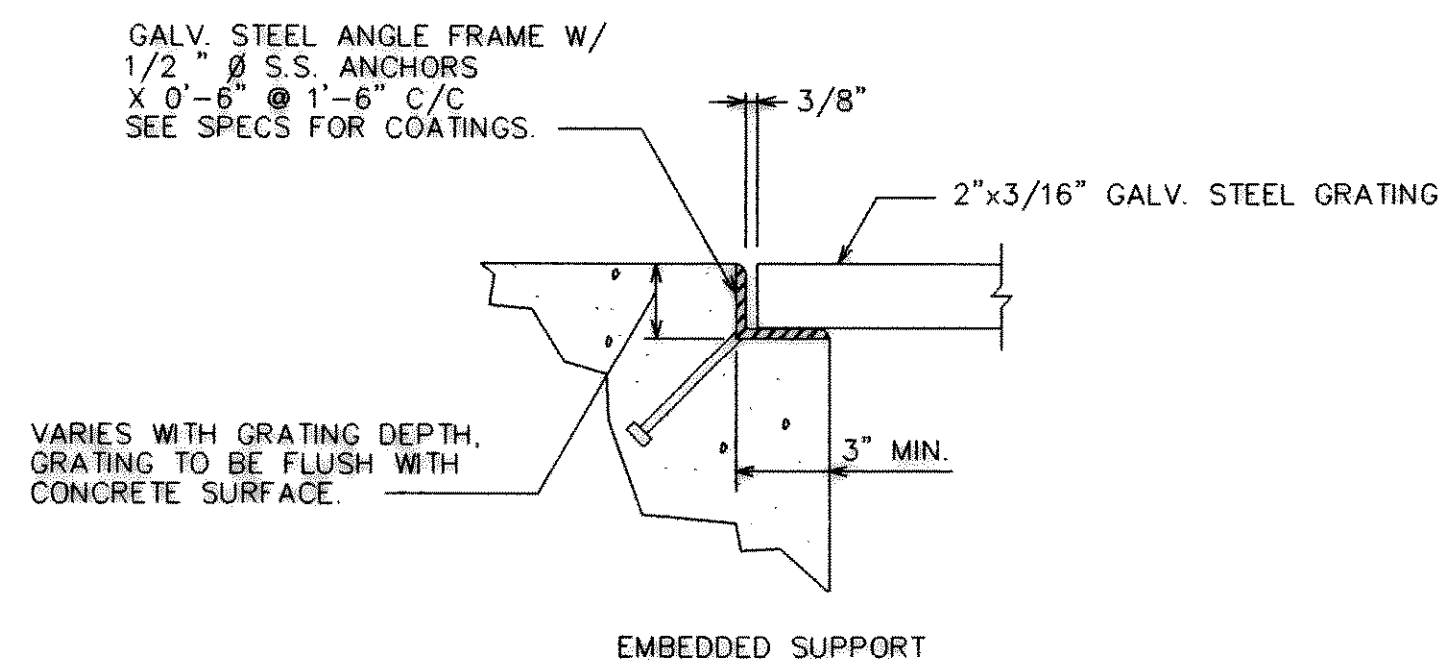


LADDER ACCESS DETAIL
NOT TO SCALE

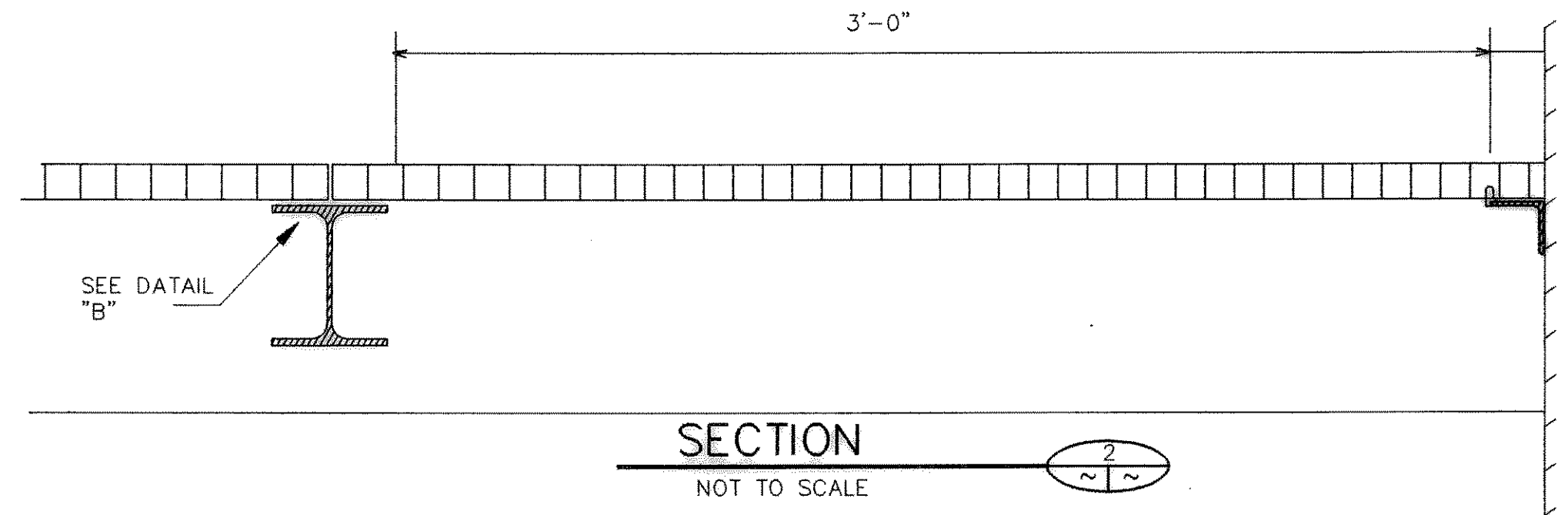


SECTION A
NOT TO SCALE

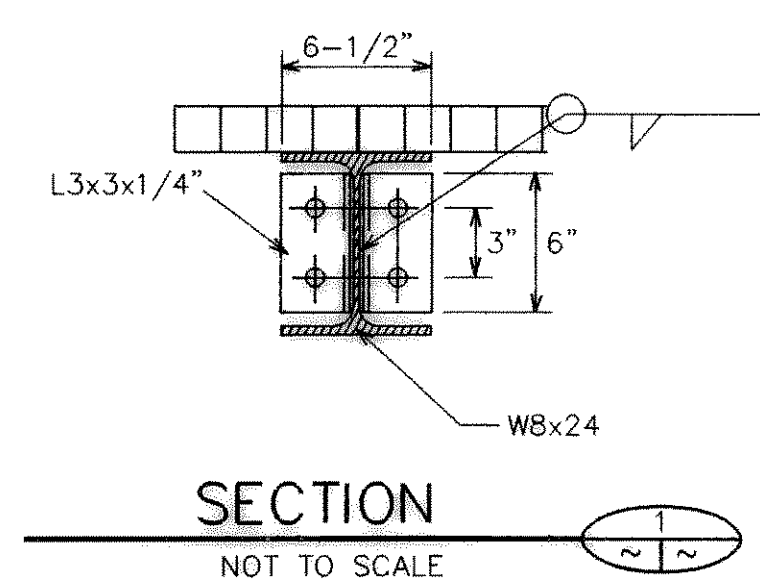
SECTION B
NOT TO SCALE



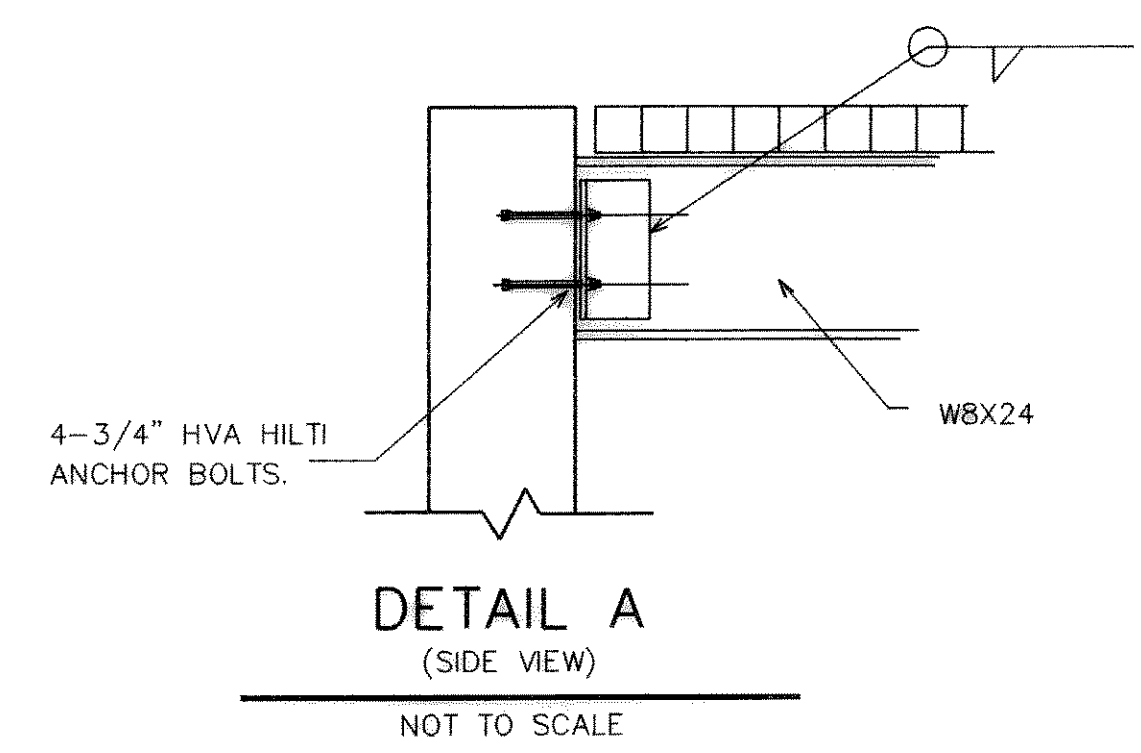
EMBEDDED SUPPORT
GRATING SUPPORTS
NOT TO SCALE



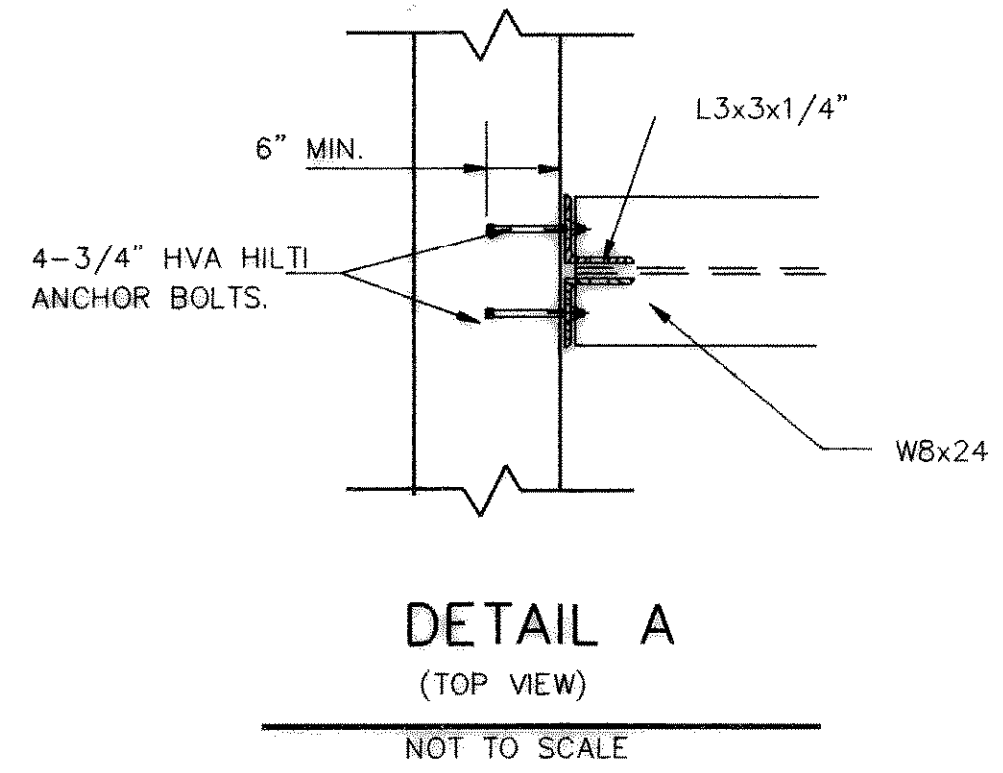
SECTION
NOT TO SCALE



SECTION
NOT TO SCALE

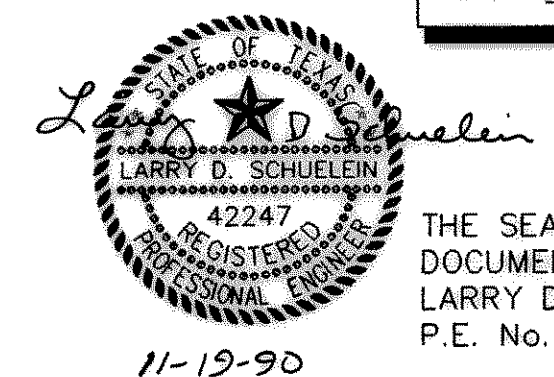


DETAIL A (SIDE VIEW)
NOT TO SCALE



DETAIL A (TOP VIEW)
NOT TO SCALE

RECORD DRAWING
BASED ON INFORMATION SUPPLIED BY THE CONTRACTOR
DATE: 10/2/92 BY: LDS



THE SEAL APPEARING ON THIS DOCUMENT WAS AUTHORIZED BY LARRY D. SCHUELEIN, TEXAS P.E. No. 42247 ON NOV. 19, 1990

ACAD File: 12 User: Hugo Trevino ROKDWG23.DWG OCT 2, 1992 9:39:12 A.M.

DESIGNED: _____	JOB NO. ROK89005	FRESE AND NICHOLS, INC. CONSULTING ENGINEERS FORT WORTH - ARLINGTON - AUSTIN, TEXAS	CITY OF ROCKWALL, TEXAS EASTSIDE PUMP STATION	STRUCTURAL GRATING DETAILS	SHEET 23 OF 39
DRAWN: _____	DATE 11/19/90				
TRACED: _____	SCALE AS SHOWN				
CHECKED: _____					