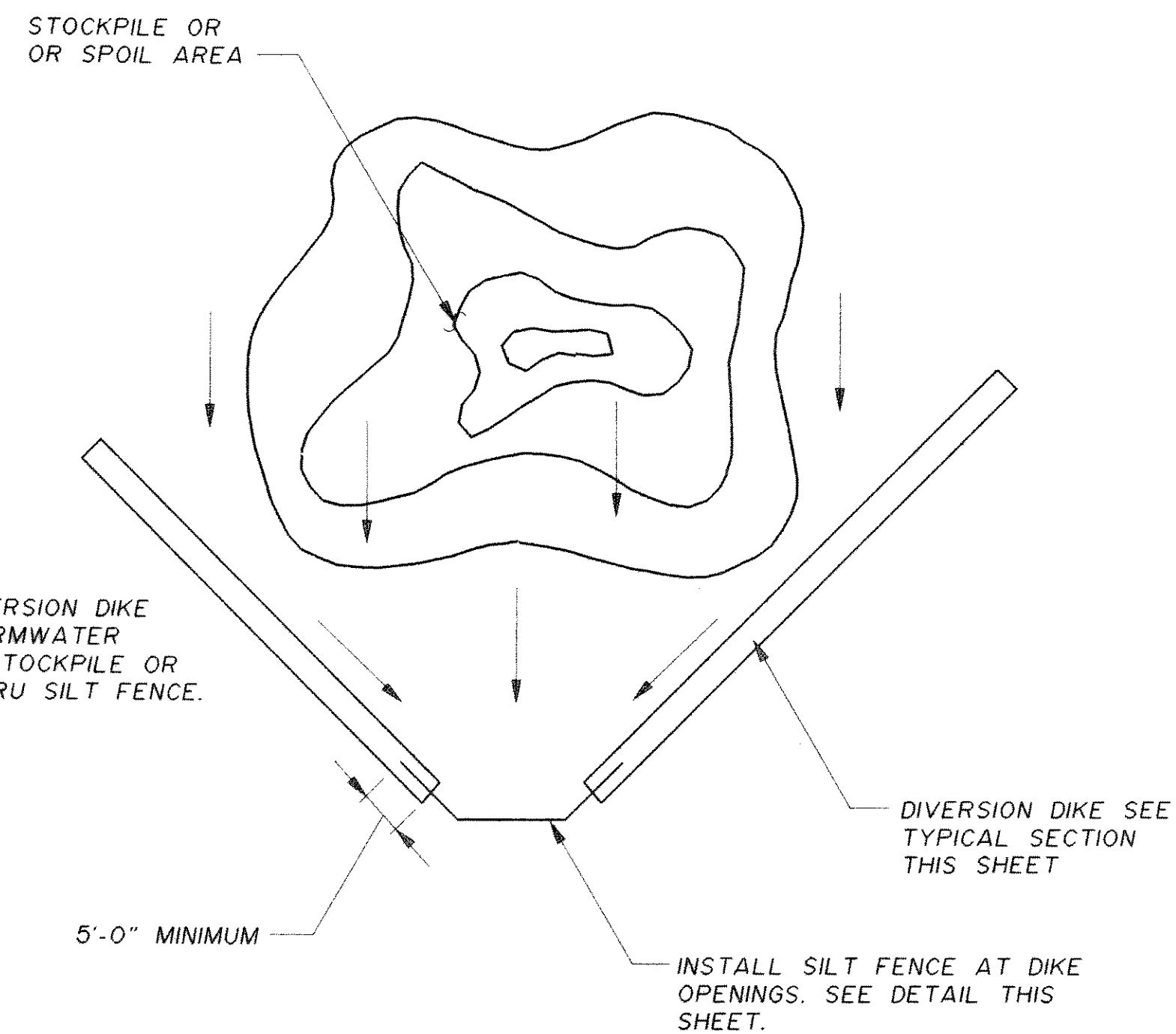
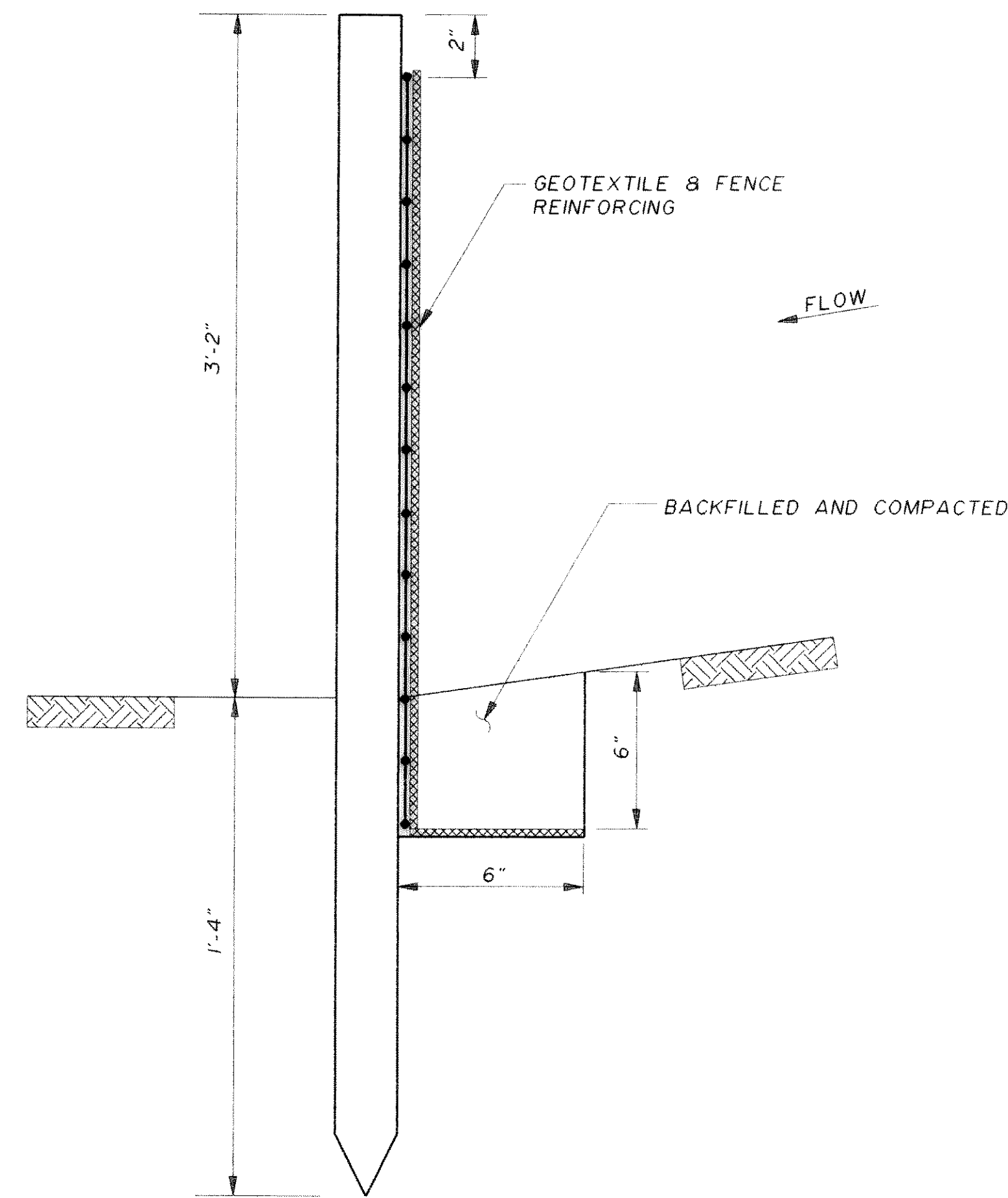


**EROSION CONTROL PLAN
EARTHWORK OPERATIONS**
NOT TO SCALE

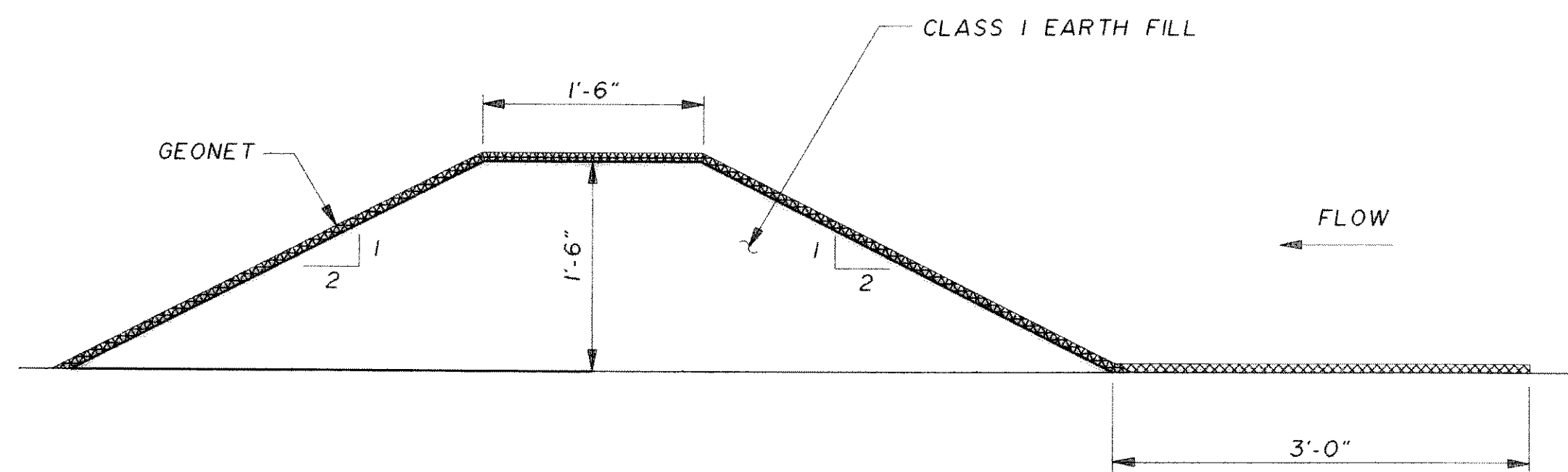


**EROSION CONTROL PLAN
EARTH STOCKPILE OR SPOIL AREAS**
NOT TO SCALE

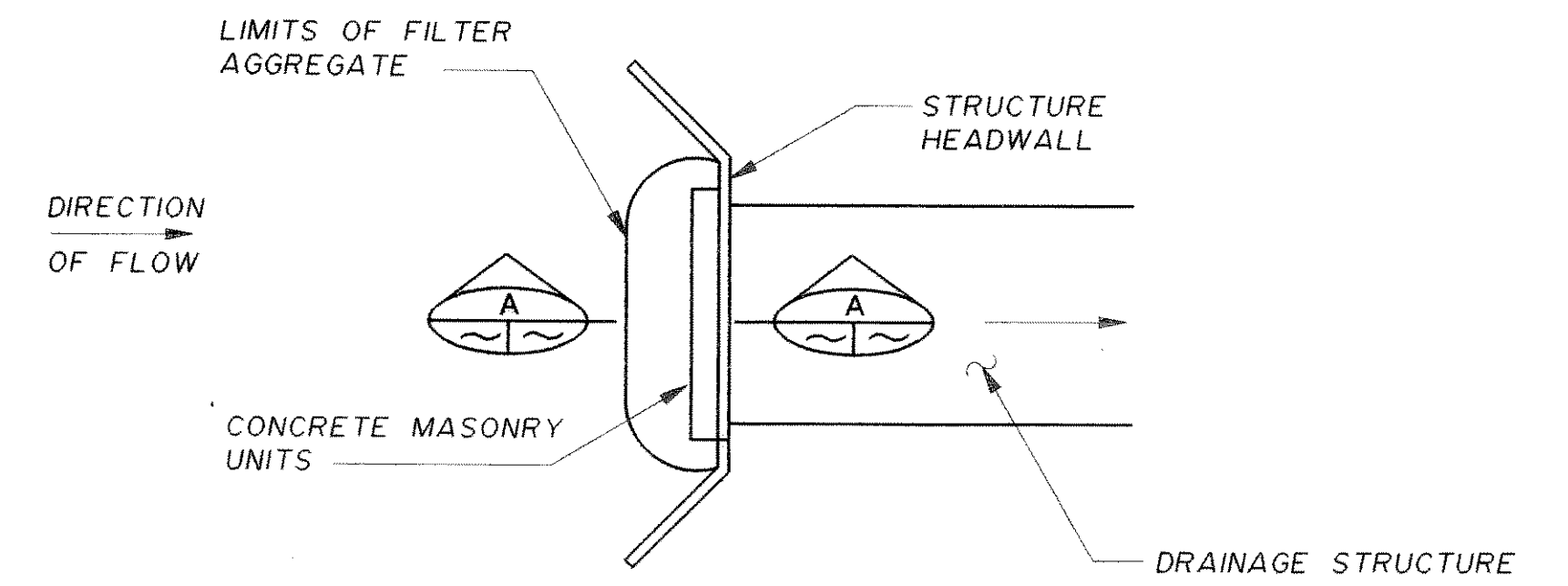
NOTE: REFER TO SECTION 01568 FOR EROSION CONTROL AND SEDIMENT CONTROL SPECIFICATIONS.



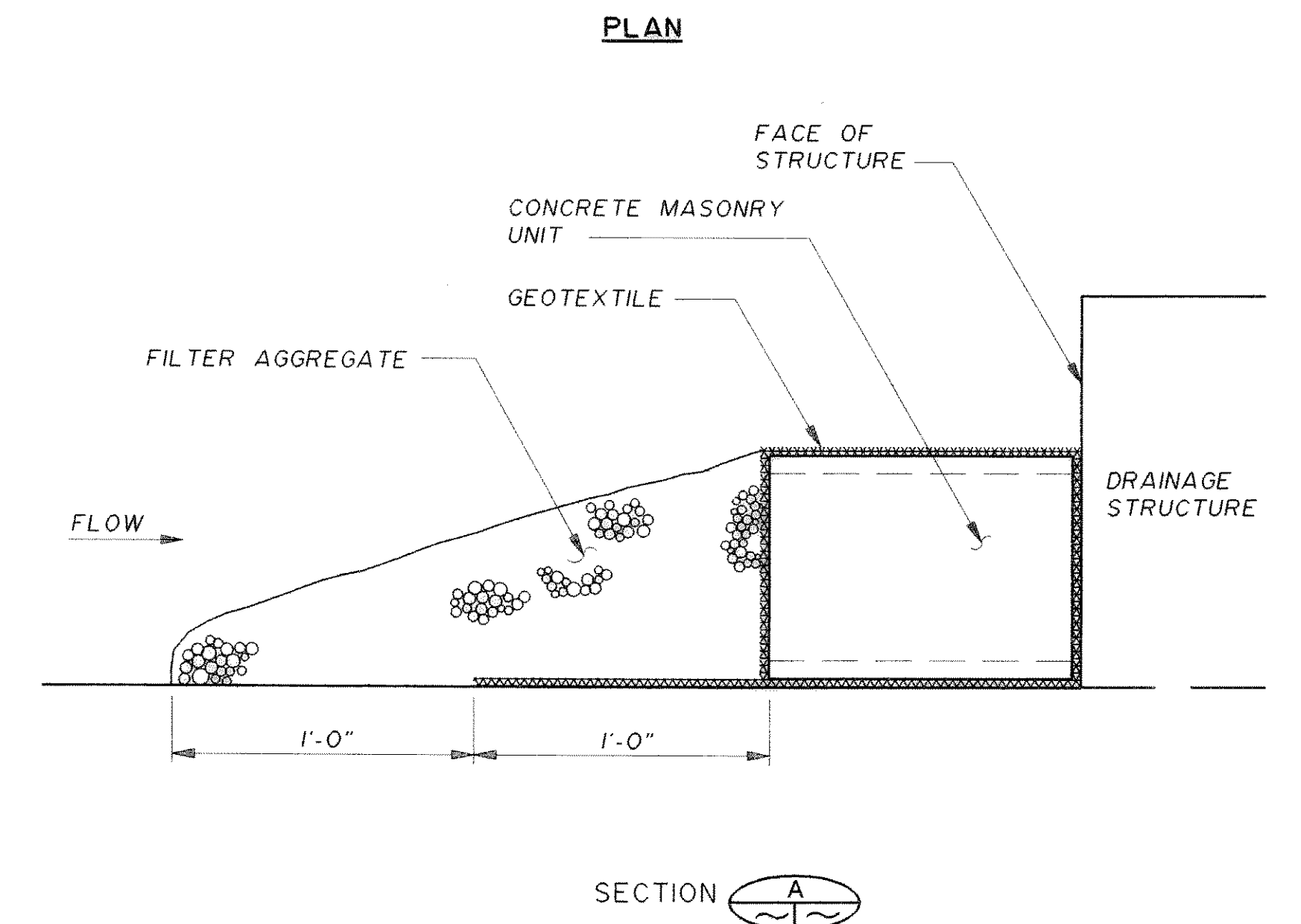
DETAIL - SILT FENCE
NOT TO SCALE



TYPICAL SECTION - DIVERSION DIKE
NOT TO SCALE

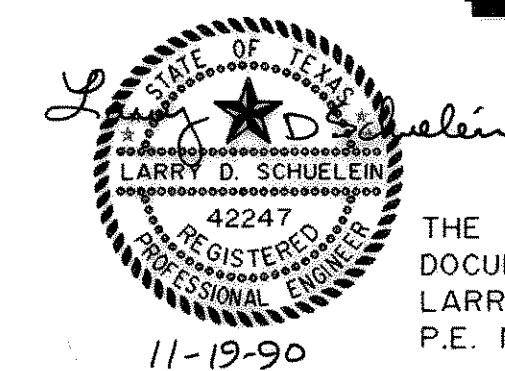


NOTE: DETAIL SIMILAR AT DRAINAGE STRUCTURE WITHOUT HEADWALL



**SILT TRAP AT
DRAINAGE STRUCTURES**
NOT TO SCALE

RECORD DRAWING
BASED ON INFORMATION
SUPPLIED BY THE CONTRACTOR
DATE: 10/2/92 BY: LDS



THE SEAL APPEARING ON THIS DOCUMENT WAS AUTHORIZED BY LARRY D. SCHUELEIN, TEXAS P.E. No. 42247 ON NOV. 19, 1990

DATE	REVISION

DESIGNED: _____	JOB NO. ROK89005
DRAWN: _____	DATE 11/19/90
CHECKED: _____	SCALE AS SHOWN
BY _____	

FREESSE AND NICHOLS, INC.
CONSULTING ENGINEERS
FORT WORTH - ARLINGTON - AUSTIN, TEXAS

CITY OF ROCKWALL, TEXAS
EASTSIDE PUMP STATION

EROSION AND SEDIMENT DETAILS