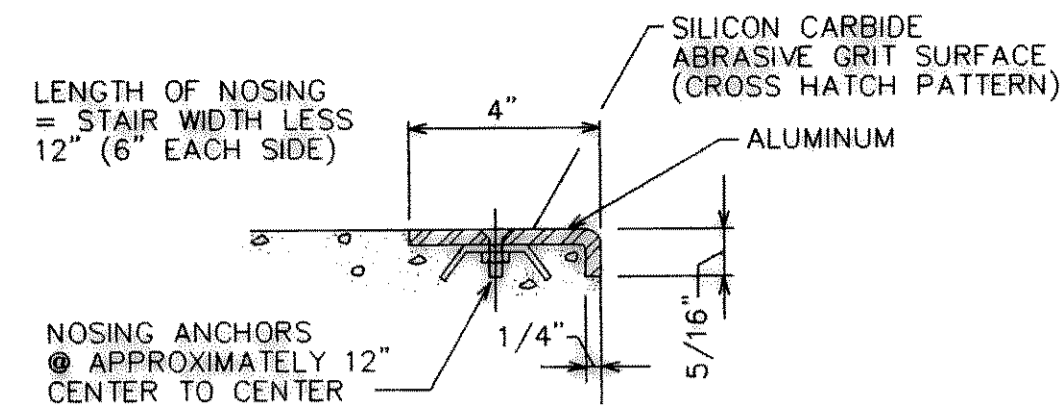
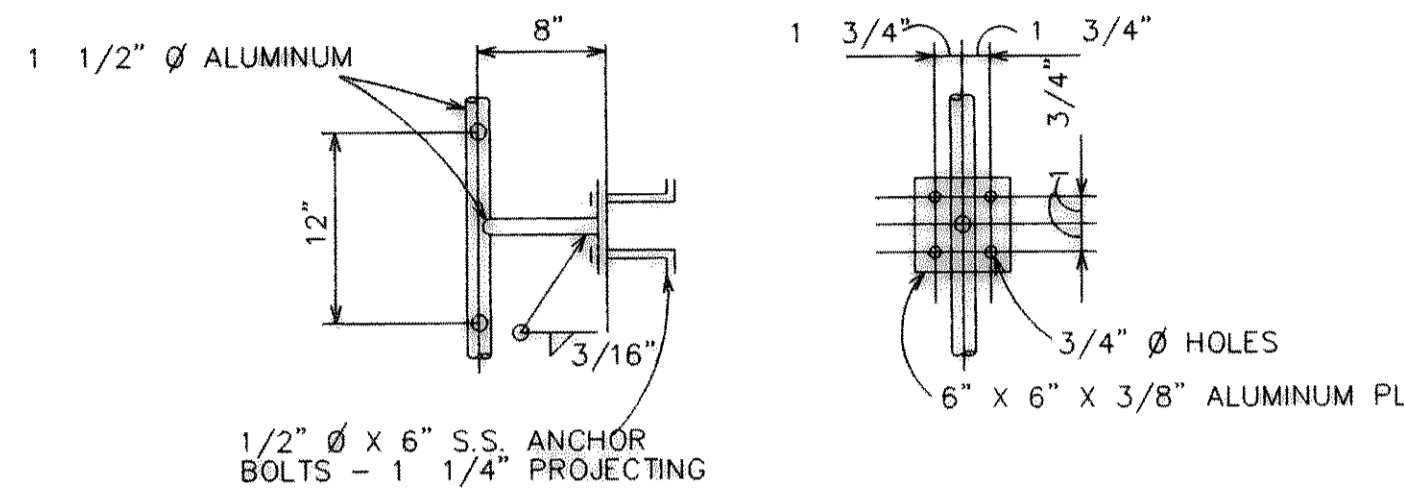


- NOTES:
1. ALL NEW HANDRAIL TO BE ALUMINUM
 2. SEE HANDRAIL EXPANSION JOINT DETAIL
 3. RAILING POST LOCATIONS SHALL BE FIELD MEASURED AND RAILING FABRICATED TO FIT.

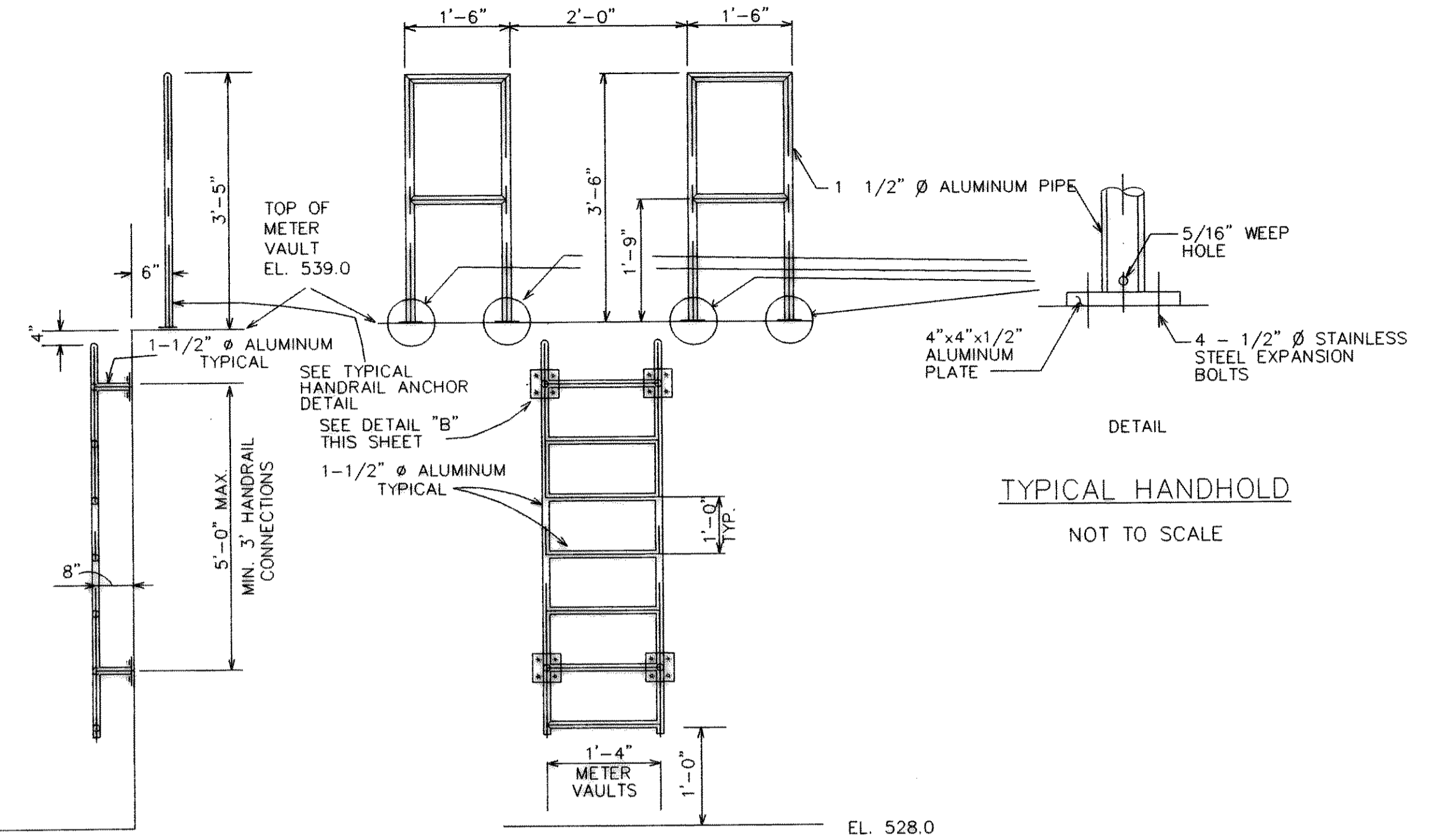
TYPE "A" HANDRAIL
NOT TO SCALE



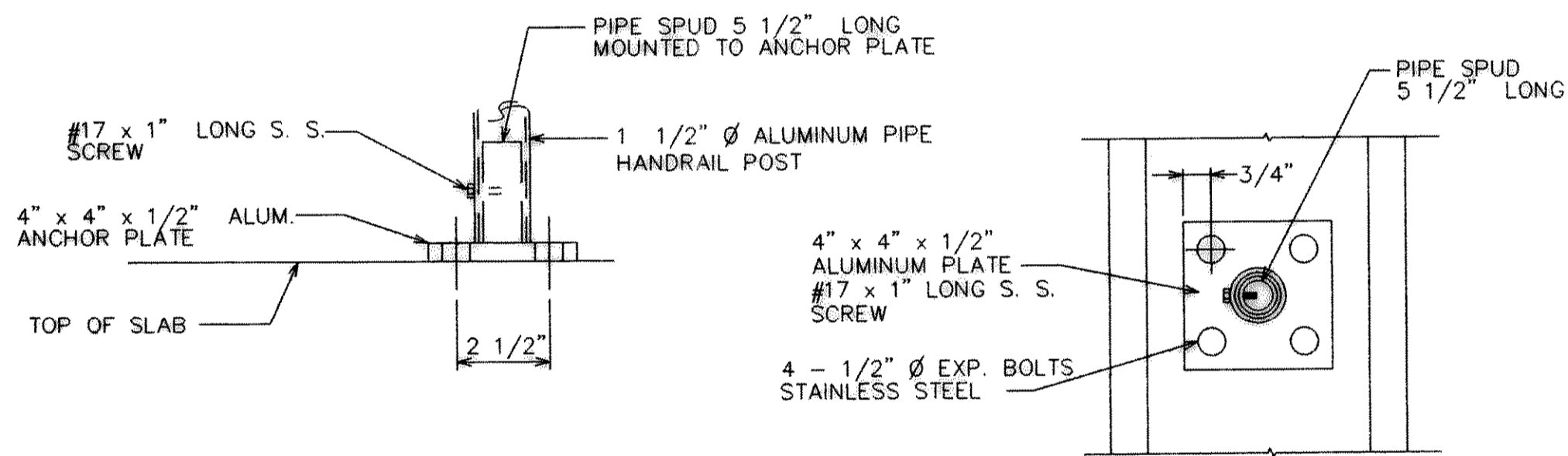
CONCRETE STAIR NOSING
NOT TO SCALE



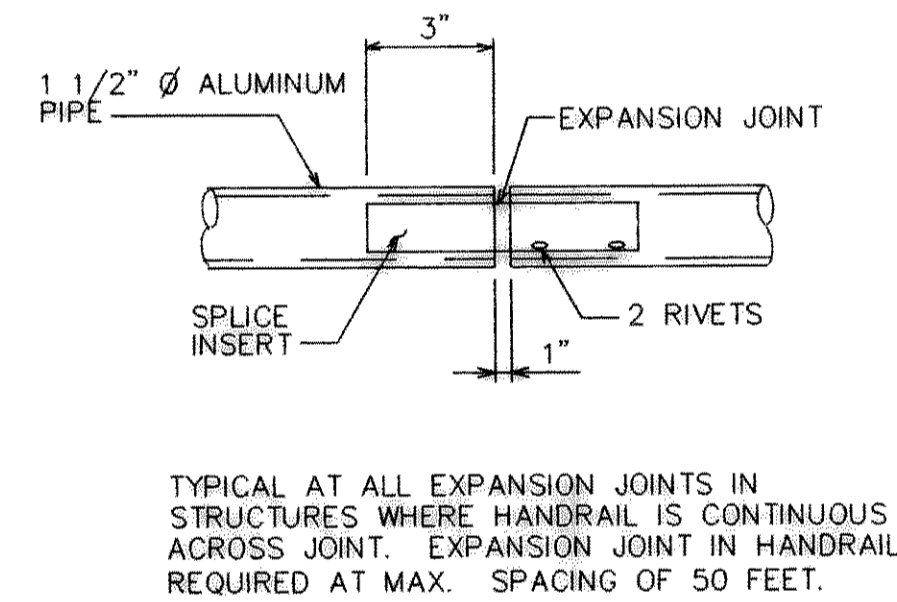
DETAIL "B"
SCALE: 1" = 1'-0"



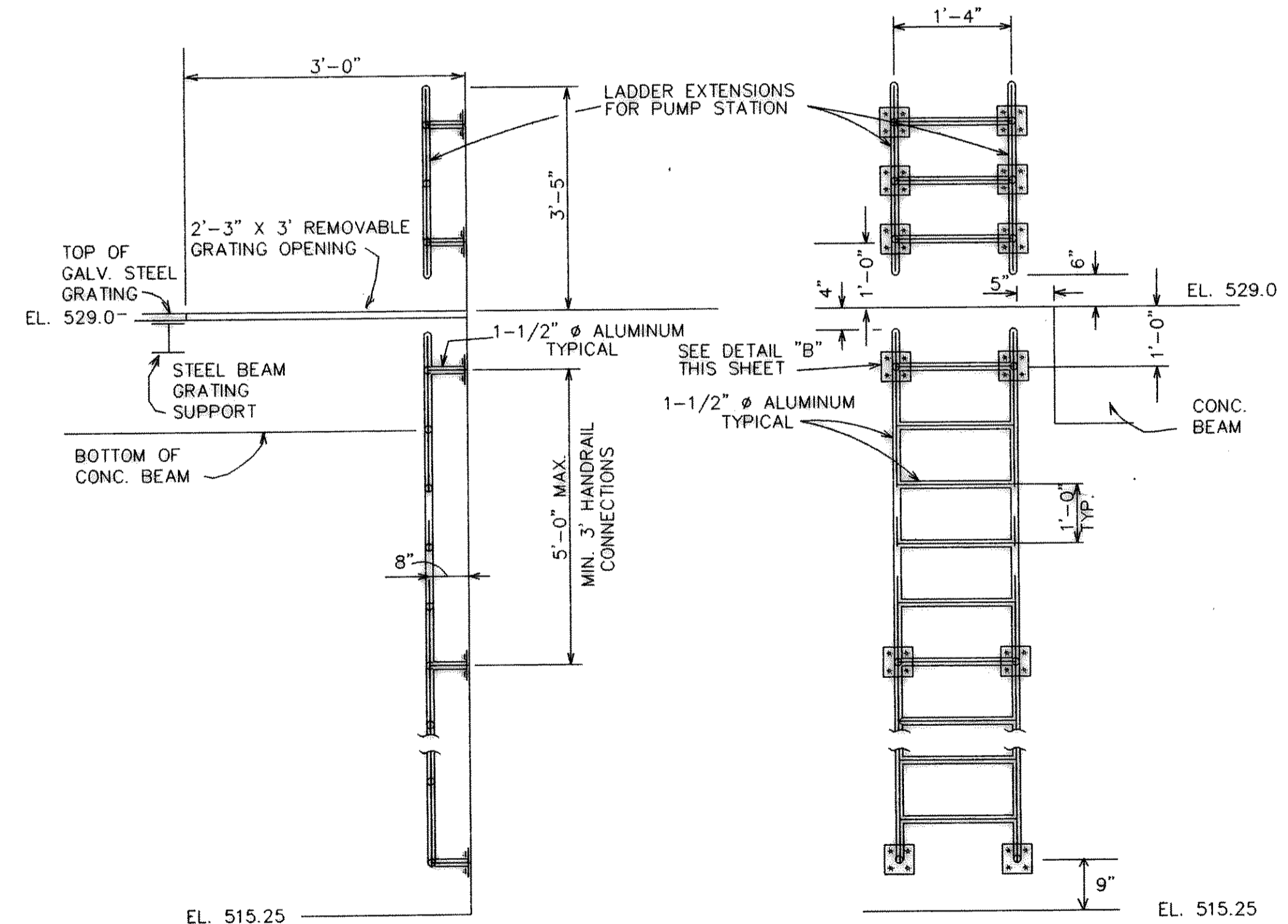
METER VAULT LADDER DETAILS
SCALE: 1/2" = 1'-0"



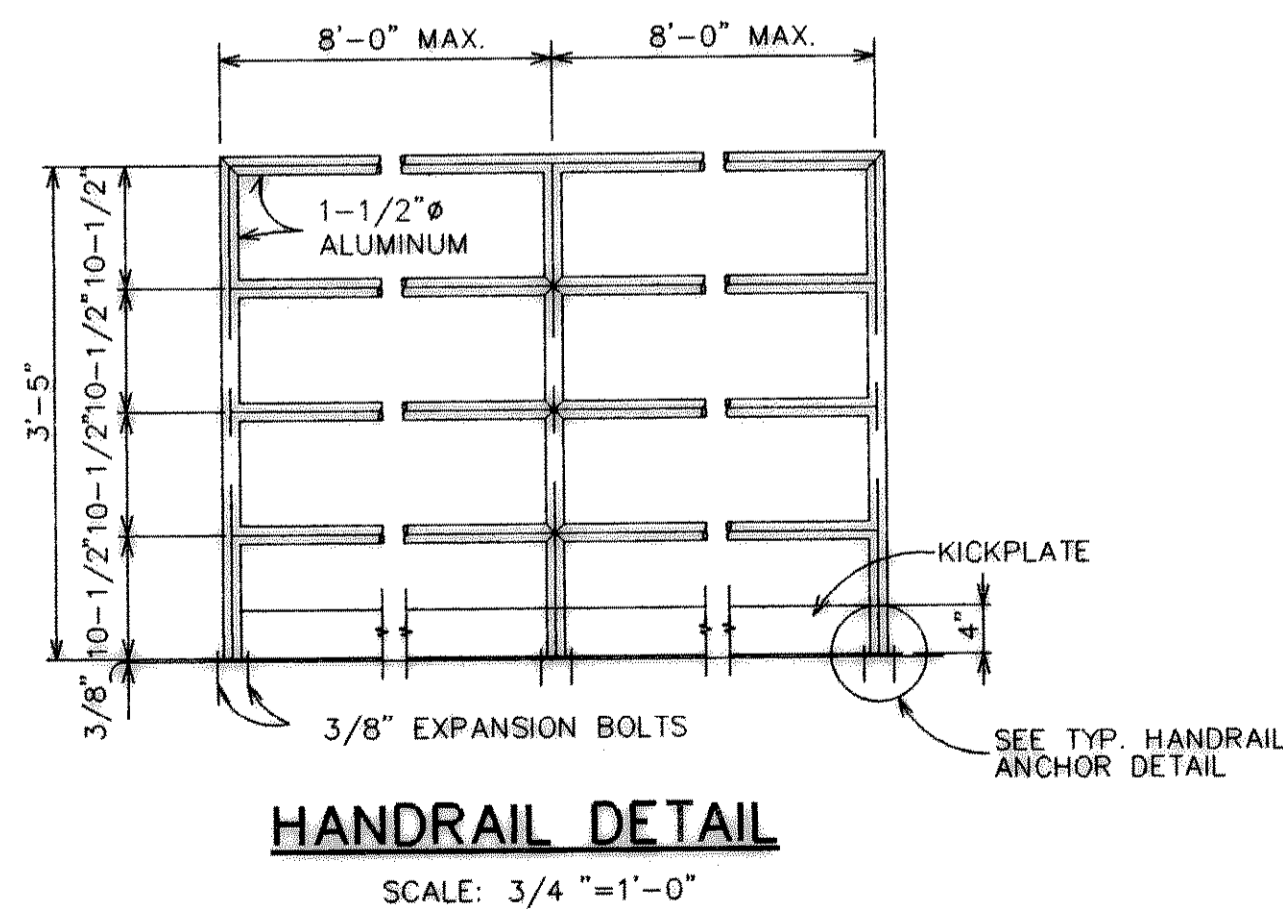
TYPICAL HANDRAIL ANCHOR



HANDRAIL EXPANSION JOINT
NOT TO SCALE



PUMP STATION LADDER DETAILS
SCALE: 1/2" = 1'-0"



HANDRAIL DETAIL
SCALE: 3/4" = 1'-0"

RECORD DRAWING
BASED ON INFORMATION
SUPPLIED BY THE CONTRACTOR
DATE: 10/2/92 BY: LDS



THE SEAL APPEARING ON THIS DOCUMENT WAS AUTHORIZED BY LARRY D. SCHUELEIN, TEXAS P.E. No. 42247 ON NOV. 19, 1990