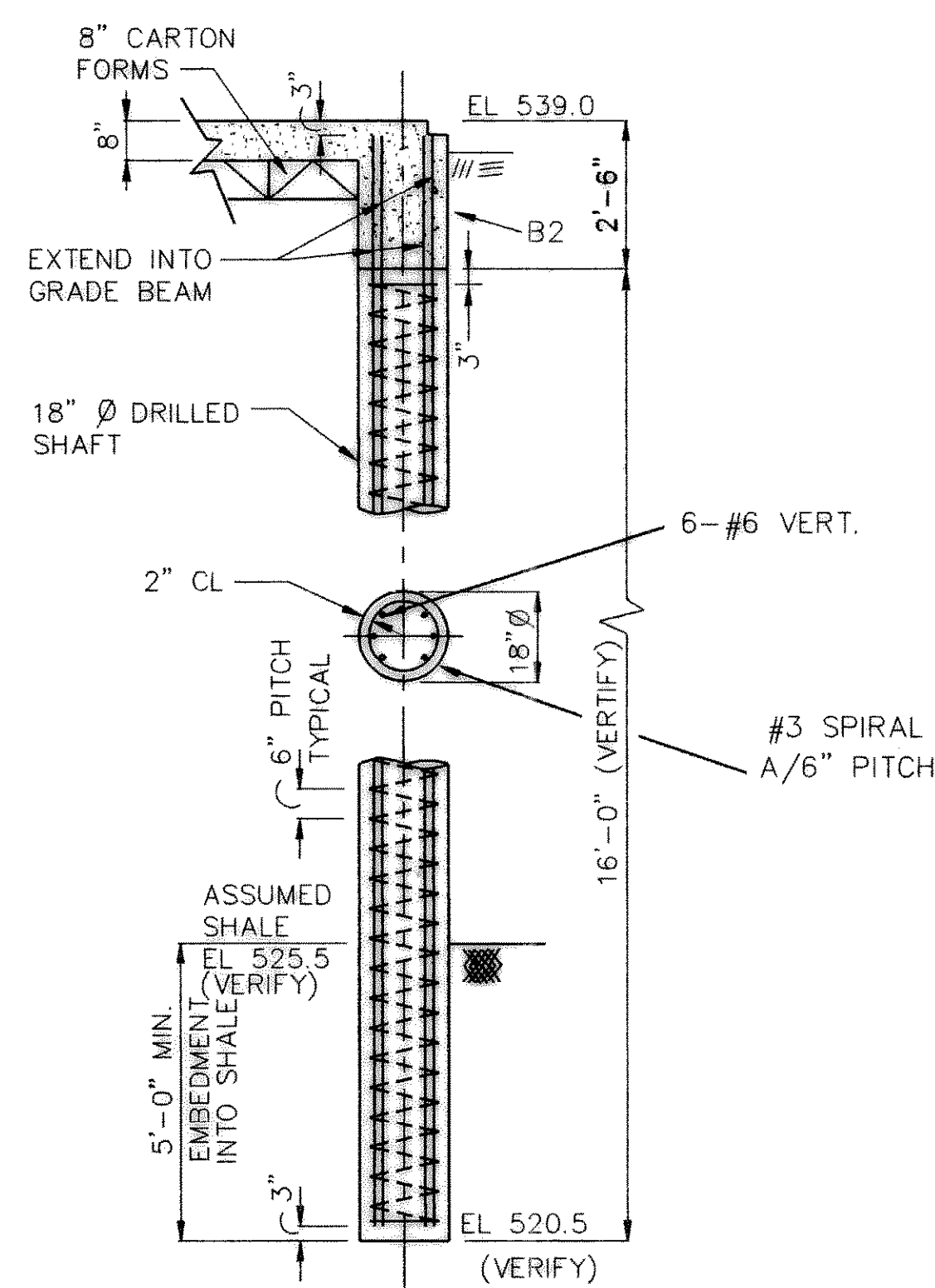
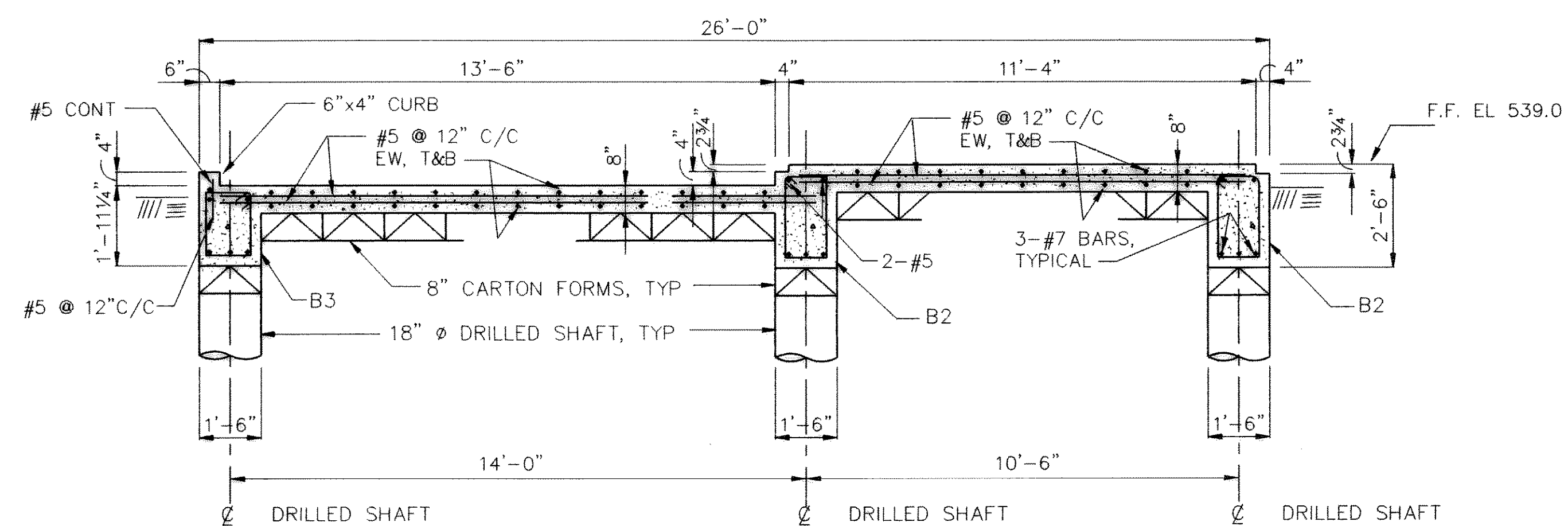


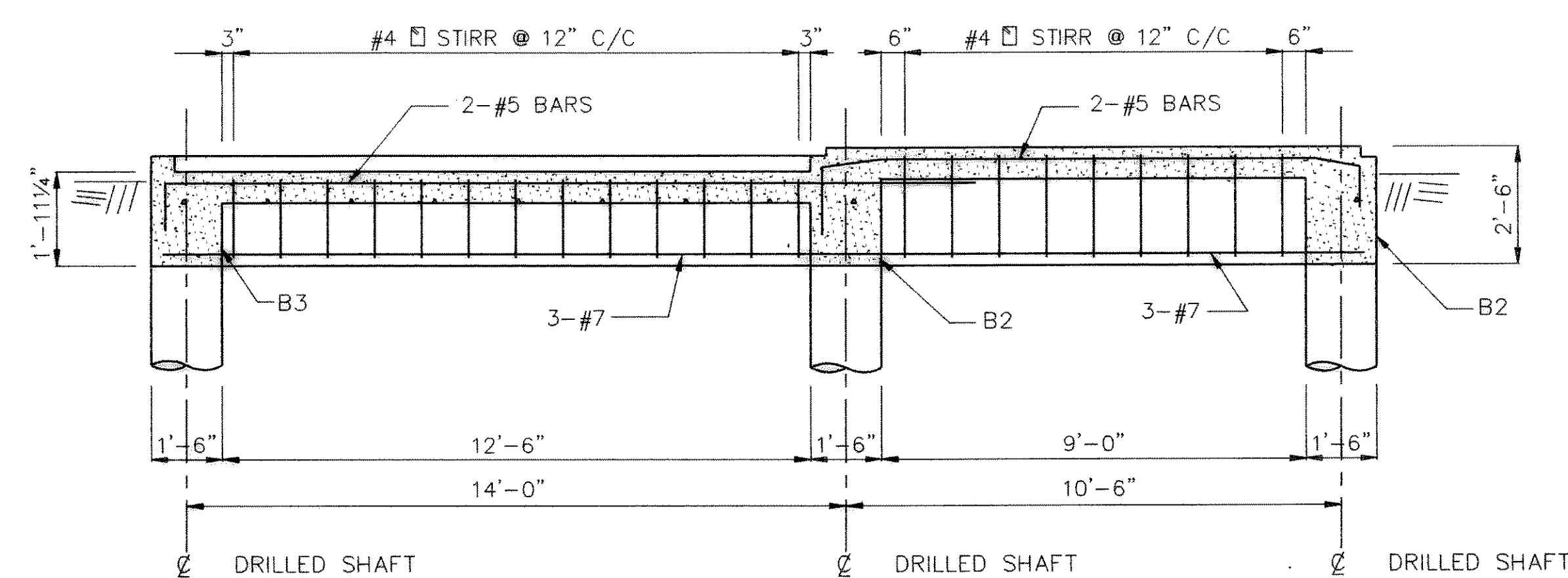
FOUNDATION PLAN
SCALE: 3/8" = 1'-0"



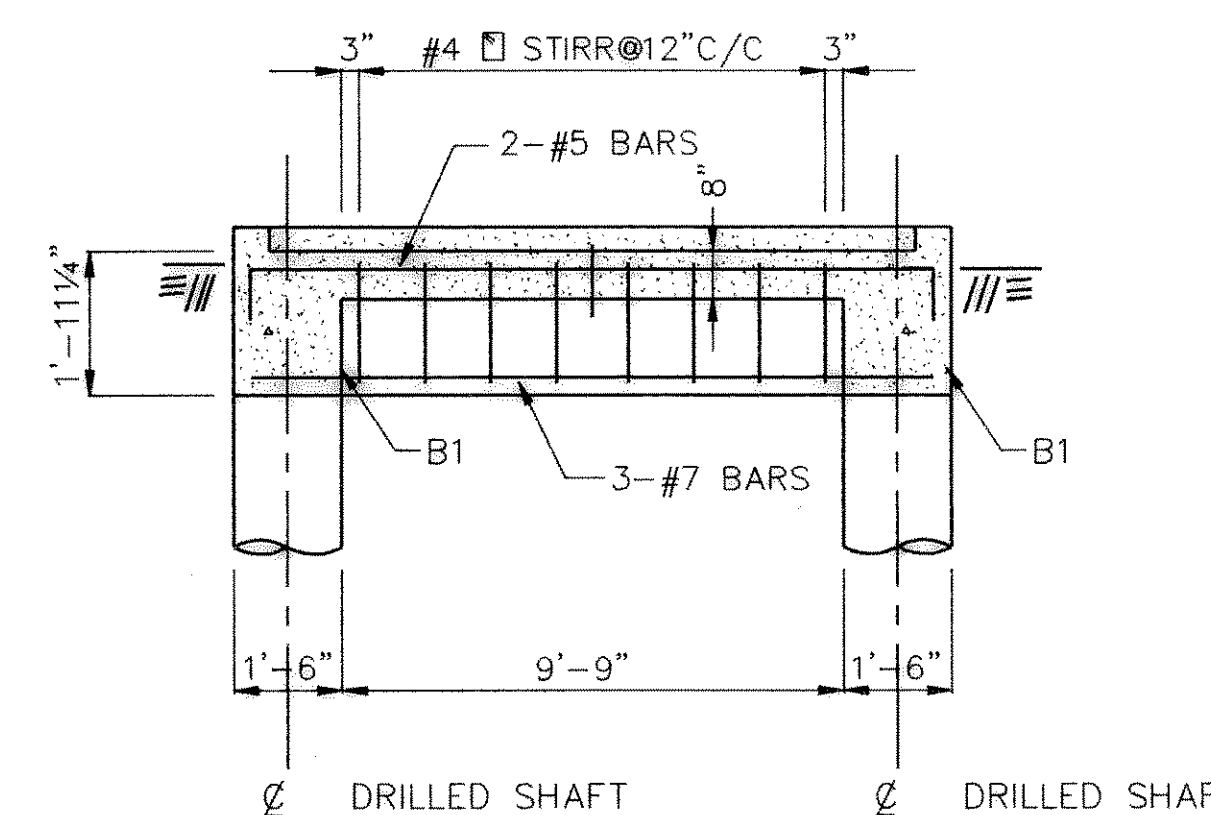
DETAIL TYPICAL DRILLED SHAFT
SCALE: 3/8" = 1'-0"



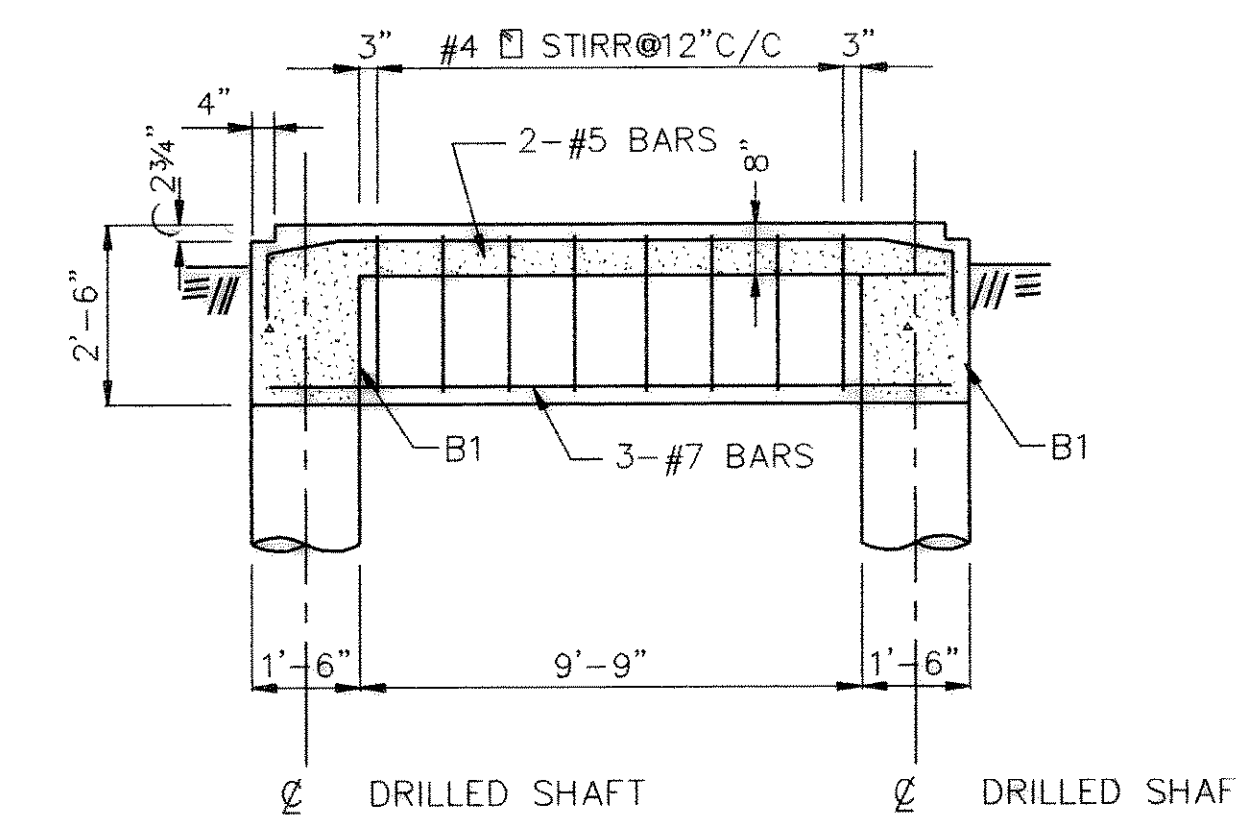
SECTION
SCALE: 3/8" = 1'-0"



ELEVATION BEAM B1
SCALE: 3/8" = 1'-0"



ELEVATION BEAM B3
SCALE: 3/8" = 1'-0"



ELEVATION BEAM B2
SCALE: 3/8" = 1'-0"

RECORD DRAWING
BASED ON INFORMATION
SUPPLIED BY THE CONTRACTOR
DATE: 10/2/92 BY: LDS

