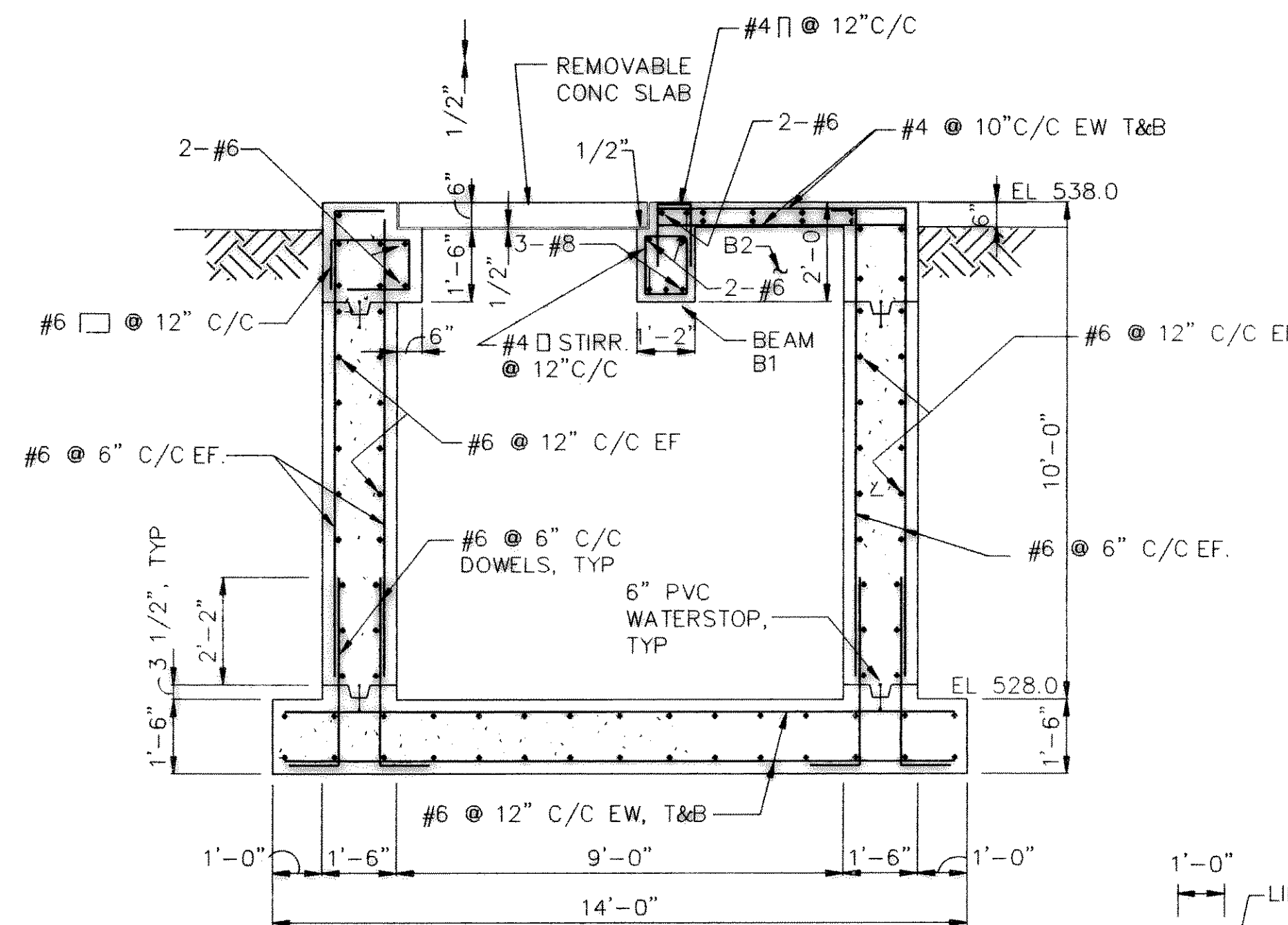
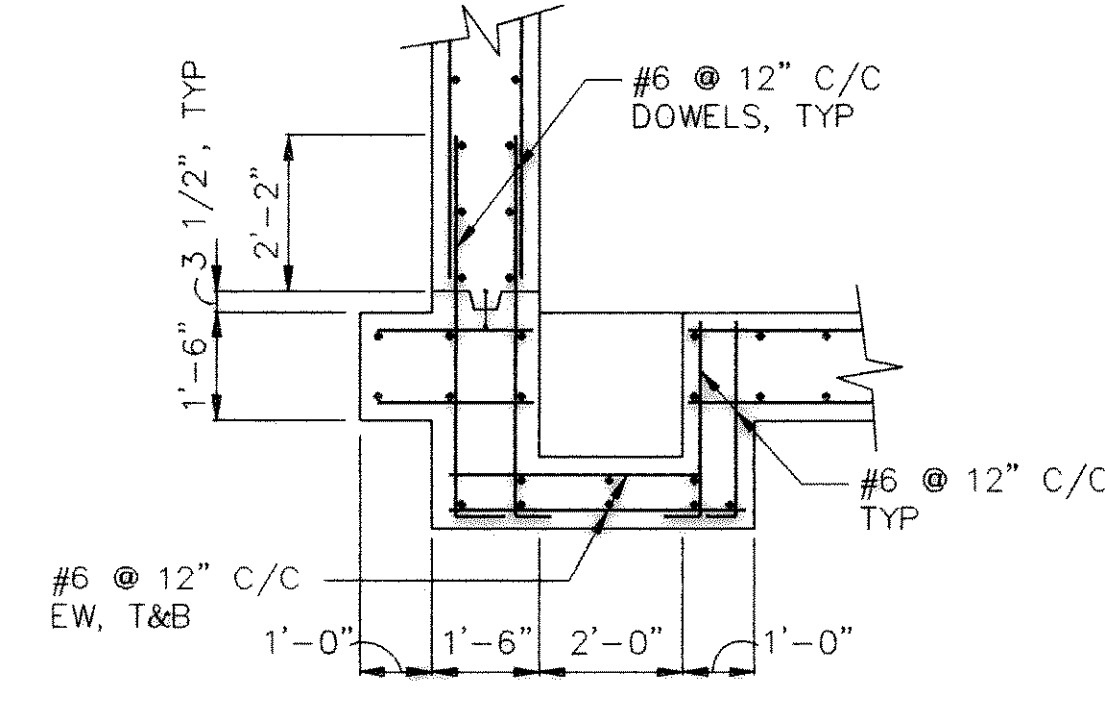


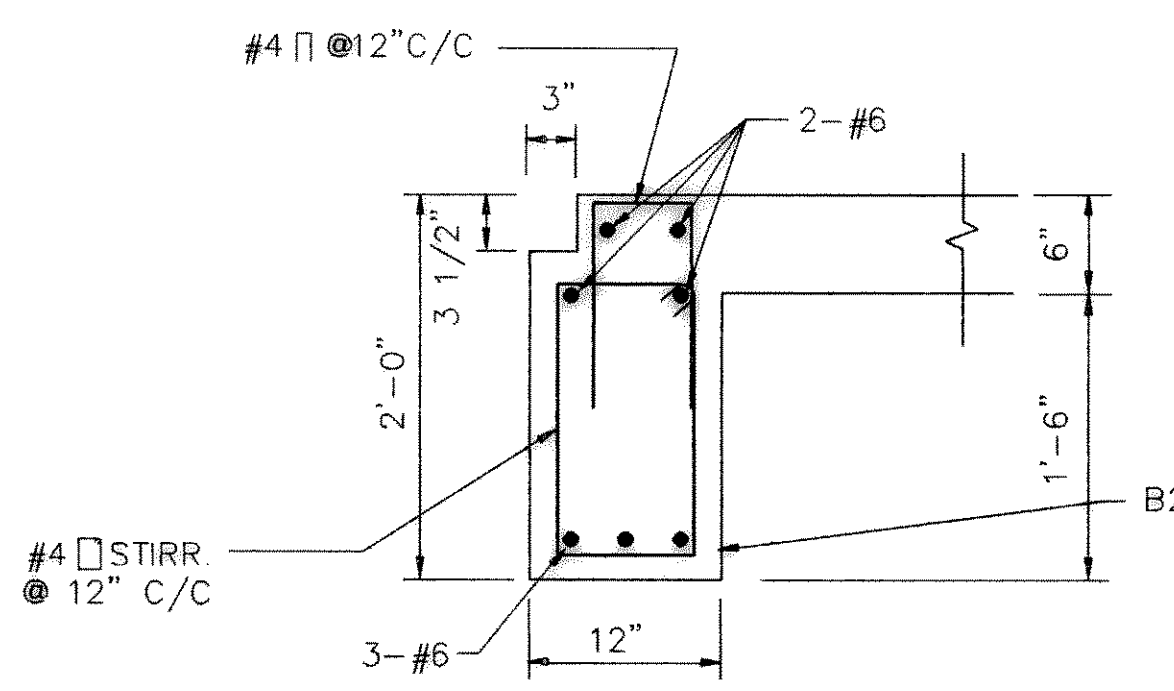
**TOP PLAN**  
SCALE: 3/8" = 1'-0"



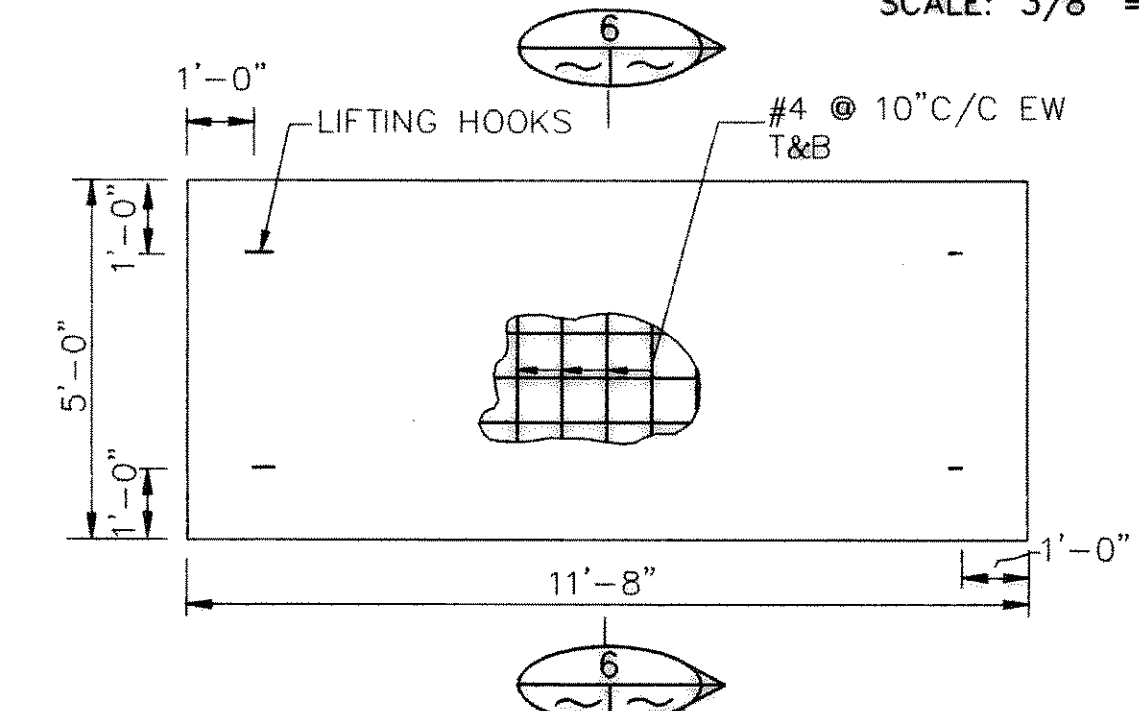
**SECTION 1**  
SCALE: 3/8" = 1'-0"



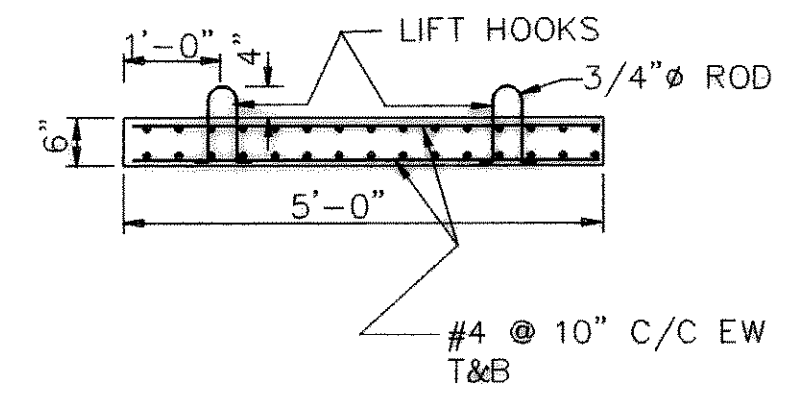
**SECTION 3**  
SCALE: 3/8" = 1'-0"



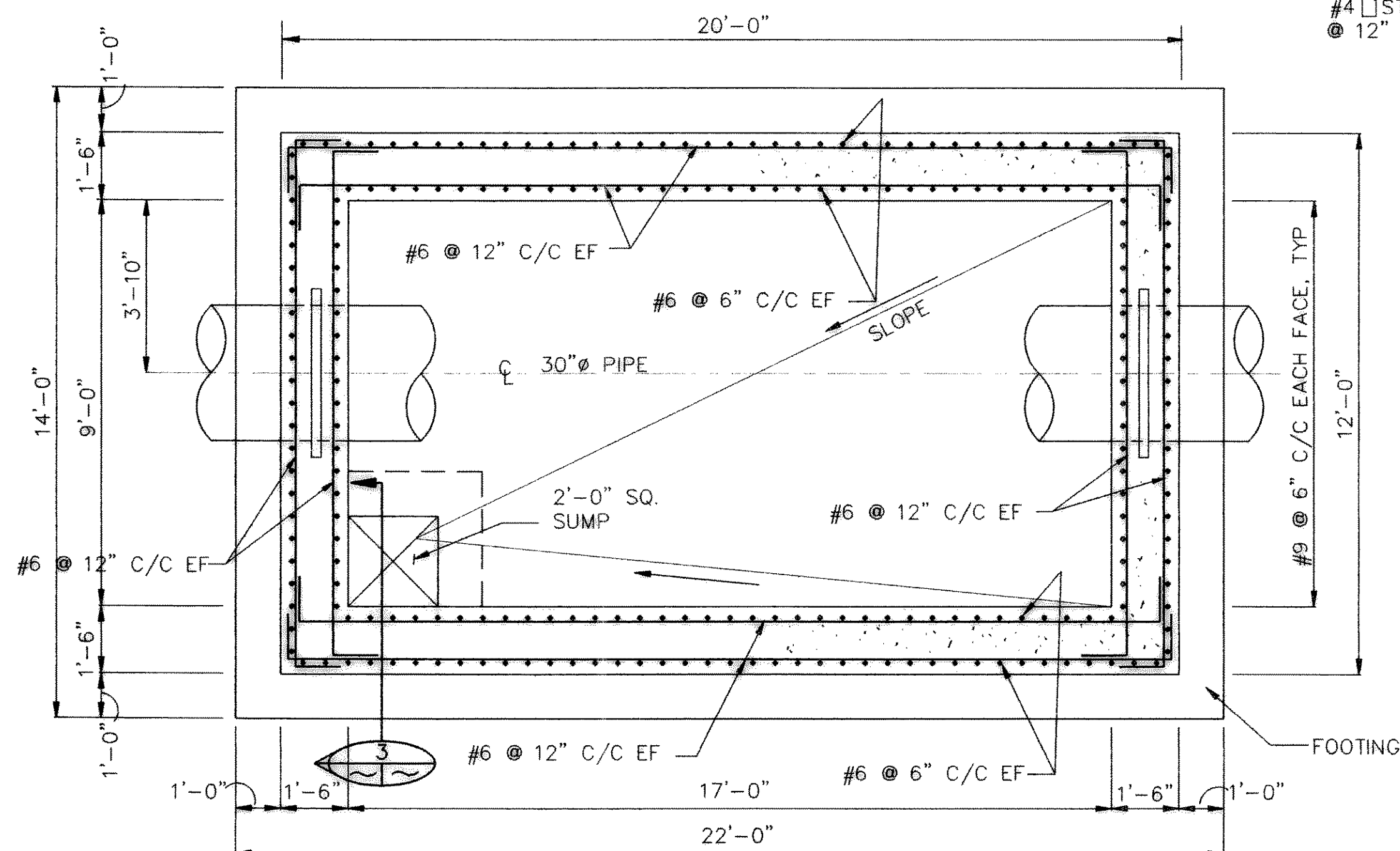
**SECTION 4**  
SCALE: 1" = 1'-0"



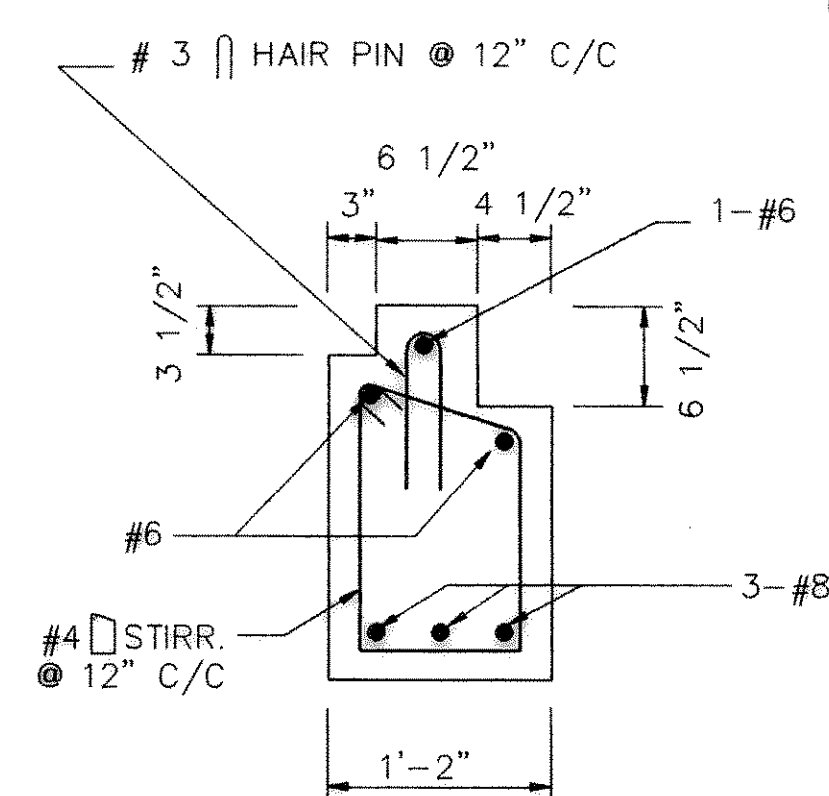
**PLAN-REMOVABLE PRECAST CONC. SLAB**  
SCALE: 3/8" = 1'-0"



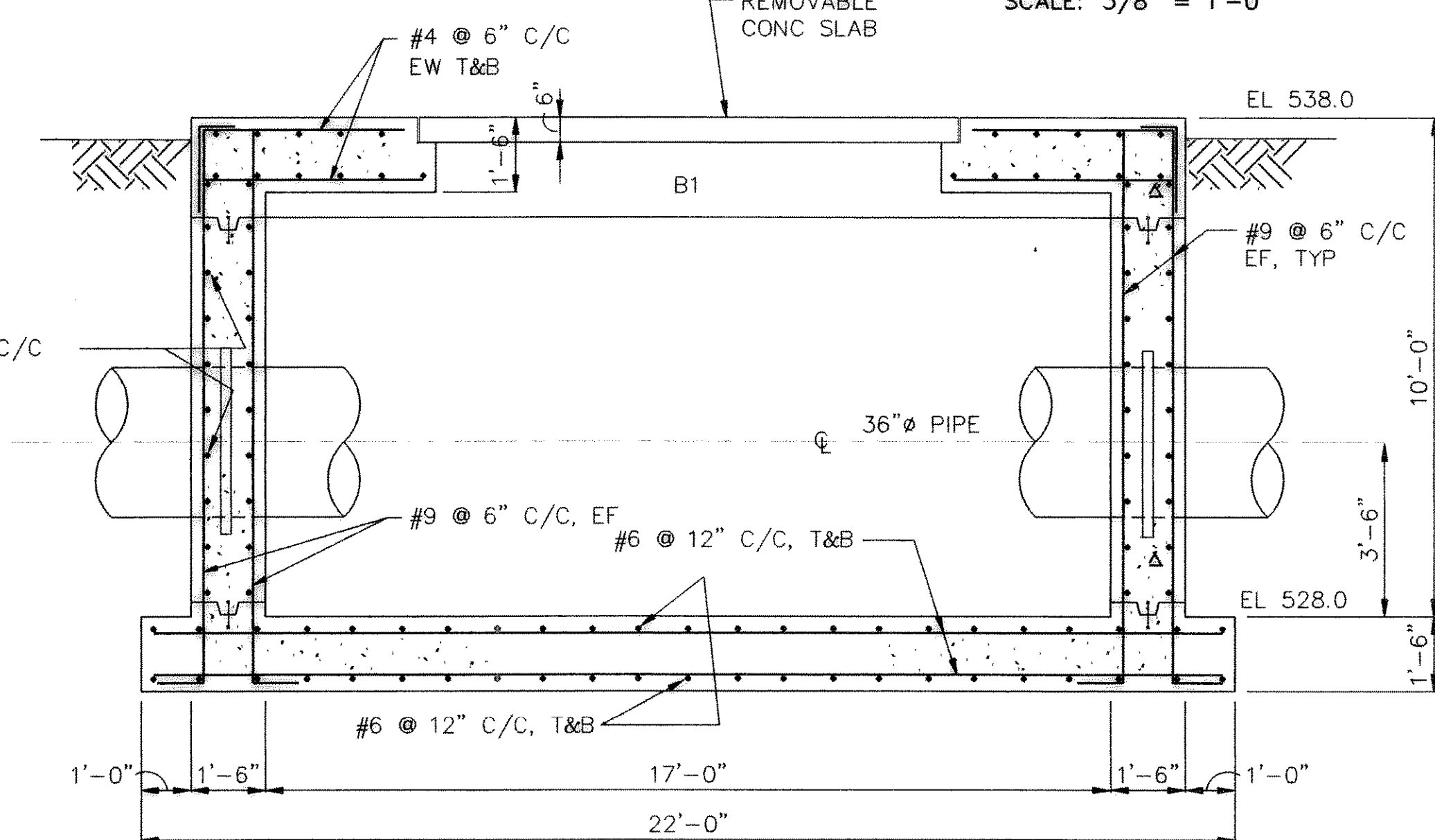
**SECTION 6**  
SCALE: 1/2" = 1'-0"



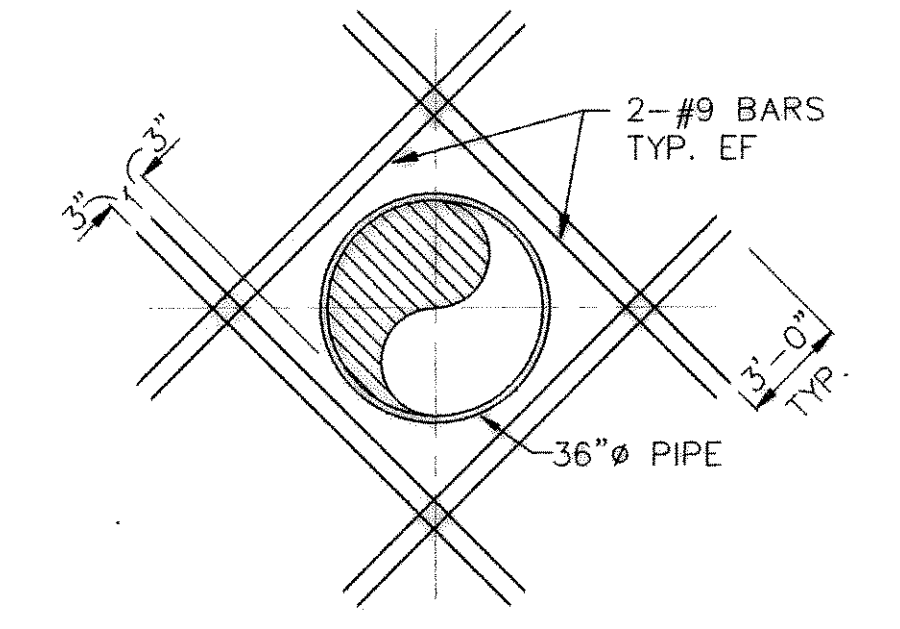
**FLOW METER VAULT SECTIONAL PLAN**  
SCALE: 3/8" = 1'-0"



**SECTION 5**  
SCALE: 1" = 1'-0"



**SECTION 2**  
SCALE: 3/8" = 1'-0"



**ADDITIONAL REINF. AT OPENINGS**  
NOT TO SCALE

**RECORD DRAWING**  
BASED ON INFORMATION  
SUPPLIED BY THE CONTRACTOR  
DATE: 10/2/92 BY: LDS



ACAD File 12  
ROKDWG20.DWG  
OCT 2, 1992 8:59:12 AM

DATE	REVISION	DESIGNED	JOB NO. ROK89005
		DRAWN	DATE 11/19/90
		TRACED	SCALE AS SHOWN
		CHECKED	

**FREESE AND NICHOLS, INC.**  
CONSULTING ENGINEERS  
FORT WORTH - ARLINGTON - AUSTIN, TEXAS

CITY OF ROCKWALL, TEXAS  
**EASTSIDE PUMP STATION**

STRUCTURAL  
**FLOW METER VAULT**

**SHEET**  
20 OF 39